



# FLUSHING TECHNOLOGY

product  
catalogue  
2023







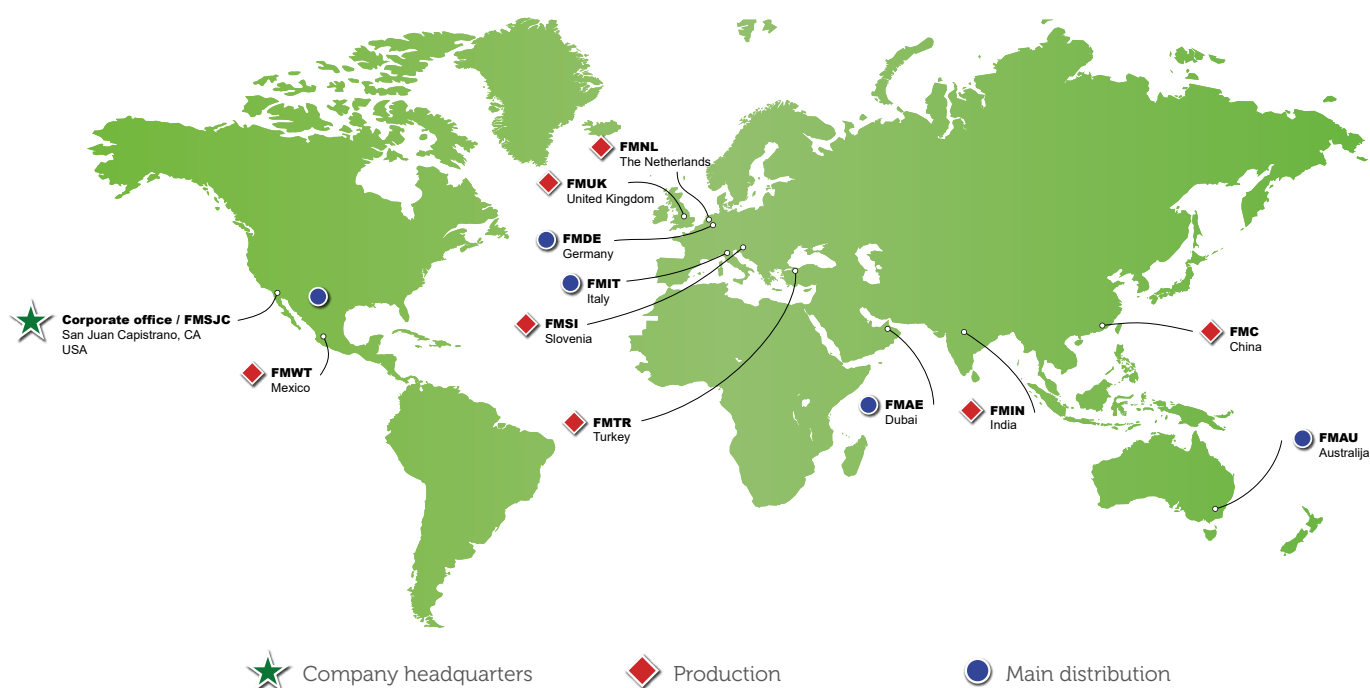
## COMPLETE RANGE OF SANITARY SOLUTIONS

Fluidmaster is a global supplier of an extensive range of sanitary solutions, actively sold under the Fluidmaster®, LIV®, SCHWAB® and WISA® brands.

The enduring strength of Fluidmaster is based upon our never-ending focus on customer satisfaction and innovation in all that we do. We believe this focused and strategic approach to global growth is the best way to expand our footprint on a market-by-market basis as well as to support our manufacturing, distribution and business partners worldwide.

Through our recognized strong brands, now enhanced with Fluidmaster flushing technology, we provide a complete range of high-quality concealed and exposed cisterns, smart sanitary solutions, flushing plates and contact-less flushing systems, urinal, washbasin and bidet frames, shower drains, discharge valves and traps, sanitary ceramics, toilet seats, fill and flush valves, connecting elements, spare parts as well as many other accessories for bathrooms or sanitary environment.

Discover the world of innovative solutions.





# BEAUTIFUL POWER OF WATER

---

## TABLE OF CONTENTS

---

### 9 CONCEALED SYSTEMS

---

LIV-FIX FLUSHING ELEMENTS	11
SPECIAL-PURPOSE FLUSHING ELEMENTS	14
VARIOTRONIC	17
LIV-FIX ELEMENTS FOR URINALS	19
LIV-FIX ELEMENTS FOR WASHBASINS	22
LIV-FIX ELEMENTS FOR BIDETS	24
OTHER LIV-FIX ELEMENTS	25
LIV-FIX ACCESSORIES	28
LIV-MOUNT FLUSHING ELEMENTS	32
CONCEALED FLUSHING SYSTEMS	35
ACCESSORIES	37

---

### 39 FLUSHING PLATES AND NON-CONTACT FLUSHING SYSTEMS

---

FLUSHING PLATES FOR CONCEALED FLUSHING CISTERNS 7512/7522, 9052 AND 9012	41
FLUSHING PLATES FOR CONCEALED FLUSHING CISTERNS 3800 AND 380	47
FLUSHING PLATES FOR CONCEALED FLUSHING CISTERNS 6052	55
ACCESSORIES	59
FLUSHING PLATES FOR URINALS	62
NON-CONTACT (IR) FLUSHING SYSTEMS	64

---

### 69 EXPOSED FLUSHING CISTERNS

---

DUAL FLUSHING	71
START-STOP FLUSHING	73
NON-CONTACT (IR) FLUSHING	77
ACCESSORIES FOR EXPOSED FLUSHING SYSTEMS	78

---

### 81 FILL AND FLUSH VALVE

---

FILL VALVES	82
FLUSH VALVES	84
VALVE KITS	85

---

### 87 TOILET SEATS

---

TOILET SEATS	89
HINGES	91
BUFFERS	91

---

### 93 CONNECTING ELEMENTS

---

FLUSHING PIPES	94
WC CONNECTIONS	97
WC DISCHARGE ELBOWS	100
FLEXIFONS	102

---

### 103 LINEAR SHOWER DRAINS

---

LINEAR SHOWER DRAINS	107
GRIDS	112
ACCESSORIES	113

---

### 115 DISCHARGE VALVES AND TRAPS

---

DISCHARGE VALVES	118
TRAPS FOR SINKS - SINGLE	120
TRAPS FOR SINKS - DUAL	123
SPECIALLY DESIGNED TRAPS FOR SINKS	125
DEDICATED SANITARY TRAPS	133

---

### 135 SPARE PARTS

---

CONCEALED FLUSHING SYSTEMS	137
EXPOSED FLUSHING CISTERNS	145
OTHER SPARE PARTS AND ACCESSORIES	151
TRAPS	158



LIV sanitary ware products are highly functional products produced with durability and the natural environment in mind. They are distinguished by their improved design, elegant shape, high-quality materials and easy installation.

The perfectly designed and useful products combine modern design and technical trends as well as natural materials.

LIV products complement any bathroom as they are developed with you – our users - in mind as well as your satisfaction.

# **ADVANTAGES OF FLUSHING CISTERNS LIV**



Combined Slovenian knowledge and excellent quality of our products that we have been producing and marketing since 1954.



Reliable operation with long guarantee period: 10 years guarantee for concealed and exposed flushing cisterns.



25 years of original spare parts availability for concealed and exposed flushing cisterns.



Frame bearing capacity up to 400 kg (according to NF standard)



Perfectly insulated flushing cisterns with extremely silent filling valve enable remarkably silent function.



LIV products enable very quick and simple installation, suitable for different bathroom ambience and very flexible when speaking about installation methods. Water connection is possible on the left side, the right side or the middle of the back.



LIV flushing cisterns are equipped with dual flushing technique, thus contributing to a more responsible use of drinking water.



Moisture free: flushing cistern are made of high quality material and insulated against condensation.



High endurance: endurance test of the flushing cistern is 200,000 cycles, alternating operation of large and small water flush (according to the requirements of the standards NF 076 and EN 14055).



LIV products are designed in accordance with the latest trends regarding equipment for bathroom and sanitary facilities which includes both mounting solutions that contribute to facilitating the maintenance of excellent purity as well as the use of nature and human friendly materials.



Sanitary electronics represent the best solution hygiene issues. With LIV no-contact flushing system, we are offering you the solution - a particularly sensitive sensor detects the movement of your hands or body.





# 9 CONCEALED SYSTEMS

The concealed systems line is the perfect choice for bathroom and sanitary facilities equipment. Economical and noiseless cistern which ensures outstanding performance. A rich offer of flushing plates it is aesthetically customised to match with the environment according to your wishes.

11	LIV-FIX FLUSHING ELEMENTS
14	SPECIAL-PURPOSE FLUSHING ELEMENTS
17	VARIOTRONIC
19	LIV-FIX ELEMENTS FOR URINALS
22	LIV-FIX ELEMENTS FOR WASHBASINS
24	LIV-FIX ELEMENTS FOR BIDETS
25	OTHER LIV-FIX ELEMENTS
28	LIV-FIX ACCESSORIES
32	LIV-MOUNT FLUSHING ELEMENTS
35	CONCEALED FLUSHING CISTERNS
37	ACCESSORIES



# LIV-FIX FLUSHING ELEMENTS

## SOLUTION FOR DIFFERENT SPACE REQUIREMENTS

INSTALL.		LIV-FIX FLUSHING ELEMENTS						
		7522	9012	9052	3800	6052	380	XS 380 SSF
plaster boards		■	■	■	■	■	■	■
light walls		■	■	■	■	■	■	■
for the wall		■	■	■	■	■	■	■
angular		■	■	■	■			■



Identifikacijska številka: 674518  
Packaging: 24 pcs/pallet



### LIV-FIX WC 7522 DWC PREMIUM

#### Installation method

Installation in prefabricated walls, pre-wall installation in dry walls, universal installation into solid walls

#### Properties

Supporting, blue powder coated WC element, square profile 40 x 40 mm with pre-assembled concealed flushing cistern 7522  
Frontal flushing, dual flushing (3/6 l)  
Adjustable flushing volume (large quantity of water 5/6/7 l, small quantity of water 3/4 l)  
Pre-assembled wall brackets and adjustable support legs (0-200 mm)  
Water connection possibility in four positions  
Fully insulated against condensation

#### Special features

Silent mechanical filling valve (noise emission class 1 ISO 3822)  
Subsequent shower toilet seat water connection option  
Connecting hose for connection to a shower toilet (18 m<sup>3</sup>/h)  
Support legs, equipped with a brake for easier installation, rotating foot plate (90°)  
Depth adjustable drain elbow (+/- 20 mm)

#### The product contains

Concealed flushing cistern equipped with pre-assembled angle valve – top center  
Water connection G 1/2  
Air extraction connection; Electrical connection box; Toilet bowl insulation; PE wall drain elbow Ø 90 mm with a seal; PE adapter reduction piece Ø 90/110 mm with a seal; Assembly template

### LIV-FIX WC 7522

#### Installation method

Installation in prefabricated walls, pre-wall installation in dry walls, universal installation into solid walls

#### Properties

Supporting, blue powder coated WC element, square profile 40 x 40 mm with pre-assembled concealed flushing cistern 7522  
Frontal flushing, dual flushing (3/6 l)  
Adjustable flushing volume (large quantity of water 5/6/7 l, small quantity of water 3/4 l)  
Pre-assembled wall brackets and adjustable support legs (0-190 mm)  
Water connection possibility in four positions  
Fully insulated against condensation

#### Special features

Silent mechanical filling valve (noise emission class 1 ISO 3822)  
Depth adjustable drain elbow (+/- 20 mm)

#### The product contains

Concealed flushing cistern equipped with pre-assembled angle valve – top center  
Water connection G 1/2  
PE wall drain elbow Ø 90 mm with a seal  
PE adapter reduction piece Ø 90/110 mm with a seal  
Assembly template  
All parts required for installation and mounting are supplied with the product

Identification No.: 674512  
Packaging: 24 pcs/pallet



All parts required for installation and mounting are supplied with the product

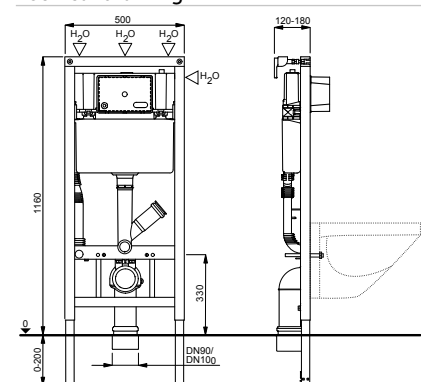
The flushing plate needs to be ordered separately  
CE EN 14055 - CL1 - 6 - NL I - VR I

#### Possible installation of flushing plates:

page 41-46



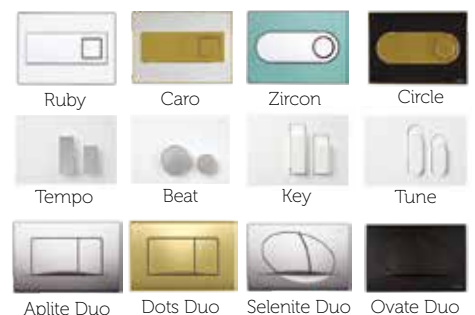
#### Technical drawing



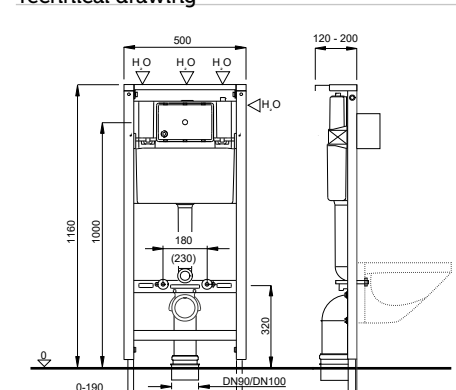
The flushing plate needs to be ordered separately

#### Possible installation of flushing plates:

page 41-46



#### Technical drawing



3 1838912 061669



3 1838912 061096



3 1838912 027214



### LIV-FIX WC 9012

#### Installation method

Installation in prefabricated walls, pre-wall installation in dry walls, universal installation into solid walls

#### Properties

Supporting, blue powder coated WC element, square profile 40 x 40 mm with pre-assembled concealed flushing cistern 9012  
 Frontal flushing, dual flushing (3/6 l)  
 Adjustable flushing volume (large quantity of water 6/9 l, small quantity of water 3/4,5 l)  
 Pre-assembled wall brackets and adjustable support legs (0-190 mm)  
 Water connection possibility in two positions  
 Fully insulated against condensation

#### Special features

Silent mechanical filling valve (noise emission class 1 ISO 3822)

#### The product contains

Concealed flushing cistern with a pre-mounted angle valve – top right  
 Water connection G1/2  
 PE wall drain elbow Ø 90/110 mm with a seal  
 All parts required for installation and mounting are supplied with the product

Option: Installation of Celestine, IR flushing plate

The flushing plate needs to be ordered separately

Identification No.: 601259

Packaging: 24 pcs/pallet



DW 4541B00543



3 1838912 020222



### LIV-FIX WC 9052

#### Installation method

Installation in prefabricated walls, pre-wall installation in dry walls, for a universal solid universal installation into solid walls

#### Properties

Supporting, blue powder coated WC element, square profile 40 x 40 mm with pre-assembled flushing cistern 9052  
 Frontal flushing, dual flushing (3/9 l)  
 Adjustable flushing volume (a large quantity of water 7-9 l, small quantity of water 3-6 l)  
 Pre-mounted fixing elements and adjustable support legs (0-190 mm)  
 Water connection – top center  
 Fully insulated against condensation

#### Special features

Silent mechanical filling valve (noise emission class 1 ISO 3822)  
 Depth adjustable drain elbow (± 20 mm)

#### The product contains

Concealed flushing cistern equipped with pre-mounted angle valve – top center  
 Water connection G 1/2  
 PE wall drain elbow Ø 90 mm with a seal  
 PE adapter reduction piece Ø 90/110 mm with a seal  
 All parts required for installation and mounting are supplied with the product

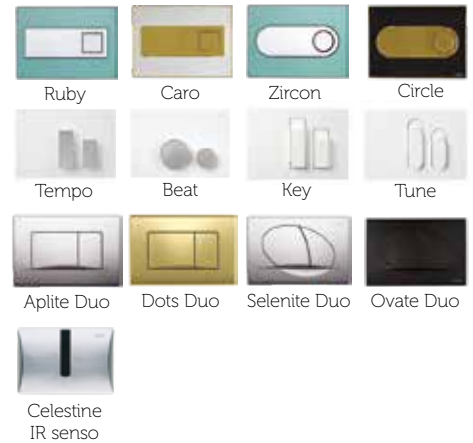
Identification No.: 351870

Packaging: 24 pcs/pallet

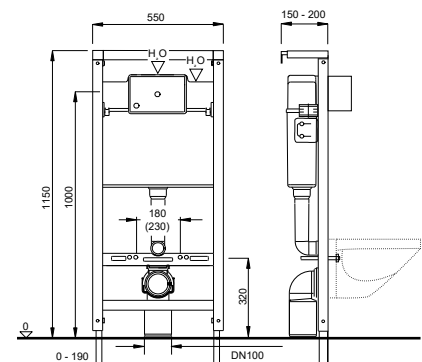


#### Possible installation of flushing plates:

page 41-46, 64



#### Technical drawing



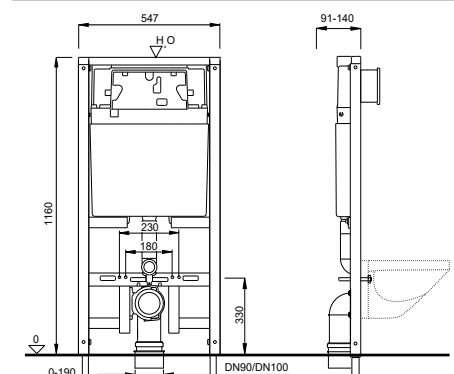
The flushing plate needs to be ordered separately

#### Possible installation of flushing plates:

page 41-46



#### Technical drawing





Identification No.: 7030452701  
Packaging: 28 pcs/pallet



### LIV-FIX TOILET 3800

#### Installation method

Installation in prefabricated walls, pre-wall installation in dry walls, universal installation into solid walls

#### Properties

Supporting, blue powder coated WC element, square profile 40 x 40 mm with pre-assembled concealed flushing cistern 3800  
Frontal flushing, start-stop flushing (6 l) or dual flushing (3/6 l)  
Adjustable flushing volume between 6 and 7,5 l  
Pre-mounted fixing elements and flexible support legs (0-200 mm)  
Water connection possibility in four positions  
Fully insulated against condensation

#### Special features

Silent hydraulic filling valve (noise emission class 1 ISO 3822)  
Depth adjustable drain elbow ( $\pm 20$  mm)

#### The product contains

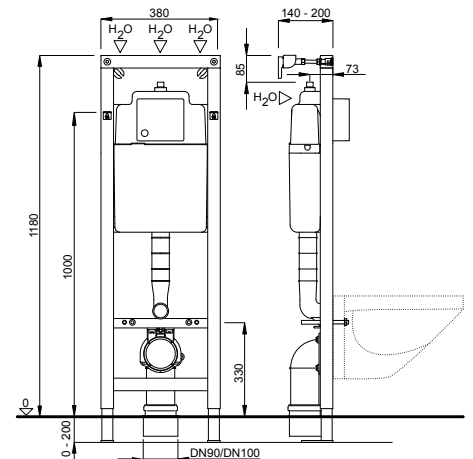
Concealed flushing cistern equipped with pre-mounted angle valve – top center  
Water connection G 1/2  
PE wall drain elbow  $\varnothing 90$  mm with a seal  
PE eccentric adapter reduction piece  $\varnothing 90/100$  mm with a seal  
Assembly template  
All parts required for installation and mounting are supplied with the product

The flushing plate needs to be ordered separately

Possible installation of flushing plates:  
page 47-54



#### Technical drawing



### LIV-FIX TOILET 6052 83 cm

#### Installation method

Installation in pre-wall installation

#### Properties

Supporting, blue powder coated WC element, square profile 40 x 40 mm with pre-assembled flushing cistern 6052  
Top or frontal flushing, dual flushing (3/6 l)  
Flushing volume between 6 and 7,5 l  
Pre-mounted fixing elements and adjustable support legs (0-200 mm)  
Water connection – on the left side  
Fully insulated against condensation

#### Special features

A silent mechanical filling valve (noise emission class 1 ISO 3822)  
Suitable for pneumatic and mechanical flushing plates  
Depth adjustable drain elbow ( $\pm 20$  mm)

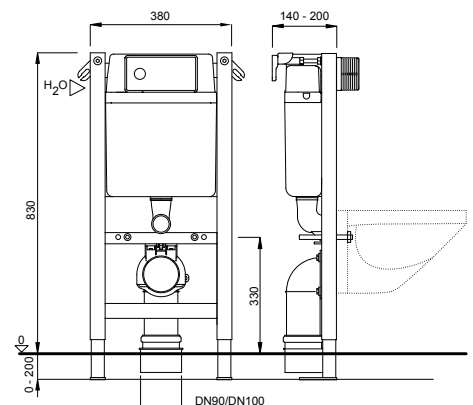
#### The product contains

Concealed flushing cistern with pre-assembled angle valve – on the left side  
Water connection G 1/2  
PE wall drain elbow  $\varnothing 90$  mm with seal  
PE eccentric adapter reduction piece  $\varnothing 90/100$  mm with a seal  
Assembly template  
All parts required for installation and mounting are supplied with the product

Possible installation of flushing plates:  
page 56-58



#### Technical drawing



Identification No.: 7030453003  
Packaging: 16 pcs/pallet



The flushing plate needs to be ordered separately



8 1711778 1216266



8 1711778 1216259



8 711778 121126



Identification No.: **8050452731**  
Packaging: 20 pcs/pallet



### XS WC 380 SSF

#### Installation method

Standalone element with 4 floor connectors (concrete)

#### Properties

Supporting, blue powder coated WC element, square profile 40 x 40 mm with pre-assembled concealed flushing cistern 380  
Frontal flushing, start-stop flushing (6 l) or dual flushing (3/6 l)  
Adjustable flushing volume between 6 and 7.5 l  
Adjustable support legs (0–200 mm)  
Water connection possibility in four positions  
Fully insulated against condensation

#### Special features

Silent hydraulic filling valve (noise emission class 1 ISO 3822)  
Depth adjustable drain elbow ( $\pm 20$  mm)

#### The product contains

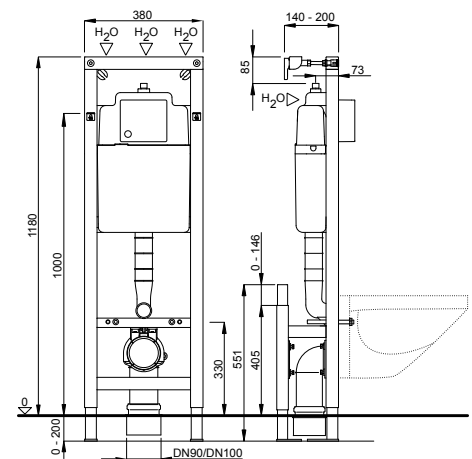
Concealed flushing cistern equipped with pre-assembled angle valve – top center  
Water connection G 1/2  
PE wall drain elbow  $\varnothing 90$  mm with a seal  
PE eccentric adapter reduction piece  $\varnothing 90/100$  mm with a seal  
Assembly template  
All parts required for installation and mounting are supplied with the product

The flushing plate needs to be ordered separately

Possible installation of flushing plates:  
page 47-54



#### Technical drawing



8 711778 213869



Identification No.: **4060452737**  
Packaging: 8 pcs/pallet



### DUPLO WC 380 L SP

#### Installation method

Element for pre-wall installation

#### Properties

Supporting, blue powder coated WC element, square profile 40 x 40 mm with pre-assembled flushing cistern 380  
Frontal flushing, start-stop flushing (6 l) or dual flushing (3/6 l)  
Adjustable flushing volume between 6 and 7.5 l  
Pre-mounted fixing elements and adjustable support legs (0–200 mm)  
Water connection possibility in four positions  
Fully insulated against condensation

#### Special feature

Silent hydraulic filling valve (noise emission class 1 ISO 3822)  
Side profiles with multiple connecting water-proof wooden boards – for supporting handles  
Depth adjustable drain elbow ( $\pm 20$  mm)

#### The product contains

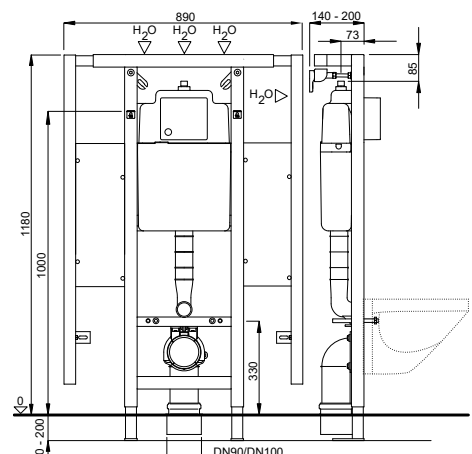
Concealed flushing cistern equipped with pre-assembled angle valve – top center  
Water connection G 1/2  
PE wall drain elbow  $\varnothing 90$  mm with a seal  
PE eccentric adapter reduction piece  $\varnothing 90/100$  mm with a seal  
Assembly template  
All parts required for installation and mounting are supplied with the product

The flushing plate needs to be ordered separately

Possible installation of flushing plates:  
page 47-54



#### Technical drawing





**DUPLO WC 380 VARIO**

**Installation method**

Installation in prefabricated walls, pre-wall installation in dry walls, universal installation into solid walls

**Properties**

Supporting, blue powder coated WC element, square profile 40 x 40 mm with pre-assembled flushing cistern Schwab 380 UP  
 Frontal flushing, start-stop flushing (6 l) or dual flushing (3/6 l)  
 Adjustable flushing volume between 6 and 7.5 l  
 Pre-mounted fixing elements and adjustable support legs (0–200 mm)  
 Water connection possibility in four positions  
 Fully insulated against condensation

**Special features**

Silent hydraulic filling valve (noise emission class 1 ISO 3822)  
 Variable height adjustment of the toilet (+ 100 mm) after completed pre-wall installation  
 Mounting height WC including the seat according to DIN 18040-1/DIN 18040-2: 460 – 480 mm  
 Depth adjustable drain elbow (+/-20 mm)

**The product contains**

Concealed flushing cistern equipped with pre-assembled angle valve – top center  
 Water connection G 1/2  
 PE wall drain elbow Ø 90 mm with a gasket  
 PE eccentric adapter reduction piece Ø 90/110 mm with a gasket  
 Set with Vario cover plate (PE)

Identification No.: 4060452735  
 Packaging: 14 pcs/pallet

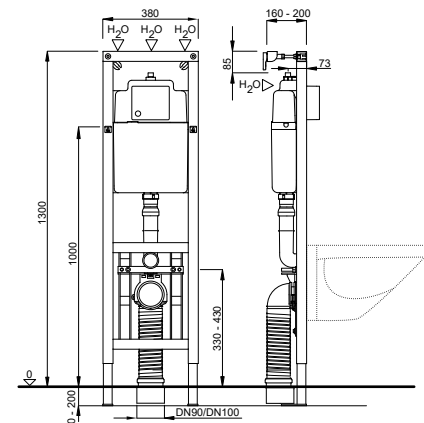


All parts required for installation and mounting are supplied with the product  
 The flushing plate needs to be ordered separately

**Possible installation of flushing plates:**  
 page 47-54



**Technical drawing**



**DUPLO WC 380 L VARIO SP**

**Installation method**

Element for pre-wall installation

**Properties**

Supporting, blue powder coated WC element, square profile 40 x 40 mm, with pre-assembled flushing cistern 380  
 Frontal flushing, start-stop flushing (6 l) or dual flushing (3/6 l)  
 Adjustable flushing volume between 6 and 7.5 l  
 Pre-mounted fixing elements and adjustable support legs (0–200 mm)  
 Water connection possibility in four positions  
 Fully insulated against condensation

**Special features**

Silent mechanical filling valve (noise emission class 1 ISO 3822)  
 Variable height adjustment of the toilet (+ 100 mm) after completed pre-wall installation  
 Toilet setting height including the seat according to DIN 18040-1/DIN 18040-2: 460–480 mm  
 Side profiles with multiple connecting water-proof wooden boards – for supporting handles  
 Depth adjustable drain elbow (± 20 mm)

**The product contains**

Concealed flushing cistern equipped with pre-assembled angle valve – top center  
 Water connection G 1/2  
 PE wall drain elbow Ø 90 mm with a seal  
 PE eccentric adapter reduction piece Ø 90/100 mm with a seal

Identification No.: 4060452738  
 Packaging: 8 pcs/pallet

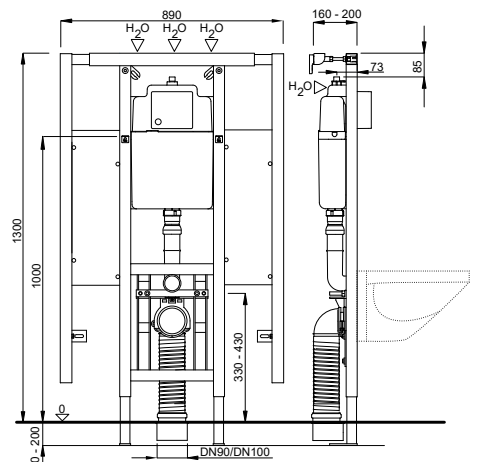


All parts required for installation and mounting are supplied with the product  
 Set with Vario cover plate (PE)  
 Flushing plate needs to be ordered separately

**Possible installation of flushing plates:**  
 page 47-54



**Technical drawing**



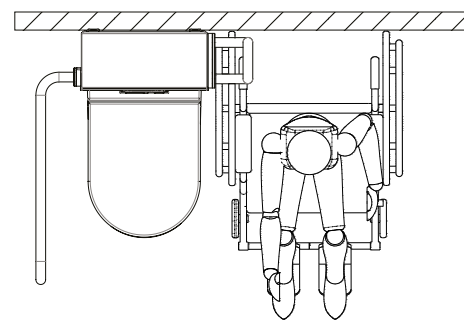


# VarioTronic

The height adjustable VarioTronic flushing cistern was designed specifically for:

- Hospitals and other healthcare facilities
- Residential houses with independent and comfortable lavatories
- Apartments for elderly people
- Nursing homes
- Rehabilitation centers

The seating and stand-up positions are extremely comfortable (18 cm higher than in standard toilets) and adjustable to meet specific user requirements.



*Wheelchair access display*





**VARIOTRONIC**

**Installation method**

Pre-wall system, electrically height adjustable and equipped with a concealed flushing cistern 380

**Properties**

Supporting, blue powder coated WC element, square profile 40 x 40 mm with pre-assembled concealed flushing cistern 380  
 Frontal flushing, dual flushing (3/6 l)  
 Adjustable flushing volume between 6 and 7.5 l  
 Pre-mounted fixing elements and adjustable support legs (0-200 mm)  
 Fully insulated against condensation

**Special features**

Silent hydraulic filling valve (noise emission class 1 ISO 3822)  
 Toilet height can be easily configured by 20 cm (-2 cm/+ 18 cm) using a remote control  
 The minimum upper edge height of wall-hung toilet bowl is 38 cm  
 The maximum upper edge height of wall-hung toilet bowl is 58 cm  
 Static load up to 400 kg  
 People up to 180 kg can be raised  
 The system is supplied with sides and top high-quality stainless steel plates  
 Front element is available in white HPL and in white or black tempered glass  
 Support handles are available in white or black colour

Identification No.: 8050482101

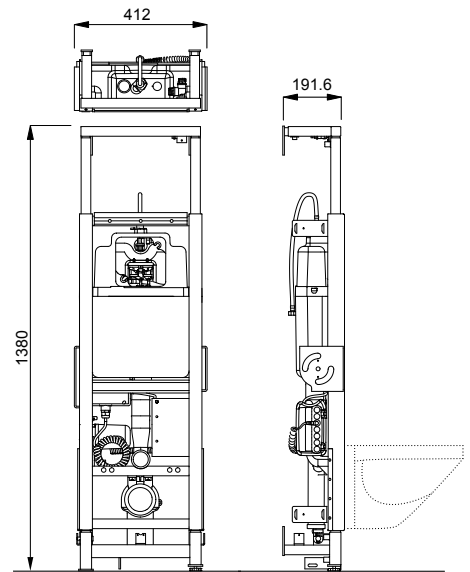


**The product contains**

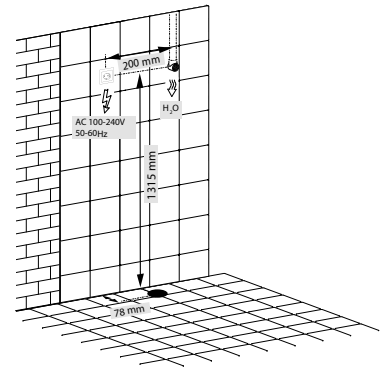
Concealed flushing cistern equipped with pre-assembled angle valve – top middle  
 Watter connection G 1/2  
 PE drain elbow Ø 90 mm with seal  
 Eccentric PE adapter Ø 90/110 mm with a seal  
 Complete installation and fixing material  
 All parts required for installation and mounting are supplied with the product

The flushing plate needs to be ordered separately

**Technical drawing**



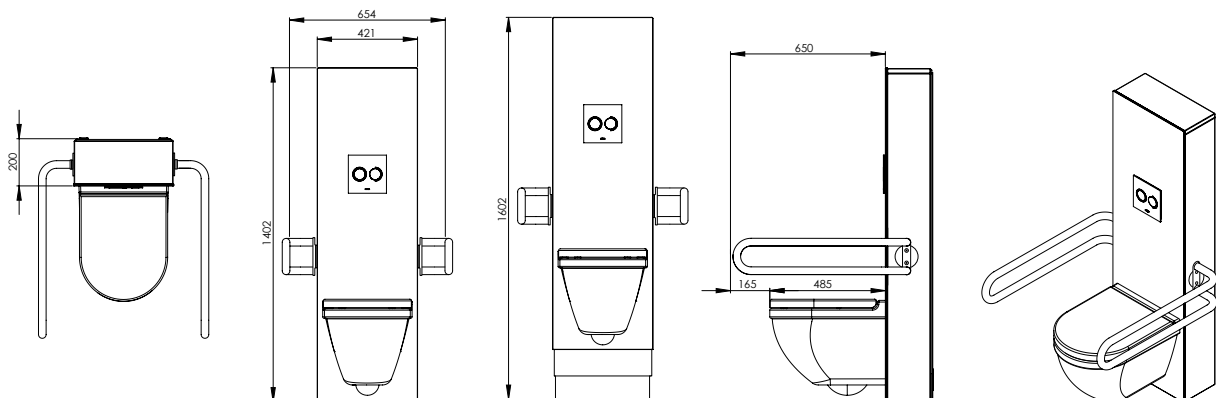
**Technical requirements for installation**



Possible installation of flushing plates:  
 page 47-54



Optimum accessibility, freedom of movement and choice





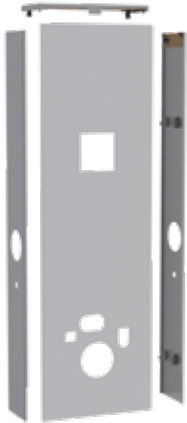
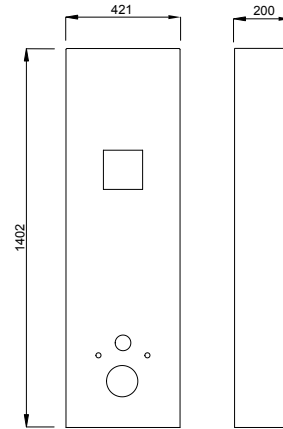
**VARIOTRONIC GLASS**

**Installation method**  
For pre-wall VarioTronic system

**Properties**  
Panel made of tempered glass  
Side panels and top panel of stainless steel

ID No.	Colour	EAN code
8050482501	white	8711778200760
8050482338	black	8711778200753

**Technical drawing**



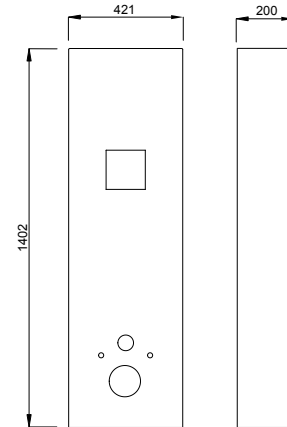
**VARIOTRONIC HPL**

**Installation method**  
For pre-wall VarioTronic system

**Properties**  
Panel made of HPL material  
Side panels and top panel of stainless steel

ID No.	Colour	EAN code
8050482701	white	8711778200777

**Technical drawing**

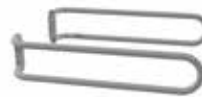


**VARIOTRONIC CONN. DWC**

**Identification No.:** 8050482801  
**EAN code:** 8711778202894

**Installation method**  
For pre-wall VarioTronic system,  
electrically height adjustable

**Properties**  
T-water connection  
For connecting shower toilet



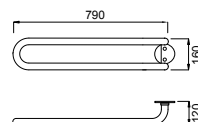
**VARIOTRONIC SUPPORT HANDLES**

**Installation method**  
For VarioTronic pre-wall system  
side installation of support handles  
onto the system

**Properties**  
Support handles move together  
with the element  
Simple installation (dismantling)  
Colour: white, black

ID No.	Colour	EAN code
8050482201	white	8711778202832
8050482401	black	8711778202870

**Technical drawing**





8 1711778 158337



### LIV-FIX UR MECH. PL

#### Installation method

Installation in prefabricated walls, pre-wall installation in dry walls, universal installation into solid walls

#### Properties

Supporting, blue powder coated urinal element, square profile 40 x 40 mm with pre-mounted rough installation set  
Mechanical valve, closed angle valve and water connection  
Pre-mounted fixing elements and flexible support legs (0–200 mm)  
Height-adjustable bracket for flushing plate mounting  
Height-adjustable bracket with water connection  
Height-adjustable bracket for urinal mounting  
Height-adjustable and rotating Ø 50 mm drain elbow

#### Special features

Plastic protective cap and fixing material  
Water connection G 1/2  
Flushing pressure: 0.12-0.4 Mpa  
Flushing volume: continuous  $3 \pm 1$  l

#### The product contains

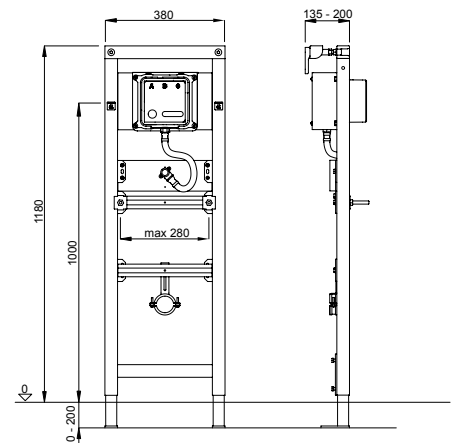
Threaded rod M8 (distance up to 280 mm)  
All parts required for installation and mounting are supplied with the product

The flushing plate needs to be ordered separately

Possible installation of flushing plates:  
page 62-63



#### Technical drawing



Identification No.: 8050452777  
Packaging: 28 pcs/pallet



### LIV-FIX UR STEEL SV

#### Installation method

Installation in prefabricated walls, pre-wall installation in dry walls, universal installation into solid walls

#### Properties

Supporting, blue powder coated urinal element, square profile 40 x 40 mm with pre-mounted rough installation set  
Mechanical valve, closed angle valve and water connection  
Pre-mounted fixing elements and flexible support legs (0–200 mm)  
Height-adjustable bracket for flushing plate mounting  
Height-adjustable bracket with water connection  
Height-adjustable bracket for urinal mounting  
Height-adjustable and rotating Ø 50 mm drain elbow

#### Special features

Plastic protective styrofoam cap and fixing material  
Water connection G 1/2  
Flushing pressure: 0.12-0.4 MPa  
Flushing volume: continuous  $3 \pm 1$  l

#### The product contains

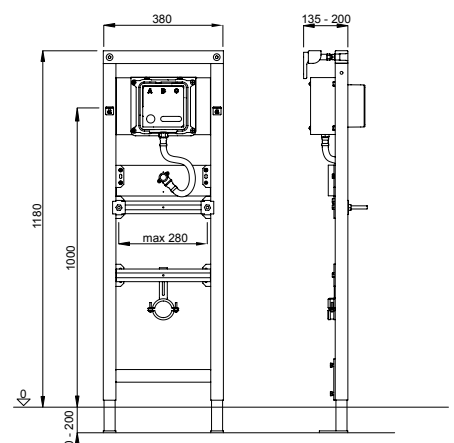
Threaded rod M8 (distance up to 280 mm)  
All parts required for installation and mounting are supplied with the product

The flushing plate needs to be ordered separately

Possible installation of flushing plates:  
page 63



#### Technical drawing



Identification No.: 8050452758  
Packaging: 28 pcs/pallet



8 1711778 137875

## LIV-FIX UR ELECTR.TRAP

**Installation method**

Installation in prefabricated walls, pre-wall installation in dry walls, universal installation into solid walls

**Properties**

Supporting, blue powder coated urinal element, square profile 40 x 40 mm  
 Pre-mounted closed electromagnet valve and water connection  
 Pre-mounted fixing elements and flexible support legs (0–200 mm)  
 Height-adjustable bracket with water connection  
 Height-adjustable bracket for urinal mounting  
 Height-adjustable concealed trap

**Special features**

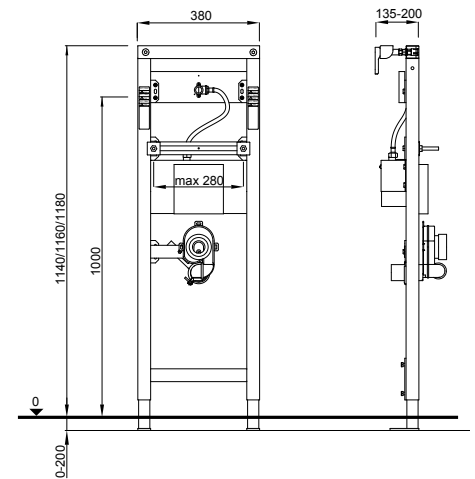
Suction trap including sensor and supply line  
 Electronic unit and 230/6 V power supply  
 Flushing volume: constant  $3 \pm 0.5$  l  
 Flow pressure: 0.15–1.0 MPa  
 Supply connection: G 1/2 AG  
 3 cleaning and 3 flushing programs available, using an enclosed magnetic key (from the outside through the ceramics)

**The product contains**

M8 threaded rod (distance up to 280 mm)  
 All parts required for installation and mounting are supplied with the product

Identification No.: 8050452756

Packaging: 28 pcs/pallet

**Technical drawing**

## LIV-FIX UR

**Installation method**

Installation in prefabricated walls, pre-wall installation in dry walls, universal installation into solid walls

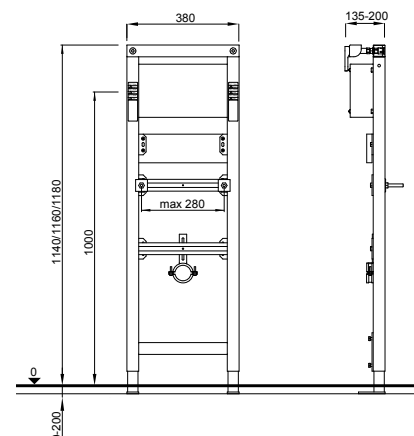
**Properties**

Supporting, blue powder coated urinal element, square profile 40 x 40 mm  
 Pre-mounted fixing elements and flexible support legs (0–200 mm)  
 Height-adjustable bracket for flushing plate mounting  
 Height-adjustable bracket for water connection  
 Height-adjustable bracket for urinal mounting  
 Height-adjustable and rotating  $\varnothing$  50 mm drain elbow

**The product contains**

M8 threaded rod (distance up to 280 mm)  
 All parts required for installation and mounting are supplied with the product

Suitable for installation of standard concealed flushing valves

**Technical drawing**

Identification No.: 8050452751

Packaging: 28 pcs/pallet



### LIV-FIX UR 135 IR 230 V

#### Installation method

Installation in prefabricated walls, pre-wall installation in dry walls, universal installation into solid walls

#### Properties

Supporting, blue powder coated urinal element, square profile 40 x 40 mm

Pre-mounted fixing elements and flexible support legs (0-200 mm)

Height-adjustable bracket for flushing plate mounting

Height-adjustable bracket with water connection

Height-adjustable bracket for urinal mounting

Height-adjustable and rotating Ø 50 mm drain elbow

#### The product contains

Rough installation set for Halite sensor system (ID No. 201498)

M8 threaded rod (280 mm distance)

Metal tube Ø 20/20 mm with a Ø 20 mm connecting elbow

All parts required for installation and mounting are supplied with the product

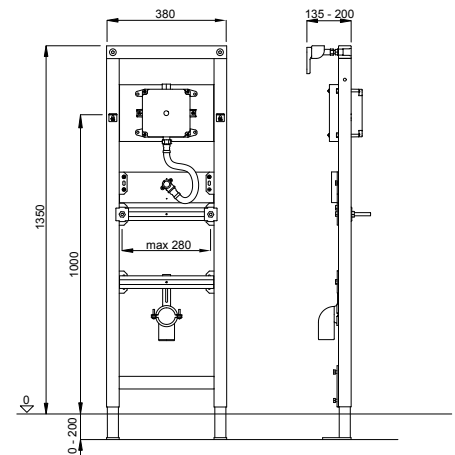
Without a concealed trap

Halite, IR flushing plate for urinals, 230 V (ID No. 195079) needs to be ordered separately (page 64)

HALITE



#### Technical drawing



Identification No.: 4060452775

Packaging: 16 pcs/pallet



### LIV-FIX UR 135 IR 9 V

#### Installation method

Installation in prefabricated walls, pre-wall installation in dry walls, universal installation into solid walls

#### Properties

Supporting, blue powder coated urinal element, square profile 40 x 40 mm

Pre-mounted fixing elements and flexible support legs (0-200 mm)

Height-adjustable bracket for flushing plate mounting

Height-adjustable bracket with water connection

Height-adjustable bracket for urinal mounting

Height-adjustable and rotating Ø 50 mm drain elbow

#### The product contains

Rough installation set for Halite sensor system (ID No. 223761)

M8 threaded rod (280 mm distance)

Metal tube Ø 20/20 mm with a Ø 20 mm connecting elbow

All parts required for installation and mounting are supplied with the product

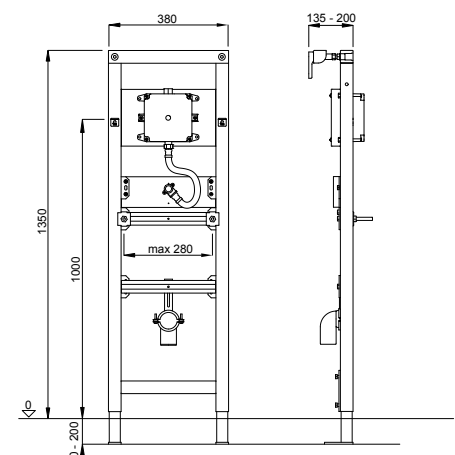
Without a concealed trap

Halite, IR flushing plate for urinals, battery (ID No. 229581) needs to be ordered separately (page 65)

HALITE



#### Technical drawing



Identification No.: 4060452779

Packaging: 16 pcs/pallet



8 711778 213982



8 711778 213999



8 711778 118638



### LIV-FIX WT

#### Installation method

Installation in prefabricated walls, pre-wall installation in dry walls, universal installation into solid walls

#### Properties

Supporting, blue powder coated washbasin element, C-Profil 40 x 40 mm  
 Pre-mounted fixing elements and flexible support legs (0-200 mm)  
 Height-adjustable bracket for washbasin mounting  
 Height-adjustable and rotating drain elbow DN 40/50 with a rubber seal for connecting tubes DN 32

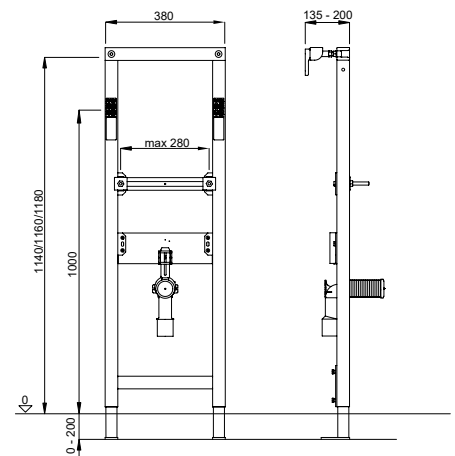
#### The product contains

Protective cap  
 M8 threaded rod (distance up to 280 mm)  
 All parts required for installation and mounting are supplied with the product

Identification No.: **8050452721**

Packaging: 28 pcs/pallet

#### Technical drawing



8 711778 121102



### LIV-FIX WT CONCEALED TRAP

#### Installation method

Installation in prefabricated walls, pre-wall installation in dry walls, universal installation into solid walls

#### Properties

Supporting, blue powder coated washbasin element, C-Profil 40 x 40 mm  
 Pre-mounted fixing elements and flexible support legs (0-200 mm)  
 Height-adjustable bracket for washbasin mounting  
 Height-adjustable drain elbow with concealed trap

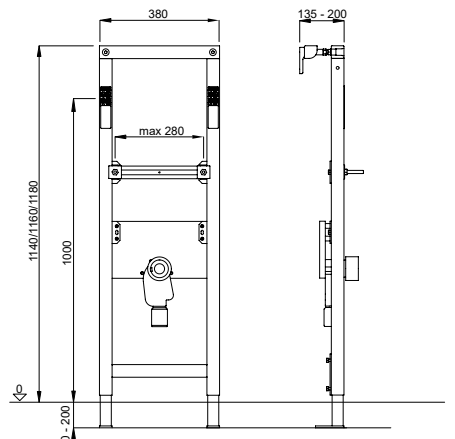
#### Special features

Concealed trap DN 50

#### The product contains

Protective cap  
 M8 threaded rod (distance up to 280 mm)  
 All parts required for installation and mounting are supplied with the product

#### Technical drawing



Identification No.: **8050452723**

Packaging: 28 pcs/pallet



### LIV-FIX WT FX

#### Installation method

Installation in prefabricated walls, pre-wall installation in dry walls, universal installation into solid walls

#### Properties

Supporting, blue powder coated washbasin element, C-Profil 40 x 40 mm  
Pre-mounted fixing elements and flexible support legs (0-200 mm)  
Bracket for washbasin mounting (not height-adjustable)  
Height-adjustable and rotating drain elbow DN 40/50 with a rubber seal for connecting tubes DN 32

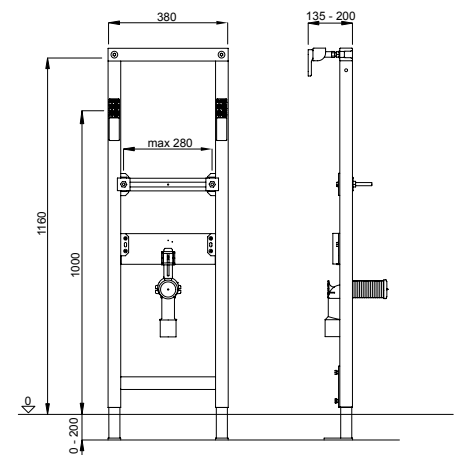
#### The product contains

PE drain elbow, DN 40/50 with a seal  
All parts required for installation and mounting are supplied with the product

Identification No.: 4060452773

Packaging: 28 pcs/pallet

#### Technical drawing



### LIV-FIX WT 88 cm

#### Installation method

Installation in prefabricated walls, pre-wall installation in dry walls, universal installation into solid walls

#### Properties

Supporting, blue powder coated washbasin element, C-Profil 40 x 40 mm  
Pre-mounted fixing elements and flexible support legs (0-200 mm)  
Height-adjustable bracket for washbasin mounting  
Height-adjustable and rotating drain elbow DN 40/50 with a rubber seal for connecting tubes DN 32

#### Special features

Height 880 mm

#### The product contains

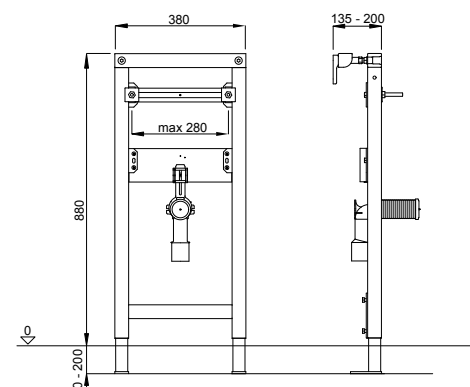
PE drain elbow, DN 40/50 with a seal  
All parts required for installation and mounting are supplied with the product

\* Available on demand

Identification No.: 4060452771

Packaging: 30 pcs/pallet

#### Technical drawing



8 1711778 213975



8 1711778 213968



8 4711778 226999



### LIV-FIX BIDET

#### Installation method

Installation in prefabricated walls, pre-wall installation in dry walls, universal installation into solid walls

#### Properties

Supporting, blue powder coated bidet element, square profile 40 x 40 mm  
Pre-mounted fixing elements and flexible support legs (0–190 mm)  
Height-adjustable bracket for water connections  
Height-adjustable and rotating drain elbow DN 40/50 with a rubber seal for connecting tubes DN 32

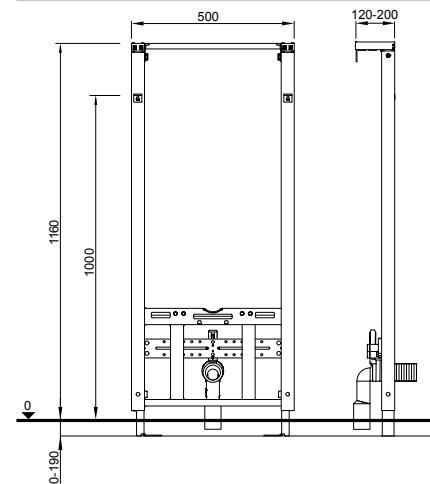
#### The product contains

Threaded rod M12 (180/230 mm)  
Protective cap and mounting material

Identification No.: **7030452911**

Packaging: 18 pcs/pallet

#### Technical drawing



8 4711778 203662



### LIV-FIX BD 59 cm

#### Installation method

For pre-wall installation and installation onto metal wall elements

#### Properties

Supporting, blue powder coated bidet element, square profile 40 x 40 mm  
Pre-mounted fixing elements and flexible support legs (0-200 mm)  
Height-adjustable bracket for water connections  
Height-adjustable and rotating drain elbow DN 40/50 with a rubber seal for connecting tubes DN 32

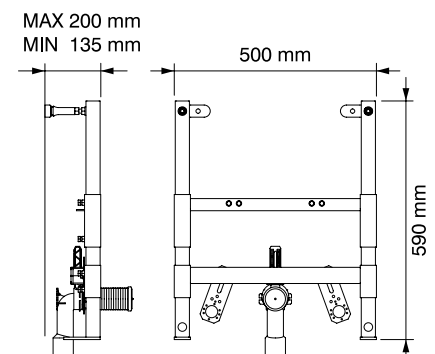
#### The product contains

M12 threaded rod (180/230 mm)  
Protective cap and mounting material

Identification No.: **8050452769**

Packaging: 48 pcs/pallet

#### Technical drawing







**LIV-FIX SP**

**Installation method**

Installation in prefabricated walls, pre-wall installation in dry walls, universal installation into solid walls

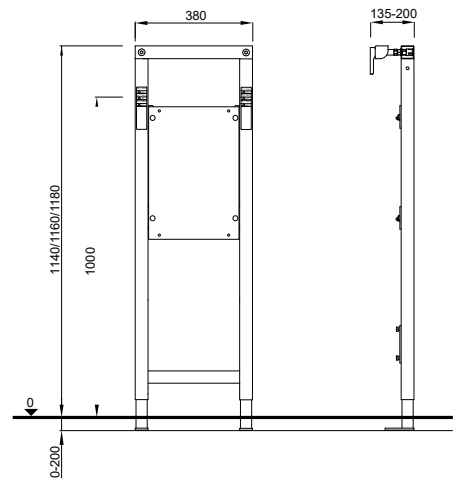
**Properties**

Supporting, blue powder coated support element for support handles/urinal separation panels, square profile 40 x 40 mm  
Pre-mounted fixing elements and flexible support legs (0-200 mm)  
Height-adjustable bracket for support handles and urinal separation panels mounting

**The product contains**

All parts required for installation and mounting are supplied with the product

**Technical drawing**



Identification No.: 8050452997  
Packaging: 28 pcs/pallet



8 711 778 103788



**LIV-FIX SK**

**Installation method**

Installation in prefabricated walls, pre-wall installation in dry walls, universal installation into solid walls

**Properties**

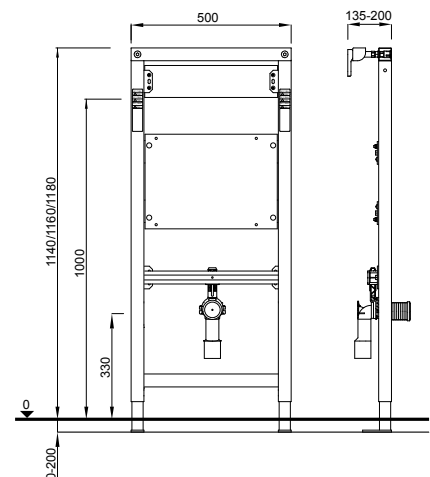
Supporting, blue powder coated sink element, square profile 40 x 40 mm  
Pre-mounted fixing elements and flexible support legs (0-200 mm)  
Height-adjustable bracket for sink mounting  
Height-adjustable and rotating drain elbow DN 40/50 with a rubber seal for connecting tubes DN 32

**The product contains**

All parts required for installation and mounting are supplied with the product

\* Available on demand

**Technical drawing**



Identification No.: 8050452724  
Packaging: 18 pcs/pallet



8 711 778 121119



### LIV-FIX TROKADERO ELEMENT

#### Installation method

Installation in prefabricated walls, pre-wall installation In drywall, universal solid wall mounting

#### Properties

Pre-assembled support, surface-protected with powder coating, made of 40 x 40 mm profiles  
The flushing element allows the tap installation  
The installed hanging bowl (Trocadero), connected to the cistern, allows filling the container with water via tap mounted on the element  
Height-adjustable bracket for tap mounting

#### The product contains

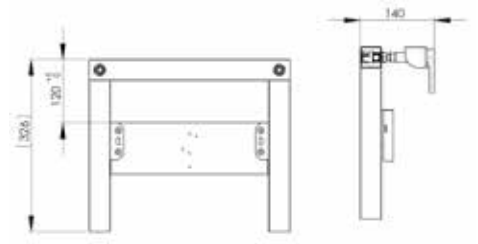
All parts required for installation and mounting are supplied with the product

Suitable for mounting on a concealed cistern  
LIV-FIX 6052

The concealed cistern and flushing plate needs to be ordered separately

\* The flushing element is used in schools, kindergartens, hospitals, new multi-apartment buildings, homes for the elderly, camps, restaurants, industry or wherever there are serviceable areas for cleaning services.

#### Technical drawing



Identification No.: 4060452744

Packaging: 1 pcs



### LIV-FIX SH

#### Installation method

Installation in prefabricated walls, pre-wall installation in dry walls, universal installation into solid walls

#### Properties

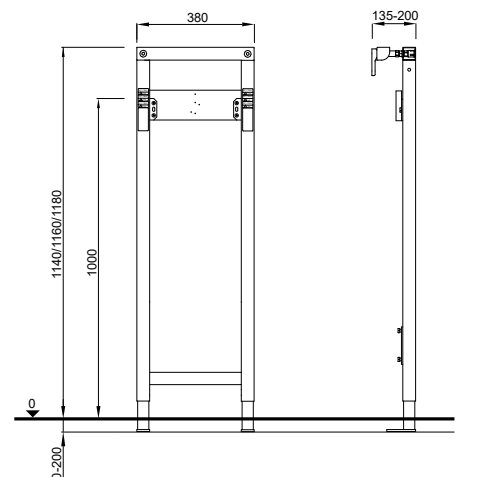
Supporting, blue powder coated support frame for installation of shower or bath tap square profile 40 x 40 mm  
Pre-mounted fixing elements and flexible support legs (0-200 mm)  
Height-adjustable bracket for tap mounting

#### The product contains

All parts required for installation and mounting are supplied with the product

\* Available on demand

#### Technical drawing



Identification No.: 8050452741

Packaging: 28 pcs/pallet



8 711778 1228436



8 711778 121188

**LIV-FIX IL****Installation method**

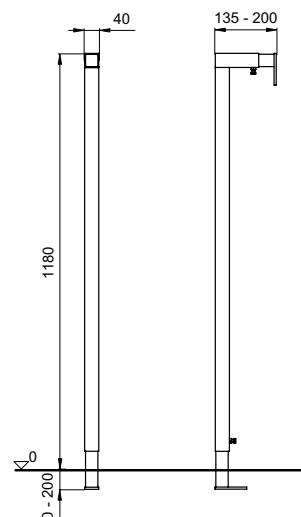
For installation in combination with LIV-FIX frames fitting in special construction situations when the elements are positioned too far apart

**Properties**

Supporting, blue powder coated support element, square profile 40 x 40 mm  
Can be used on the left or right side  
Adjustable height and depth (135 – 200 mm)

**The product contains**

All parts required for installation and mounting are supplied with the product

**Technical drawing**

Identification No.: 8050421416



8 711778 112346

**DUPLO WC 380 CARRIER 59 cm****Installation method**

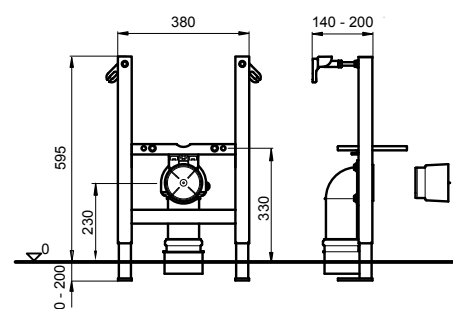
For installation of wall hung toilet or wall hung toilet with tank

**Properties**

Pre-mounted fixing elements and flexible support legs (0-200 mm)

**The product contains**

Threaded rod M12 (180/230 mm)  
Toilet bowl fixation kit  
PE wall drain elbow  $\varnothing$  90 mm with a seal  
PE eccentric adapter reduction piece  $\varnothing$  90/100 mm with a seal  
Protective cap and mounting material

**Technical drawing**

Identification No.: 4060452763

Packaging: 32 pcs/pallet



8 711778 1214309

**BOTTOM WALL MOUNTING SET**

Identification No.: 8050452974

**Installation method**

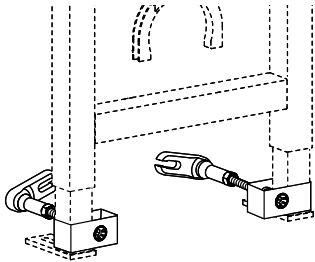
For installation without floor mounting  
For additional wall mounting

**The product contains**

Installation material



8 711778 158191

**THREADED PIECE**

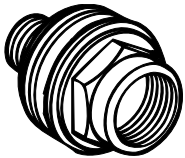
Identification No.: 8050472059

**Installation method**

Wall panel suitable for sanitary elements

**Properties**

G 1/2 AG (external thread) x G 1/2 IG (internal thread)  
Soundproofing



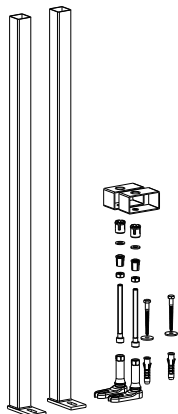
8 711778 114944

**LIV-FIX SUPPORT LEGS 55-500 mm**

Identification No.: 667872

**Properties**

Extended support legs for LIV-FIX elements



3 838912 062925

**CORNER FIXATION KIT**

Identification No.: 8050452972

**Installation method**

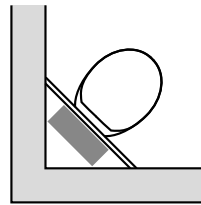
For corner installation of LIV-FIX elements

**Properties**

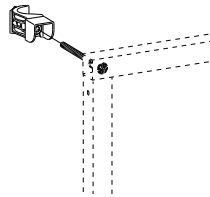
Option of different angles 0° – 90°

**The product contains**

Installation material



7 117780 108660

**Technical drawing****STANDARD WC CONNECTION KIT**

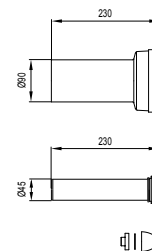
Identification No.: 8050390080

**Properties**

Material: PP  
Length = 230 mm  
Universal  
Colour: black

**The product contains**

Outlet pipe Ø 90mm  
Outlet pipe Ø 45 mm  
Two nut caps  
Seal

**Technical drawing**

8 711778 120815

**STABILIZATION SET**

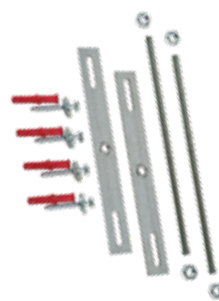
Identification No.: 363298

**Installation method**

For additional fixation in barrier-free WC facilities

**Properties**

All parts required for installation and mounting are supplied with the product  
Screws and anchors



3 838912 1031815



**EXTRA LONG  
WC CONNECTION KIT**

Identification No.: 8050390081

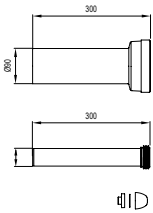
**Properties**

Material: PP  
Length = 300 mm  
Universal  
Colour: black

**The product contains**

Outlet pipe Ø 90 mm  
Outlet pipe Ø 45 mm  
Two nut caps  
Seal

**Technical drawing**



**DRAIN ELBOW 90 x 90 mm**

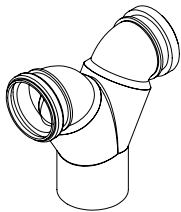
Identification No.: 8050390090

**Installation method**

For concealed systems

**Properties**

Material: PE-HD  
Universal  
Colour: black



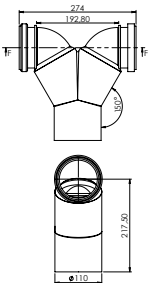
**DOUBLE DRAIN ELBOW  
90 x 90 x 110 mm**

Identification No.: GR0081

**Properties**

For connecting two concealed cisterns

**Technical drawing**



**ADAPTER REDUCTION PIECE  
Ø 90/110 mm**

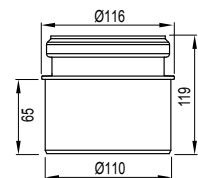
Identification No.: 8050390091

**Properties**

Material: PE-HD  
Eccentric  
Universal  
Colour: black  
Suitable for horizontal connection of concealed systems



**Technical drawing**



**FLEXIFON BUILT-IN**

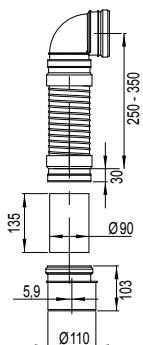
Identification No.: 8050390086

Packaging: 15 pcs/carton

**Properties**

Flexible drain elbow  
Universal for all concealed systems  
With Ø 90/110 mm reduction  
Colour: black

**Technical drawing**



**VARIO COVER PLATE**

Identification No.: 1409983910

**Installation method**

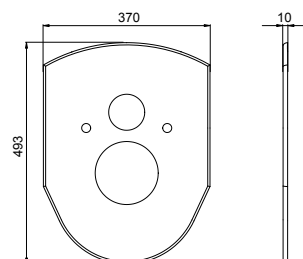
Cover plate between the toilet bowl and the wall

**Properties**

Material: PE  
Colour: white

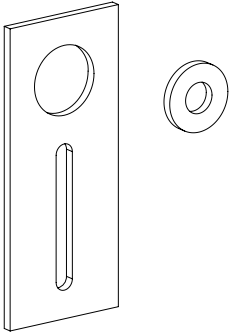


**Technical drawing**



**SOUND INSULATION SET**Identification No.: **8050390114****The product contains**

The following includes 4 rubber buffers to reduce the sound level less than 30 dB (A) according to DIN 4109/A1

**Technical drawing****Properties**

For LIV-FIX supporting elements



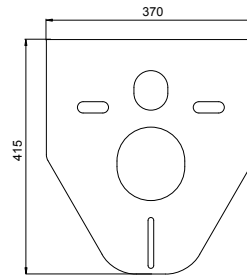
8 711778 124950

**INSULATION SET  
(toilet bowl and bidet)**Identification No.: **1409141000****Installation method**

For insulation between the toilet bowl or bidet and tiles

**Properties**

Colour: white

**Technical drawing**

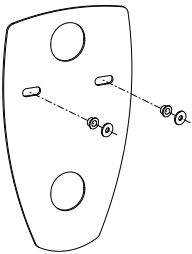
8 711778 113220

**INSULATION SET (urinal)**Identification No.: **1409141003****Installation method**

For insulation between the urinal and tiles

**Properties**

Colour: white



8 711778 113251

**URINAL SEPARATION PANEL**Identification No.: **8090390500****Installation method**

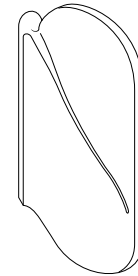
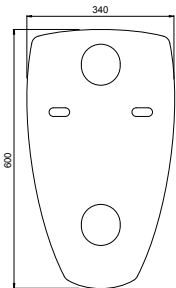
For urinals

**Properties**

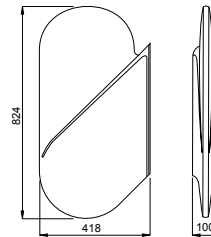
Material: PS

Surface suitable for easy cleaning

Colour: white

**Technical drawing****The product contains**

All parts required for fixing the product are supplied

**Technical drawing**

8 711778 049789

**URINAL SIEVE – BLUE**Identification No.: **6050453401****Properties**

Urinal sieve – blue

It releases a delightful odor for 3 to 4 weeks

Soft and flexible material

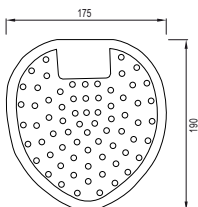
It fits all urinals

Minimises the chance of urinating past the urinal

Minimises the possibility of urine retention

For fresh and clean urinals

Colour: blue

**Technical drawing**

8 711778 184374

**URINAL SIEVE – RED**Identification No.: **6050453301****Properties**

Urinal sieve – red

It releases a delightful odor for 3 to 4 weeks

Soft and flexible material

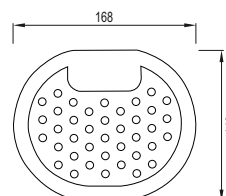
It fits all urinals

Minimises the chance of urinating past the urinal

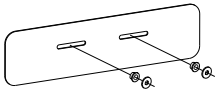
Minimises the possibility of urine retention

For a clean and fresh urinal

Colour: red

**Technical drawing**

8 711778 184367



### INSULATION SET (washbasin)

Identification No.: 1409141002

#### Installation method

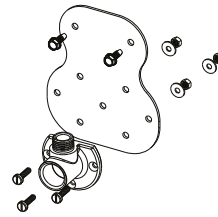
For insulation between the washbasin and tiles

#### Properties

Colour: white



8 711778 113244



### WATER CONNECTION BRACKET, DWC

Identification No.: 674379

#### Properties

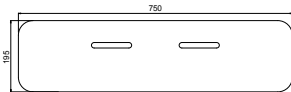
Suitable for LIV-FIX WC 7522 DWC PREMIUM (ID No. 674518)

Material: metal



3 838912 061683

#### Technical drawing



### FLEXIBLE CONNECTION TUBE, L=1300 DWC

Identification No.: 674386

#### Properties

Suitable for LIV-FIX WC 7522 DWC PREMIUM (ID No. 674518)

Material: metal



3 838912 061706



### T PIECE, DWC

Identification No.: 674385

#### Properties

Suitable for LIV-FIX WC 7522 DWC PREMIUM (ID No. 674518)

Material: metal



3 838912 061690



### ANGLE VALVE

Identification No.: 674879

#### Properties

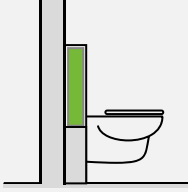
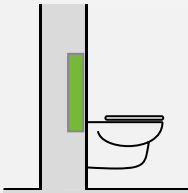







Angle valve for concealed flushing cisterns LIV 7512/7522

Material: metal

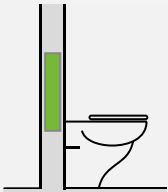
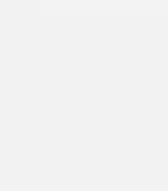






3 838912 063267

## LIV - MOUNT FLUSHING ELEMENTS

		LIV - MOUNT FLUSHING ELEMENTS		
		7512	9012	9052
INSTALL.	pre-wall or solid wall mounting			
				
				

## CONCEALED FLUSHING CISTERNS

		CONCEALED FLUSHING CISTERNS		
		7512	9012	9052
INSTALL.	pre-wall or wall hung			
				





**LIV-MOUNT WC 7512 BLOCK**

**Installation method**

For pre-wall or solid wall mounting

**Properties**

EPS toilet element with pre-assembled concealed flushing cistern 7512  
 Frontal flushing, dual flushing (3/6 l)  
 Adjustable flushing volume (large quantity of water 5/6/7 l, small quantity of water 3/4 l)  
 Water connection possibility in four positions  
 Fully insulated against condensation

**Special features**

Silent hydraulic filling valve (noise emission class 1 ISO 3822)  
 The flushing cistern is fully protected in housing made of styrofoam

**The product contains**

A concealed flushing cistern with pre-assembled angle valve – top right  
 Water connection G 1/2  
 PE wall drain elbow Ø 90 mm with a seal  
 PE adapter reduction piece Ø 90/110 mm with a seal  
 All parts required for installation and mounting are supplied with the product

The flushing plate needs to be ordered separately

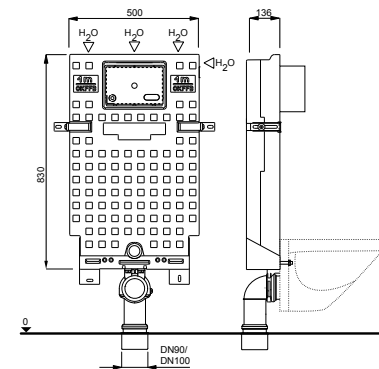
Identification No.: 325703  
 Packaging: 24 pcs/pallet



Possible installation of flushing plates:  
 page 41-46



**Technical drawing**



3 1838912 1019721



**LIV-MOUNT WC 7512 PREMIUM**

**Installation method**

For pre-wall or solid wall mounting

**Properties**

Galvanised toilet element with pre-assembled concealed flushing cistern 7512  
 Frontal flushing, dual flushing (3/6 l)  
 Adjustable flushing volume (large quantity of water 5/6/7 l, small quantity of water 3/4 l)  
 Water connection possibility in four positions  
 Fully insulated against condensation  
 Wall-mounting of the flushing cistern is adjustable by depth which allows high installation adjustability

**Special features**

Silent mechanical filling valve (noise emission class 1 ISO 3822)  
 Styrofoam insert

**The product contains**

Concealed flushing cistern equipped with pre-assembled angle valve – top right  
 Water connection G 1/2  
 PE wall drain elbow Ø 90 mm with a seal  
 PE adapter reduction piece Ø 90/110 mm with a seal  
 All parts required for installation and mounting are supplied with the product

Concealed flushing cistern legs needs to be ordered separately (page 37)

Identification No.: 669930  
 Packaging: 24 pcs/pallet

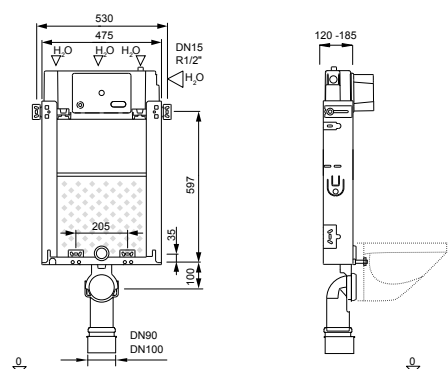


The flushing plate needs to be ordered separately

Possible installation of flushing plates:  
 page 41-46



**Technical drawing**



3 1838912 1060139



**LIV-MOUNT WC 7512**

**Installation method**  
For pre-wall or solid wall mounting

**Properties**  
Galvanised toilet element with pre-assembled concealed flushing cistern 7512  
Frontal flushing, dual flushing (3/6 l)  
Adjustable flushing volume (large quantity of water 5/6/7 l, small quantity of water 3/4 l)  
Water connection possibility in four positions  
Fully insulated against condensation

**Special features**  
Silent mechanical filling valve (noise emission class 1 ISO 3822)

**The product contains**  
Concealed flushing cistern equipped with pre-mounted angle valve – top right  
Water connection G 1/2  
PE wall drain elbow Ø 90/110 mm with seal  
All parts required for installation and mounting are supplied with the product

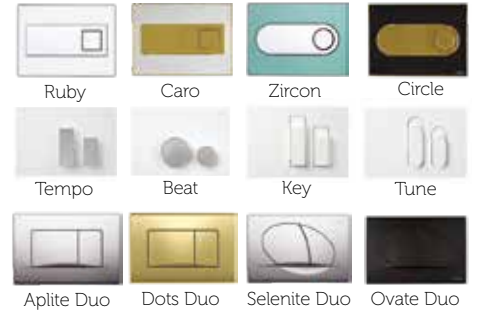
Concealed flushing cistern legs needs to be ordered separately (page 37)

The flushing plate needs to be ordered separately

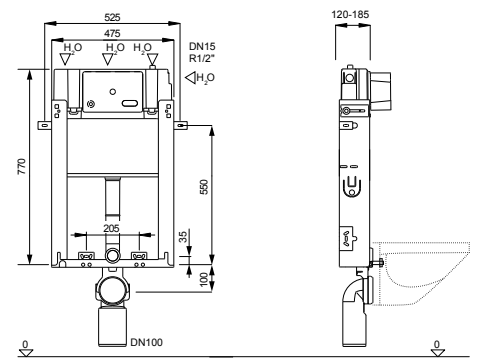
Identification No.: 669931  
Packaging: 24 pcs/pallet



Possible installation of flushing plates:  
page 41-46



**Technical drawing**



**LIV-MOUNT WC 9012**

**Installation method**  
For pre-wall or solid wall mounting

**Properties**  
Galvanized toilet element with a pre-mounted concealed flushing cistern 9012  
Frontal flushing, dual flushing (3/6 l)  
Adjustable flushing volume (large quantity of water 6/9 l, small quantity of water 3/4,5 l)  
Water connection possibility in two positions  
Fully insulated against condensation

**Special features**  
Silent mechanical filling valve (noise emission class 1 ISO 3822)

**The product contains**  
Concealed flushing cistern equipped with pre-mounted angle valve – top right  
Water connection G 1/2  
PE wall drain elbow Ø 90/110 mm with seal

All parts required for installation and mounting are supplied with the product

Concealed flushing cistern legs needs to be ordered separately (page 35)

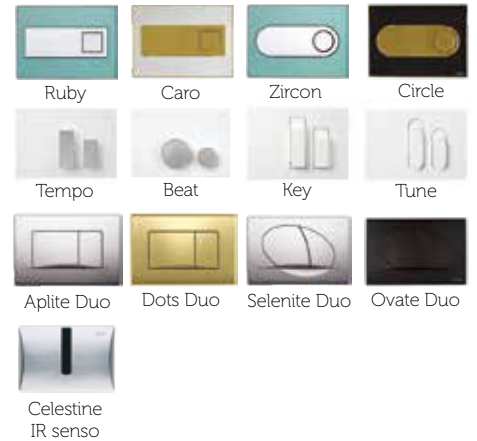
Option: Installation of Celestine, IR flushing plate

The flushing plate needs to be ordered separately

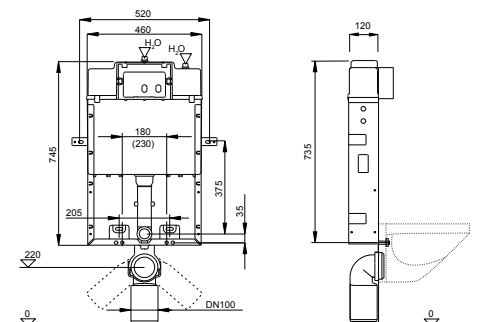
Identification No.: 195850  
Packaging: 20 pcs/pallet



Possible installation of flushing plates:  
page 41-46, 64



**Technical drawing**



**LIV-MOUNT WC 9052**



**Installation method**

For pre-wall or solid wall mounting

**Properties**

Galvanised toilet element with pre-assembled concealed flushing cistern 9052  
 Frontal flushing, dual flushing (3/9 l)  
 Adjustable flushing volume (a large quantity of water 7-9 l, small quantity of water 3-6 l)  
 Pre-mounted fasteners and adjustable support legs (0-200 mm)  
 Connection to water supply – top center  
 Fully insulated against condensation

**Special features**

Silent mechanical filling valve (noise emission class 1 ISO 3822)

**The product contains**

A concealed flushing cistern with pre-assembled angle valve – top center  
 Water connection G 1/2  
 PE wall drain elbow Ø 90 mm with a seal  
 All parts required for installation and mounting are supplied with the product

Concealed flushing cistern legs needs to be ordered separately (page 37)

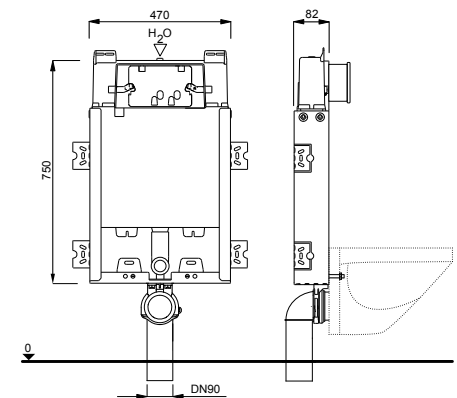
The flushing plate needs to be ordered separately

**Possible installation of flushing plates:**

page 41-46



**Technical drawing**



Identification No.: 351883  
 Packaging: 20 pcs/pallet



**CONCEALED FLUSHING CISTERN 7512**



**Installation method**

For pre-wall or solid wall mounting

**Properties**

Concealed flushing cistern 7512  
 Frontal flushing, dual flushing (3/6 l)  
 Adjustable flushing volume (large quantity of water 5/6/7 l, small quantity of water 3/4 l)  
 Water connection possibility in four positions  
 Fully insulated against condensation

**Special features**

Silent mechanical filling valve (noise emission class 1 ISO 3822)

**The product contains**

Concealed flushing cistern with pre-assembled angle valve – top right  
 Water connection G 1/2  
 Flushing pipe L = 300 mm  
 Brackets for flushing cistern installation  
 All parts required for installation and mounting are supplied with the product

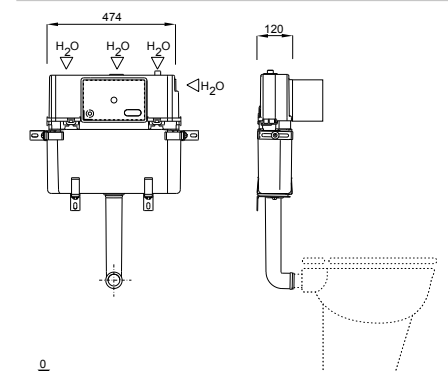
The flushing plate needs to be ordered separately

**Possible installation of flushing plates:**

page 41-46



**Technical drawing**



Identification No.: 325702  
 Packaging: 36 pcs/pallet





**CONCEALED FLUSHING CISTERN 9012**

**Installation method**  
For pre-wall or solid wall mounting

**Properties**  
Concealed flushing cistern 9012  
Frontal flushing, dual flushing (3/6 l)  
Adjustable flushing volume (large quantity of water 6/9 l, small quantity of water 3/4,5 l)  
Water connection possibility in two positions  
Fully insulated against condensation

**Special features**  
Silent mechanical filling valve (noise emission class 1 ISO 3822)

**The product contains**  
Concealed flushing cistern with a pre-mounted angle valve – top right  
Water connection G 1/2  
Flushing pipe L = 300 mm  
Construction grid

All parts required for installation and mounting are supplied with the product

Option: Installation of Celestine, IR flushing plate

The flushing plate needs to be ordered separately

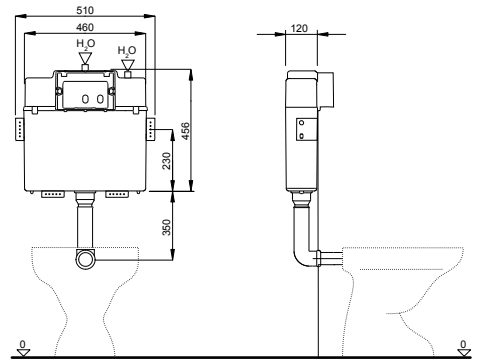
Identification No.: 195907  
Packaging: 36 pcs/pallet



Possible installation of flushing plates:  
page 41-46, 64



**Technical drawing**



**CONCEALED FLUSHING CISTERN 9052**

**Installation method**  
For pre-wall or solid wall mounting

**Properties**  
Concealed flushing cistern 9052  
Frontal flushing, dual flushing (3/9 l)  
Adjustable flushing volume (a large quantity of water 7-9 l, small quantity of water 3-6 l)  
Connection to water supply – top center  
Fully insulated against condensation

**Special features**  
Silent mechanical filling valve (noise emission class 1 ISO 3822)

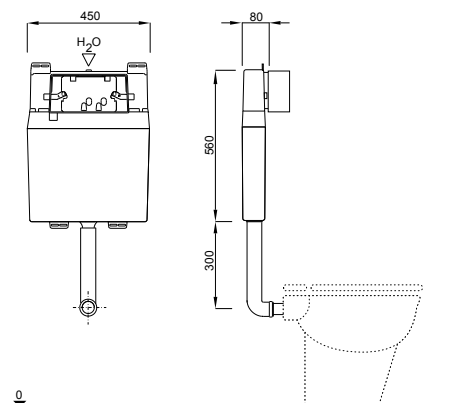
**The product contains**  
Concealed flushing cistern equipped with pre-assembled angle valve – top center  
Water connection G 1/2  
Flushing pipe L = 300 mm  
Construction grid  
Brackets for flushing cistern installation  
All parts required for installation and mounting are supplied with the product

The flushing plate needs to be ordered separately

Possible installation of flushing plates:  
page 41-46



**Technical drawing**



Identification No.: 351884  
Packaging: 30 pcs/pallet





**CONCEALED FLUSHING CISTERN LEGS**

**Identification No.:** 195279  
Packaging: 20 pcs/NZ1

**Installation method**  
Support when installing LIV-MOUNT toilet element

**Properties**  
Galvanised U-profile with bottom plates

**The product contains**  
All parts required for installation and mounting are supplied with the product



31838912115300



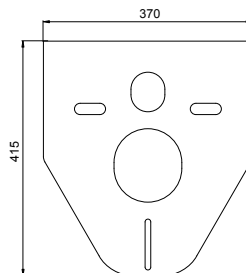
**INSULATION SET (toilet bowl and bidet)**

**Identification No.:** 1409141000

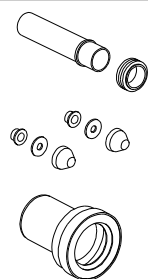
**Installation method**  
For insulation between the toilet bowl or bidet and tiles

**Properties**  
Colour: white

**Technical drawing**



8171177811132201



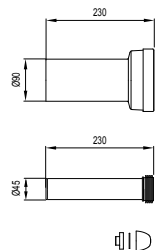
**STANDARD WC CONNECTION KIT, L=230 mm**

**Identification No.:** 8050390080

**Properties**  
Material: PP  
Length = 230 mm  
Universal  
Colour: black

**The product contains**  
Outlet pipe Ø 90 mm  
Outlet pipe Ø 45 mm  
Two nut caps  
Seal

**Technical drawing**



81711778120815



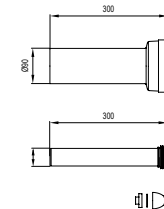
**EXTRA LONG WC CONNECTION KIT, L=300 mm**

**Identification No.:** 8050390081

**Properties**  
Material: PP  
Length = 300 mm  
Universal  
Colour: black

**The product contains**  
Outlet pipe Ø 90 mm  
Outlet pipe Ø 45 mm  
Two nut caps  
Seal

**Technical drawing**



81711778120822



**DRAIN ELBOW 90 x 90 mm**

**Identification No.:** 8050390090

**Installation method**  
For concealed systems

**Properties**  
Material: PE-HD  
Universal  
Colour: black



81711778141278

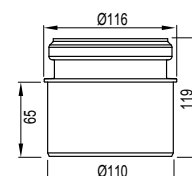


**ADAPTER REDUCTION PIECE Ø 90/110 mm**

**Identification No.:** 8050390091

**Properties**  
Material: PE-HD  
Eccentric  
Universal  
Colour: black  
Suitable for horizontal connection of concealed systems

**Technical drawing**



81711778141285



# 39 FLUSHING PLATES AND NON-CONTACT FLUSHING SYSTEMS

Harmony. A perfect match. This is what all of us strive for and on all straights – in relationships, for ourselves, in our environment, but also – in the bathroom. The line of modern flushing plates with different combinations of shapes, colours and materials allows limitless possibilities of different bathroom environments bringing harmony of functions and design into your space.

---

41	FLUSHING PLATES FOR CONCEALED FLUSHING CISTERNS 7512/7522, 9052 AND 9012
47	FLUSHING PLATES FOR CONCEALED FLUSHING CISTERNS 3800 AND 380
55	FLUSHING PLATES FOR CONCEALED FLUSHING CISTERNS 6052
59	ACCESSORIES
62	FLUSHING PLATES FOR URINALS
64	NON-CONTACT (IR) FLUSHING SYSTEMS

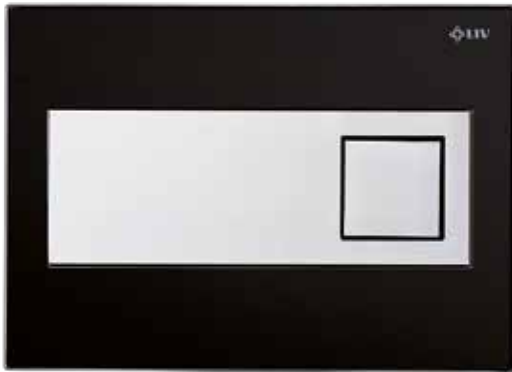
---



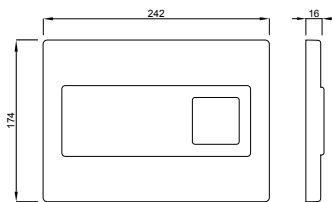
# FLUSHING PLATES

Flushing plate model	Activation	FLUSHING CISTERNS				
		7512/7522	9012	9052	3800/380	6052
RUBY	mechanical	■	■	■		
CARO	mechanical	■	■	■		
ZIRCON	mechanical	■	■	■		
CIRCLE	mechanical	■	■	■		
TEMPO	mechanical	■	■	■		
BEAT	mechanical	■	■	■		
KEY	mechanical	■	■	■		
TUNE	mechanical	■	■	■		
APLITE DUO	mechanical	■	■	■		
DOTS DUO	mechanical	■	■	■		
SELENITE DUO	mechanical	■	■	■		
OVATE DUO	mechanical	■	■	■		
NEA DUO	electronic				■	
OPAL DUO	mechanical				■	
ONYX DUO	mechanical				■	
ARTE DUO	mechanical				■	
ITEA DUO	pneumatic				■	
KATION DUO	electronic					■
REI DUO	mechanical					■
GAIOS DUO	mechanical					■
THIRA DUO	pneumatic					■
CELESTINE	electronic		■			





Technical drawing



ID No.: 229455

ID No.: 392902

ID No.: 229454

ID No.: 229456

ID No.: 70107

ID No.: 73730

ID No.: 223108

ID No.: 232865  
frame without filler

RUBY

Installation method

For mounting on concealed flushing cisterns

Properties

Material: glass, wood, high-quality plastic  
Dual flushing  
For concealed flushing cisterns 7512/7522  
For concealed flushing cisterns 9052  
For concealed flushing cisterns 9012

Special features

Simple installation and maintenance

The product contains

All parts required for mounting are supplied with the product

Model	Colour	ID No.	EAN code
glass	white	229455	3838912012715
glass	pergamon	392902	3838912026316
glass	green	229454	3838912012708
wood	wenge	229456	3838912012722
wood	zebrano	70107	3838912026408
plastic	white	73730	3838912021526
plastic	black	223108	3838912009708
frame without filler		232865	3838912012913

Packaging: 4 pcs/carton

CARO

Installation method

For mounting on concealed flushing cisterns

Properties

Material: glass, high-quality plastic  
Dual flushing  
For concealed flushing cisterns 7512/7522  
For concealed flushing cisterns 9052  
For concealed flushing cisterns 9012

Special features

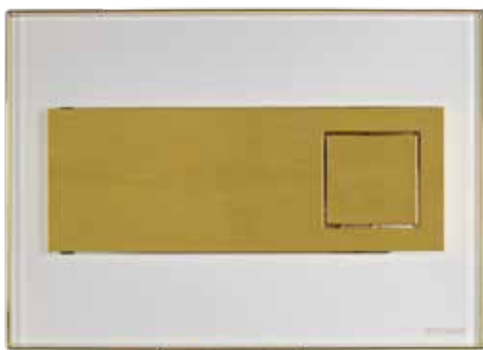
Simple installation and maintenance

The product contains

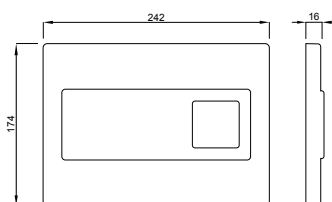
All parts required for mounting are supplied with the product

Model	Colour	ID No.	EAN code
glass	white-gold	675042	3838912064387
glass	black-gold	675043	3838912064394
plastic	matt black	681017	3838912063205

Packaging: 4 pcs/carton



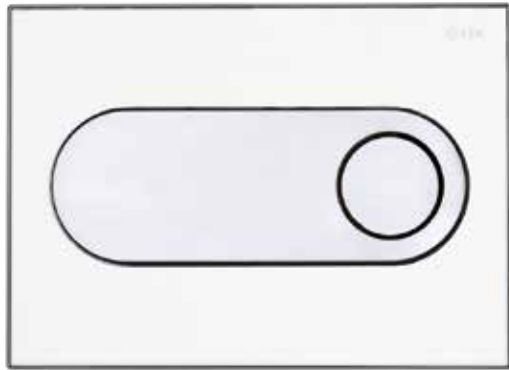
Technical drawing



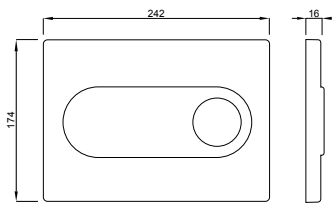
ID No.: 675042

ID No.: 675043

ID No.: 681017



#### Technical drawing



ID No.: 74249



ID No.: 229457



ID No.: 229458



ID No.: 68100



ID No.: 229459



ID No.: 223125



ID No.: 73601

ID No.: 392901  
frame without filler

## ZIRCON

### Installation method

For mounting on concealed flushing cisterns

### Properties

Material: glass, wood, high-quality plastic  
Dual flushing  
For concealed flushing cisterns 7512/7522  
For concealed flushing cisterns 9052  
For concealed flushing cisterns 9012

### Special features

Simple installation and maintenance

### The product contains

All parts required for mounting are supplied with the product

Model	Colour	ID No.	EAN code
glass	white	74249	3838912026422
glass	pergamon	229457	3838912012807
glass	green	229458	3838912012814
wood	wenge	68100	3838912026323
wood	zebrano	229459	3838912012821
plastic	white	223125	3838912009715
plastic	black	73601	3838912026415
frame without filler		392901	3838912026309

Packaging: 4 pcs/carton

## CIRCLE

### Installation method

For mounting on concealed flushing cisterns

### Properties

Material: glass, high-quality plastic  
Dual flushing  
For concealed flushing cisterns 7512/7522  
For concealed flushing cisterns 9052  
For concealed flushing cisterns 9012

### Special features

Simple installation and maintenance

### The product contains

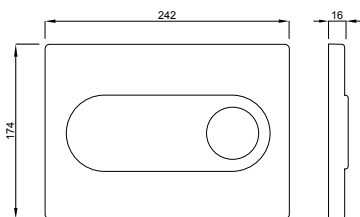
All parts required for mounting are supplied with the product

Model	Colour	ID No.	EAN code
glass	white-gold	675040	3838912064363
glass	black-gold	675041	3838912064370
plastic	matt black	681030	3838912063625

Packaging: 4 pcs/carton



#### Technical drawing



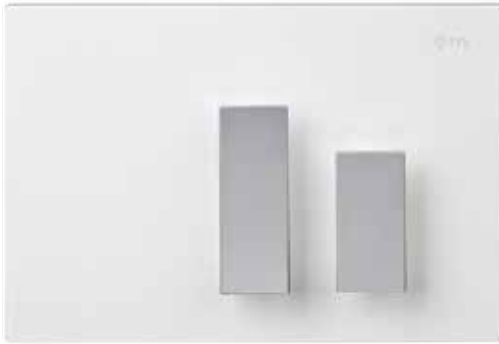
ID No.: 675040



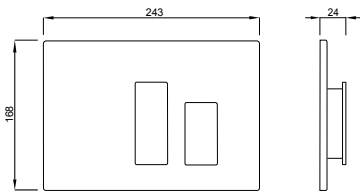
ID No.: 675041



ID No.: 681030



**Technical drawing**



ID No.: 634495

**TEMPO**

**Installation method**

For mounting on concealed flushing cisterns

**Properties**

Material: high-quality plastic

Dual flushing

Colour: white with silver metal activation buttons

For concealed flushing cisterns 7512/7522

For concealed flushing cisterns 9052

For concealed flushing cisterns 9012

**Special features**

Simple installation and maintenance

**The product contains**

All parts required for mounting are supplied with the product

Model	Colour	ID No.	EAN code
TEMPO	white	634495	3838912038906

Packaging: 4 pcs/carton

**BEAT**

**Installation method**

For mounting on concealed flushing cisterns

**Properties**

Material: high-quality plastic

Dual flushing

Colour: white with silver metal activation buttons

For concealed flushing cisterns 7512/7522

For concealed flushing cisterns 9052

For concealed flushing cisterns 9012

**Special features**

Simple installation and maintenance

**The product contains**

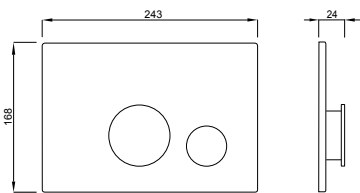
All parts required for mounting are supplied with the product

Model	Colour	ID No.	No. EAN code
BEAT	white	634849	3838912039606

Packaging: 4 pcs/carton



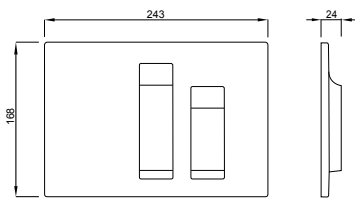
**Technical drawing**



ID. No.: 634849



### Technical drawing



ID No.: 620447



ID No.: 620457



ID No.: 620462

## KEY

### Installation method

For mounting on concealed flushing cisterns

### Properties

Material: high-quality plastic

Dual flushing

Colour: white, matt chrome, gloss chrome

For concealed flushing cisterns 7512/7522

For concealed flushing cisterns 9052

For concealed flushing cisterns 9012

### Special features

Simple installation and maintenance

### The product contains

All parts required for mounting are supplied with the product

Model	Colour	ID No.	EAN code
KEY	white	620447	3838912037619
KEY	matt chrome	620457	3838912037626
KEY	gloss chrome	620462	3838912036704

Packaging: 4 pcs/carton

## TUNE

### Installation method

For mounting on concealed flushing cisterns

### Properties

Material: high-quality plastic

Dual flushing

Colour: white, matt chrome, gloss chrome

For concealed flushing cisterns 7512/7522

For concealed flushing cisterns 9052

For concealed flushing cisterns 9012

### Special features

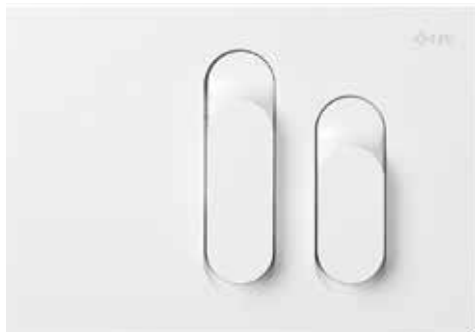
Simple installation and maintenance

### The product contains

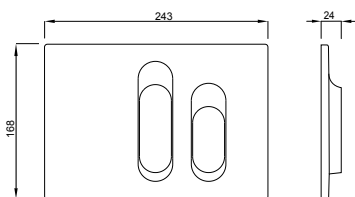
All parts required for mounting are supplied with the product

Model	Colour	ID No.	EAN code
TUNE	white	634682	3838912038326
TUNE	matt chrome	634687	3838912039415
TUNE	gloss chrome	634693	3838912039507

Packaging: 4 pcs/carton



### Technical drawing



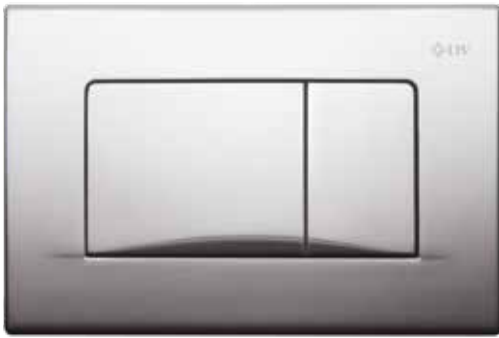
ID No.: 634682



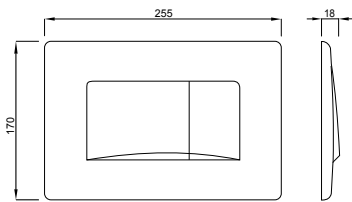
ID No.: 634687



ID No.: 634693



**Technical drawing**



ID No.: 195851



ID No.: 195866



ID No.: 195870

**APLITE DUO**

**Installation method**

For mounting on concealed flushing cisterns

**Properties**

Material: high-quality plastic

Dual flushing

Colour: white, matt chrome, gloss chrome

For concealed flushing cisterns 7512/7522

For concealed flushing cisterns 9052

For concealed flushing cisterns 9012

**Special features**

Simple installation and maintenance

**The product contains**

All parts required for mounting are supplied with the product

Model	Colour	ID No.	EAN code
Aplite Duo	white	195851	3838912156204
Aplite Duo	matt chrome	195866	3838912156709
Aplite Duo	gloss chrome	195870	3838912156815

Packaging: 4 pcs/carton

**DOTS DUO**

**Installation method**

For mounting on concealed flushing cisterns

**Properties**

Material: high-quality plastic

Dual flushing

Colour: gold, matt black

For concealed flushing cisterns 7512/7522

For concealed flushing cisterns 9052

For concealed flushing cisterns 9012

**Special features**

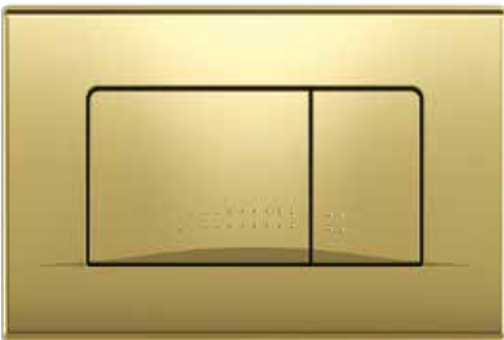
Simple installation and maintenance

**The product contains**

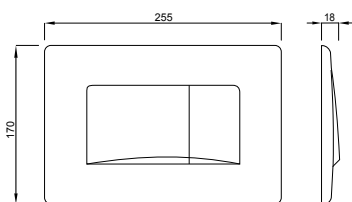
All parts required for mounting are supplied with the product

Model	Colour	ID No.	EAN code
Dots Duo	gold	675130	3838912064547
Dots Duo	matt black	681013	3838912063199

Packaging: 4 pcs/carton



**Technical drawing**



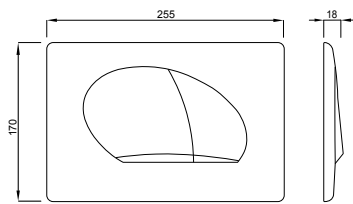
ID No.: 675130



ID No.: 681013



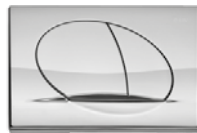
#### Technical drawing



ID No.: 195853



ID No.: 195868



ID No.: 195872

### SELENITE DUO

#### Installation method

For mounting on concealed flushing cisterns

#### Properties

Material: high-quality plastic

Dual flushing

Colour: white, matt chrome, gloss chrome

For concealed flushing cisterns 7512/7522

For concealed flushing cisterns 9052

For concealed flushing cisterns 9012

#### Special features

Simple installation and maintenance

#### The product contains

All parts required for mounting are supplied with the product

Mode	Colour	ID No.	EAN code
Selenite Duo	white	195853	3838912156228
Selenite Duo	matt chrome	195868	3838912156723
Selenite Duo	gloss chrome	195872	3838912156907

Packaging: 4 pcs/carton

### OVATE DUO

#### Installation method

For mounting on concealed flushing cisterns

#### Properties

Material: high-quality plastic

Dual flushing

Colour: gold, matt black

For concealed flushing cisterns 7512/7522

For concealed flushing cisterns 9052

For concealed flushing cisterns 9012

#### Special features

Simple installation and maintenance

#### The product contains

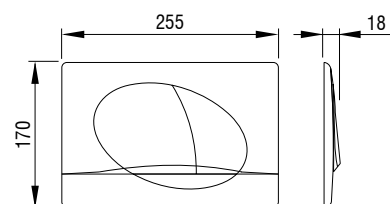
All parts required for mounting are supplied with the product

Mode	Colour	ID No.	EAN code
Ovate Duo	gold	675132	3838912064554
Ovate Duo	matt black	681008	3838912063182

Packaging: 4 pcs/carton



#### Technical drawing



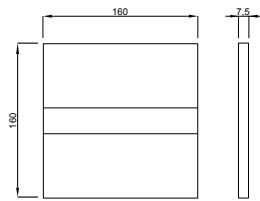
ID No.: 675132



ID No.: 681008



**Technical drawing**



ID No.: 4060419811

**NEA DUO**

**Installation method**

For mounting on concealed flushing cisterns

**Properties**

Hygienic non-contact infrared technology flushing  
 Material: high-quality plastic  
 Dual flushing  
 For concealed flushing cisterns 3800 and 380

**Special features**

Easy installation and maintenance  
 Various setting options with Schwab Tronic application (page 49)

**The product contains**

All parts required for mounting are supplied with the product including lifting unit with a servo motor  
 Without a power supply unit

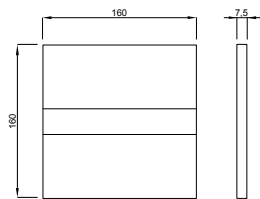
Different power supply options: uninterruptible power supply, plug-in power supply, battery, hydro generator (page 59)

Model	Colour	ID No.	EAN code
Nea Duo	white	4060419811	8711778213463

Packaging: 12 pcs/carton



**Technical drawing**



ID No.: 4060419821



ID No.: 4060419638

**NEA DUO GLASS**

**Installation method**

For mounting on concealed flushing cisterns

**Properties**

Hygienic non-contact infrared technology flushing  
 Material: glass  
 Colour: white, black  
 Dual flushing  
 For concealed flushing cisterns 3800 and 380

**Special features**

Easy installation and maintenance  
 Colour wave appearance through the slot on the button  
 Various setting options with Schwab Tronic application (page 49)

**The product contains**

All parts required for mounting are supplied with the product including lifting unit with a servo motor  
 Without a power supply unit

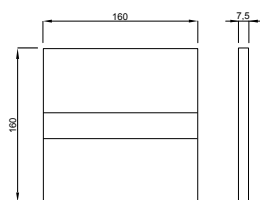
Different power supply options: uninterruptible power supply, plug-in power supply, battery, hydro generator (page 59)

Mode	Colour	ID No.	EAN code
Nea Duo Glass	white	4060419821	8711778213470
Nea Duo Glass	black	4060419638	8711778213425

Packaging: 12 pcs/carton



#### Technical drawing



ID No.: 4060419640

### NEA DUO STEEL DESIGN

#### Installation method

For mounting on concealed flushing cisterns

#### Properties

Hygienic non-contact infrared technology flushing  
Material: stainless steel  
Dual flushing  
For concealed flushing cisterns 3800 and 380

#### Special features

Easy installation and maintenance  
Colour wave appearance through the slot on the button  
Various setting options with Schwab Tronic application (page 49)

#### The product contains

All parts required for mounting are supplied with the product including lifting unit with a servo motor  
Without a power supply unit

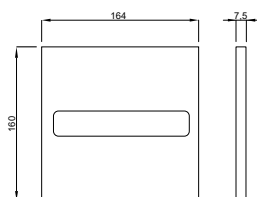
Different power supply options: uninterruptible power supply, plug-in power supply, battery, hydro generator (page 59)

Model	Colour	ID No.	EAN code
Nea Duo steel design	stainless steel	4060419640	8711778213432

Packaging: 12 pcs/carton



#### Technical drawing



ID No.: 4060505601

### NEA DUO STEEL SV

#### Installation method

For mounting on concealed flushing cisterns

#### Properties

Hygienic non-contact infrared technology flushing  
Material: stainless steel  
Dual flushing  
For concealed flushing cisterns 3800 and 380

#### Special features

Easy installation and maintenance  
Suitable for public sanitary facilities  
Interchangeable sensor window  
Concealed screw fixing  
Various setting options with Schwab Tronic application (page 49)

#### The product contains

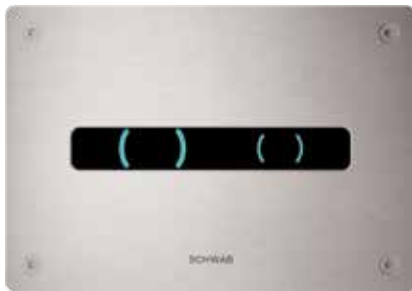
All parts required for mounting are supplied with the product including lifting unit with a servo motor  
Without a power supply unit

Different power supply options: uninterruptible power supply, plug-in power supply, battery, hydro generator (page 59)

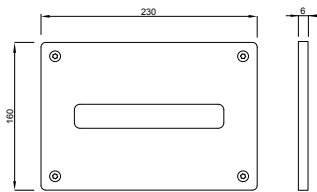
Model	Colour	ID No.	EAN code
Nea Duo Steel SV	stainless steel	4060505601	8711778213487

Packaging: 12 pcs/carton





### Technical drawing



ID No.: 4060419655



ID No.: 4060419650

## NEA STEEL VB / NEA DUO STEEL VB

### Installation method

For mounting on concealed flushing cisterns

### Properties

Hygienic non-contact infrared technology flushing

Material: stainless steel

Start-stop flushing (Nea Steel VB)

Dual flushing (Nea Duo Steel VB)

For concealed flushing cisterns 3800 and 380

### Special features

Easy installation and maintenance

Suitable for public sanitary facilities

Interchangeable sensor window

Mounting with 4 torx screws

Various setting options with Schwab Tronic application (page 49)

### The product contains

All parts required for mounting are supplied with the

product including lifting unit with a servo motor

Without a power supply unit

Different power supply options: uninterruptible power supply, plug-in power supply, battery, hydro generator (page 59)

Model	ID No.	EAN code
Nea Steel VB	4060419655	8711778213456
Nea Duo Steel VB	4060419650	8711778213449

Packaging: 12 pcs/carton



## SCHWAB Tronic App

Using the special SCHWAB application for your mobile phone or tablet you can easily and completely change settings of the flushing plate.

SCHWAB Tronic App can be downloaded free of charge from the Google Play or Apple App Store.

### Settings:

Hygiene flushing

Interval hygiene flushing

Automatic flushing/on departure

Lighting colour (any colour is possible)

PIN code

System diagnostics

Statistics

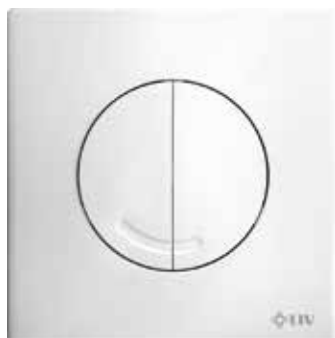
### Power settings:

Activation

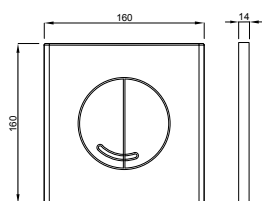
Eco activation

Eco+ activation

Lighting is always on



#### Technical drawing



ID No.: 7030414601



ID No.: 7030414631



ID No.: 7030414651

### OPAL DUO

#### Installation method

For mounting on concealed flushing cisterns

#### Properties

Material: high-quality plastic

Dual flushing

Colour: white, matt chrome, gloss chrome

For concealed flushing cisterns 3800 and 380

#### Special features

Simple installation and maintenance

#### The product contains

All parts required for mounting are supplied with the product

Model	Colour	ID No.	EAN code
Opal Duo	white	7030414601	8711778216327
Opal Duo	matt chrome	7030414631	8711778216334
Opal Duo	gloss chrome	7030414651	8711778216341

Packaging: 20 pcs/carton

### OPAL DUO ANTIBAC

#### Installation method

For mounting on concealed flushing cisterns

#### Properties

Material: high-quality plastic

Dual flushing

Colour: white

For concealed flushing cisterns 3800 and 380

#### Special features

Simple installation and maintenance

With silver ions for antibacterial effect

#### The product contains

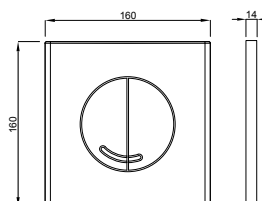
All parts required for mounting are supplied with the product

Model	Colour	ID No.	EAN code
Opal Duo			
Antibac	white	7030414602	8711778216358

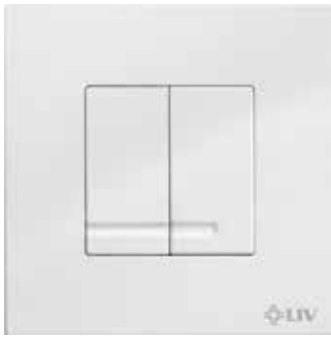
Packaging: 20 pcs/carton



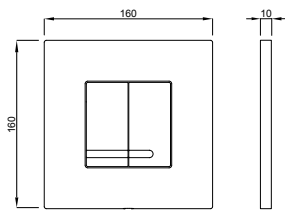
#### Technical drawing



ID No.: 7030414602



**Technical drawing**



ID No.: 7030415601



ID No.: 7030415631



ID No.: 7030415651

**ONYX DUO**

**Installation method**

For mounting on concealed flushing cisterns

**Properties**

Material: high-quality plastic

Dual flushing

Colour: white, matt chrome, gloss chrome

For concealed flushing cisterns 3800 and 380

**Special features**

Simple installation and maintenance

**The product contains**

All parts required for mounting are supplied with the product

Model	Colour	ID No.	EAN code
Onyx Duo	white	7030415601	8711778216365
Onyx Duo	matt chrome	7030415631	8711778216372
Onyx Duo	gloss chrome	7030415651	8711778216389

Packaging: 12 pcs/carton

**ARTE DUO STEEL DESIGN**

**Installation method**

For mounting on concealed flushing cisterns

**Properties**

Material: stainless steel

Dual flushing

For concealed flushing cisterns 3800 and 380

**Special features**

Simple installation and maintenance

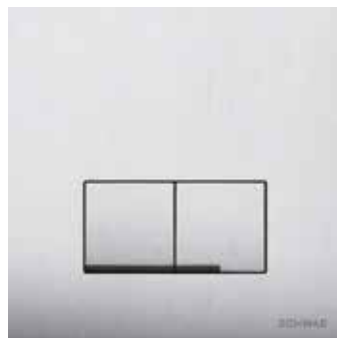
Colour wave appearance through the slot on the button

**The product contains**

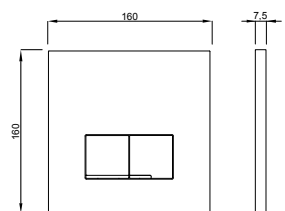
All parts required for mounting are supplied with the product

Model	Colour	ID No.	EAN code
Arte Duo			
Steel Design	stainless steel	4060420101	8711778213333

Packaging: 20 pcs/carton



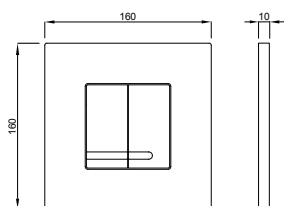
**Technical drawing**



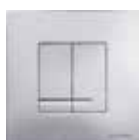
ID No.: 4060420101



#### Technical drawing



ID No.: 4060414001



ID No.: 4060414031



ID No.: 4060414051

### ARTE DUO METALL

#### Installation method

For mounting on concealed flushing cisterns

#### Properties

Material: zinc alloy

Dual flushing

Colour: white, matt chrome, gloss chrome

For concealed flushing cisterns 3800 and 380

#### Special features

Simple installation and maintenance

Concealed screw fastening

#### The product contains

All parts required for mounting are supplied with the product

Model	Colour	ID No.	EAN code
Arte Duo Metall	white	4060414001	8711778213951
Arte Duo Metall	matt chrome	4060414031	8711778212770
Arte Duo Metall	gloss chrome	4060414051	8711778212794

Packaging: 20 pcs/carton

### ARTE DUO GLASS

#### Installation method

For mounting on concealed flushing cisterns

#### Properties

Material: glass

Dual flushing

Colour: white, black

For concealed flushing cisterns 3800 and 380

#### Special features

Simple installation and maintenance

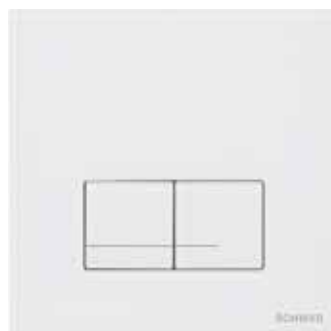
Colour wave appearance through the slot on the button

#### The product contains

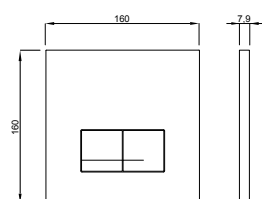
All parts required for mounting are supplied with the product

Model	Colour	ID No.	EAN code
Arte Duo Glass	white	4060420201	8711778213364
Arte Duo Glass	black	4060420238	8711778213371

Packaging: 20 pcs/carton



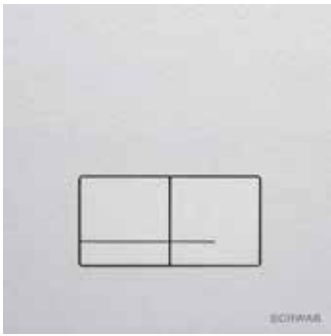
#### Technical drawing



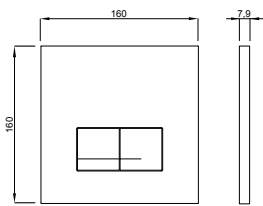
ID No.: 4060420201



ID No.: 4060420238



### Technical drawing



ID No.: 4060420111



ID No.: 4060420138

## ARTE DUO ALU

### Installation method

For mounting on concealed flushing cisterns

### Properties

Material: aluminium

Dual flushing

Colour: aluminium, black

For concealed flushing cisterns 3800 and 380

### Special features

Simple installation and maintenance

Colour wave appearance through the slot on the button

### The product contains

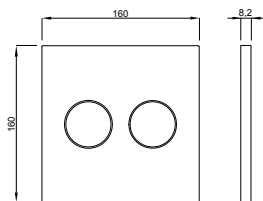
All parts required for mounting are supplied with the product

Model	Colour	ID No.	EAN code
Arte Duo Alu	aluminium	4060420111	8711778213340
Arte Duo Alu	black	4060420138	8711778213357

Packaging: 20 pcs/carton



### Technical drawing



ID No.: 4060419601



ID No.: 4060419631



ID No.: 4060419651

## ITEA DUO

### Installation method

For mounting on concealed flushing cisterns

### Properties

Material: high-quality plastic

Dual flushing

Colour: white, matt chrome, gloss chrome

For concealed flushing cisterns 3800 and 380

### Special features

Simple installation and maintenance

### The product contains

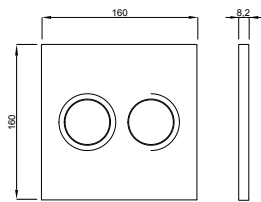
All parts required for mounting are supplied with the product including pneumatic lifting unit

Model	Colour	ID No.	EAN code
Itéa Duo	white	4060419601	8711778213265
Itéa Duo	matt chrome	4060419631	8711778213272
Itéa Duo	gloss chrome	4060419651	8711778213289

Packaging: 12 pcs/carton



#### Technical drawing



ID No.: 4060419801



ID No.: 4060419838

### ITEA DUO GLASS

#### Installation method

For mounting on concealed flushing cisterns

#### Properties

Material: glass

Dual flushing

Colour: white, black

For concealed flushing cisterns 3800 and 380

#### Special features

Simple installation and maintenance

Colour wave appearance through the slot on the button

#### The product contains

All parts required for mounting are supplied with the product including pneumatic lifting unit

Model	Colour	ID No.	EAN code
Itea Duo Glass	white	4060419801	8711778213319
Itea Duo Glass	black	4060419838	8711778213326

Packaging: 12 pcs/carton

### ITEA DUO ALU

#### Installation method

For mounting on concealed flushing cisterns

#### Properties

Material: aluminium

Dual flushing

Colour: aluminium, black

For concealed flushing cisterns 3800 and 380

#### Special features

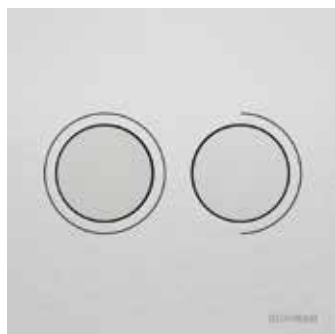
Simple installation and maintenance

#### The product contains

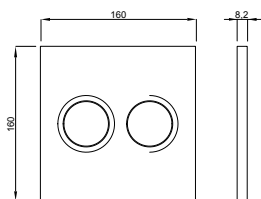
All parts required for mounting are supplied with the product including pneumatic lifting unit

Model	Colour	ID No.	EAN code
Itea Duo Alu	aluminium	4060419745	8711778213302
Itea Duo Alu	black	4060419738	8711778213296

Packaging: 12 pcs/carton



#### Technical drawing



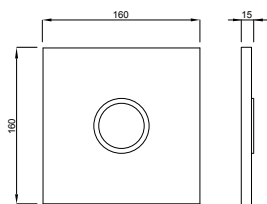
ID No.: 4060419745



ID No.: 4060419738



**Technical drawing**



ID No.: 4060404001

**ITEA STEEL**

**Installation method**

For mounting on concealed flushing cisterns

**Properties**

Material: stainless steel  
For concealed flushing cisterns 3800 and 380

**Special features**

Simple installation and maintenance  
Suitable for public sanitary facilities  
Concealed screw fastening

**The product contains**

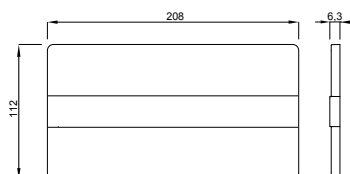
All parts required for mounting are supplied with the product including pneumatic lifting unit

Model	Colour	ID No.	EAN code
Itea Steel	stainless steel	4060404001	8711778212718

Packaging: 12 pcs/carton



**Technical drawing**



ID No.: 4060419911

**KATION DUO**

**Installation method**

For mounting on concealed flushing cisterns

**Properties**

Hygienic non-contact infrared technology flushing  
Material: high-quality plastic  
Dual flushing  
Color: white  
For concealed flushing cisterns 6052

**Special features**

Simple installation and maintenance  
For front flushing activation

**The product contains**

All parts required for mounting are supplied with the product  
Without a power supply unit

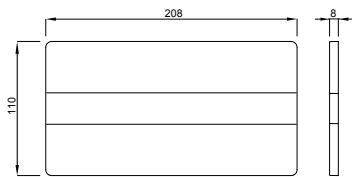
Different power supply options: uninterruptible power supply, plug-in power supply, battery, hydro generator (page 59-60)

Model	Colour	ID No.	EAN code
Kation Duo	white	4060419911	8711778213524

Packaging: 12 pcs./carton



### Technical drawing



ID No.: 4060419921



ID No.: 4060419938

## KATION DUO GLASS

### Installation method

For mounting on concealed flushing cisterns

### Properties

Hygienic non-contact infrared technology flushing

Material: glass

Dual flushing

Color: white, black

For concealed flushing cisterns 6052

### Special features

Simple installation and maintenance

For front flushing activation

Floating impression through shadow gap

### The product contains

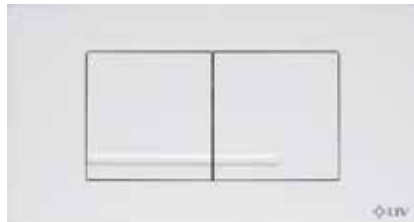
All parts required for mounting are supplied with the product

Without a power supply unit

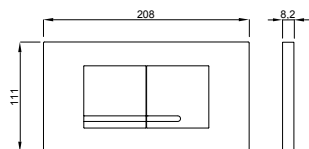
Different power supply options: uninterruptible power supply, plug-in power supply, battery, hydro generator (page 59-60)

Model	Colour	ID No.	EAN code
Kation Duo Glass	white	4060419921	8711778213500
Kation Duo Glass	black	4060419938	8711778213517

Packaging: 12 pcs./carton



### Technical drawing



ID No.: 7030418701



ID No.: 7030418731



ID No.: 7030418751

## REI DUO

### Installation method

For mounting on concealed flushing cisterns

### Properties

Material: high-quality plastic

Dual flushing

Colour: white, matt chrome, gloss chrome

For concealed flushing cisterns 6052

### Special features

Simple installation and maintenance

Top or front flushing activation

### The product contains

All parts required for mounting are supplied with the product

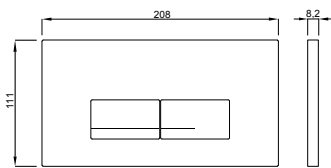
Model	Colour	ID No.	EAN code
Rei Duo	white	7030418701	8711778216273
Rei Duo	matt chrome	7030418731	8711778216280
Rei Duo	gloss chrome	7030418751	8711778216297

Packaging: 20 pcs./carton





**Technical drawing**



ID No.: 4060421201



ID No.: 4060421238

**GAIOS DUO GLASS**

**Installation method**

For mounting on concealed flushing cisterns

**Properties**

Material: glass

Dual flushing

Colour: white, black

For concealed flushing cisterns 6052

**Special features**

Simple installation and maintenance

Top or front flushing activation

Colour wave appearance through the slot on the button

**The product contains**

All parts required for mounting are supplied with the product

Model	Colour	ID No.	EAN code
Gaios Duo Glass	white	4060421201	8711778213401
Gaios Duo Glass	black	4060421238	8711778213418

Packaging: 20 pcs/carton

**GAIOS DUO STEEL**

**Installation method**

For mounting on concealed flushing cisterns

**Properties**

Material: stainless steel

Dual flushing

For concealed flushing cisterns 6052

**Special features**

Simple installation and maintenance

Top or front flushing cisterns activation

**The product contains**

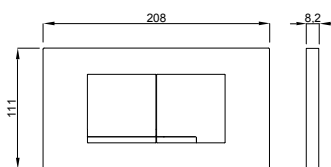
All parts required for mounting are supplied with the product

Model	Colour	ID No.	EAN code
Gaios Duo Steel	stainless steel	4060419001	8711778213227

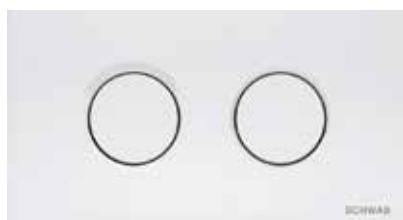
Packaging: 20 pcs/carton



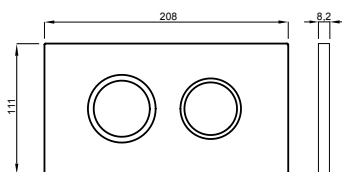
**Technical drawing**



ID No.: 4060419001



#### Technical drawing



ID No.: 4060419301



ID No.: 4060419331



ID No.: 4060419351

## THIRA DUO

### Installation method

For mounting on concealed flushing cisterns

### Properties

Material: high-quality plastic

Dual flushing

Colour: white, matt chrome, gloss chrome

For concealed flushing cisterns 6052

### Special features

Simple installation and maintenance

Top or front flushing activation

### The product contains

All parts required for mounting are supplied with the product including pneumatic lifting unit

Model	Colour	ID No.	EAN code
Thira Duo	white	4060419301	8711778213234
Thira Duo	matt chrome	4060419331	8711778213241
Thira Duo	gloss chrome	4060419351	8711778213258

Packaging: 12 pcs/carton



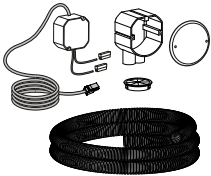
**NEA/KATION UPS POWER SUPPLY**

**Identification No.:** 8050999211  
Packaging: 12 pcs/carton

**Installation method**  
Flushing plate model NEA/KATION

**Properties**  
Input voltage AC 100–240 V~/  
50–60 Hz  
Output voltage DC 5 V / 1 A  
Cable length approx. 2.0 m

**Technical drawing**



**The product contains**  
Installation box with a cover lid  
Empty pipe  
Cover plate



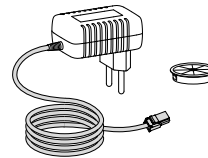
**NEA/KATION POWER SUPPLY**

**Identification No.:** 8050999301  
Packaging: 1 pcs/carton

**Installation method**  
Flushing plate model NEA/KATION

**Properties**  
Input voltage AC 100–240 V~/  
50–60 Hz  
Output voltage DC 5 V / 1 A  
Cable length approx. 1.8 m

**Technical drawing**



**The product contains**  
Cover mounting box



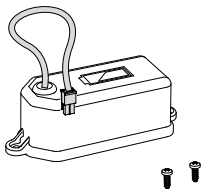
**NEA/KATION BATTERY UNIT**

**Identification No.:** 8050883140  
Packaging: 1 pcs/carton

**Installation method**  
Flushing plate model NEA/KATION

**The product contains**  
6 V – 4 x 1.5 V AA/LR6 batteries  
Includes 4 batteries

**Technical drawing**



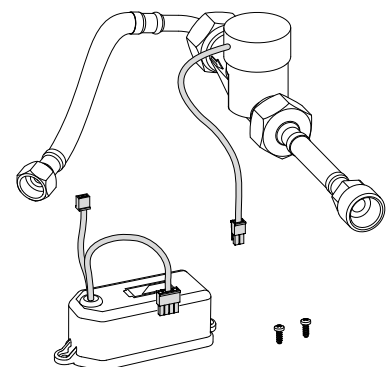
**NEA HYDRO GENERATOR**

**Installation method**  
With hydro generator the operation of the NEA flushing plate is independent of external power supply (230 V or battery)  
The hydro generator is installed in the concealed cistern 3800/380 between angle and fill valve

**Properties**  
The hydro generator generates an electric current with each flush and stores it in a special lithium-ion battery

**The product contains**  
Hydro generator for NEA flushing plate  
Battery housing with lithium-ion battery  
DC 72 V / 1 A  
Flexible connection pipes with seals  
Non-return valve

**Technical drawing**



**Identification No.:** 8050999011  
Packaging: 12 pcs/carton





### KATION HYDRO GENERATOR

#### Installation method

With hydro generator the operation of the KATION flushing plate is independent of external power supply (230 V or battery)  
The hydro generator is installed in concealed cistern 6052 between angle and fill valve

#### Properties

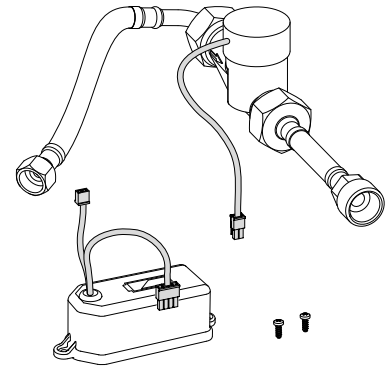
The hydro generator generates an electric current with each flush and stores it in a special lithium-ion battery

#### The product contains

Hydro generator for KATION flushing plate  
Battery housing with lithium-ion battery  
DC 72 V / 1 A  
Flexible connection pipes with seals  
Non-return valve



#### Technical drawing



Identification No.: 8050999130

Packaging: 12 pcs/carton

### TELE BLUE

Identification No.: 4060404232

Packaging: 16 pcs/carton

#### Installation method

Pneumatic triggering suitable for toilet elements 3800 and 380  
Used only in combination with the flushing plate ITEA STEEL

#### Properties

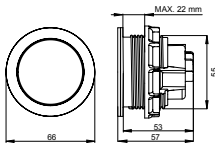
Material: stainless steel

#### The product contains

Air hose approx. 2 m

\* Available on demand

#### Technical drawing



### TELE SCH. + LIFTING UNIT

Identification No.: 4060404238

Packaging: 16 pcs/carton

#### Installation method

For use in combination with toilet elements 3800, 380 and 6052

#### Properties

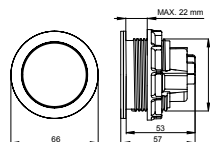
Material: stainless steel

#### The product contains

Pneumatic lifting unit is supplied  
Air hose approx. 2 m

\* Available on demand

#### Technical drawing



### 2X TELE STEEL SET

#### Installation method

Additional triggering with concealed flushing cistern is possible in combination with ITEA STEEL

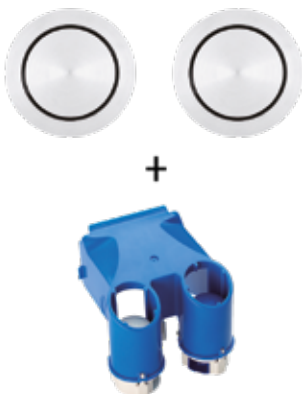
#### Properties

Material: stainless steel  
Suitable for support levers with the supporting plate for pneumatic triggering and 56 mm hole diameter  
Left and right activation (6 l)

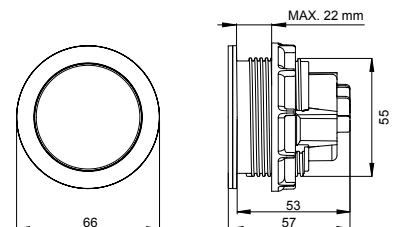
#### The product contains

Pneumatic lifting unit is supplied  
Air hose approx. 2 m

\* Available on demand



#### Technical drawing



Identification No.: 4060404111

Packaging: 1 pcs/carton



**ITEA STEEL COVER PLATE**

**Identification No.:** 4060421119  
Packaging: 12 pcs/carton

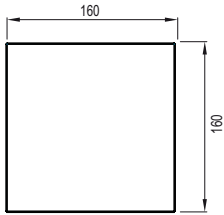
**Installation method**  
For use in combination with toilet elements 3800 and 380

**Properties**  
Material: stainless steel  
Suitable for public sanitary facilities  
Suitable as an inspection opening



8 711 778 213388

**Technical drawing**



**EXTENSION SET FOR FLUSHING PLATES**

**Identification No.:** 665728

**Properties**  
Extended mounting bolts and push pins  
For use with a wall thickness of 80 - 150 mm  
For flushing plates Ruby, Caro, Zircon, Circle, Tempo, Beat, Key, Tune, Aplite Duo, Dots Duo, Selenite Duo, Ovate Duo



3 1838912 1043603



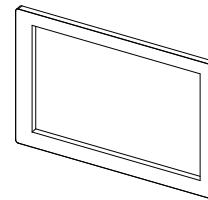
**FLUSHING PLATE ACCESSORY**

**Identification No.:** 323299

**Properties**  
Assembly set for flushing plates Ruby, Caro, Zircon, Circle, Tempo, Beat, Key, Tune, Aplite Duo, Dots Duo, Selenite Duo, Ovate Duo



3 1838912 1033604



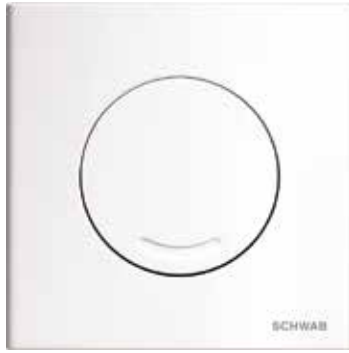
**SPACER FOR FLUSHING PLATE APLITE, SELENITE, DOTS AND OVATE**

**Identification No.:** 651770

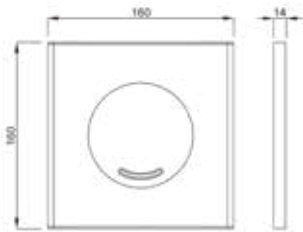
**Properties**  
Distance plate for flushing plates Aplite, Selenite, Dots, Ovate



3 1838912 1043201



#### Technical drawing



ID No.: 4060414501



ID No.: 4060414531



ID No.: 4060414551

## VERIA

#### Installation method

For mounting on LIV-FIX urinal element with a flushing function

#### Properties

Material: high-quality plastic

Colour: white, matt chrome, gloss chrome

For LIV-FIX urinal element (ID No. 8050452777 - LIV-FIX UR MECH. PL)

#### Special features

Simple installation and maintenance

#### The product contains

All parts required for mounting are supplied with the product

Model	Colour	ID No.	EAN code
Veria	white	4060414501	8711778212909
Veria	matt chrome	4060414531	8711778212916
Veria	gloss chrome	4060414551	8711778212923

Packaging: 20 pcs/carton

## ARTE

#### Installation method

For mounting on LIV-FIX urinal element with a flushing function

#### Properties

Material: high-quality plastic

Colour: white, matt chrome, gloss chrome

For LIV-FIX urinal element (ID No. 8050452777 - LIV-FIX UR MECH. PL)

#### Special features

Simple installation and maintenance

#### The product contains

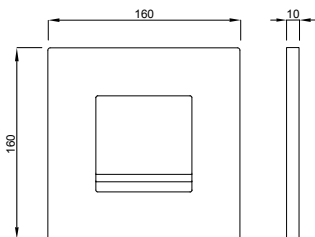
All parts required for mounting are supplied with the product

Model	Colour	ID No.	EAN code
Arte	white	4060415501	8711778212985
Arte	matt chrome	4060415531	8711778212992
Arte	gloss chrome	4060415551	8711778213005

Packaging: 20 pcs/carton



#### Technical drawing



ID No.: 4060415501



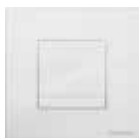
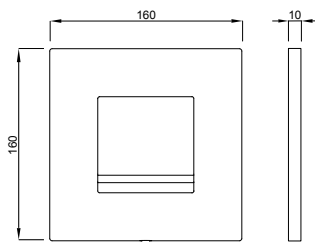
ID No.: 4060415531



ID No.: 4060415551



#### Technical drawing



ID Not.: 4060414101



ID Not.: 4060414131



ID Not.: 4060414151

### ARTE METALL

#### Installation method

For mounting on LIV-FIX urinal element with a flushing function

#### Properties

Material: stainless metal (zinc alloy)

Colour: white, matt chrome, gloss chrome

For LIV-FIX urinal element (ID No. 8050452777 - LIV-FIX UR MECH. PL)

#### Special features

Simple installation and maintenance

#### The product contains

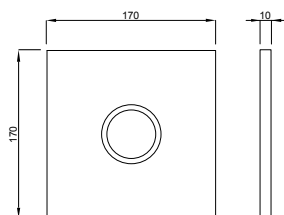
All parts required for mounting are supplied with the product

Model	Colour	ID No.	EAN code
Arte Metall	white	4060414101	8711778212817
Arte Metall	matt chrome	4060414131	8711778212824
Arte Metall	gloss chrome	4060414151	8711778212831

Packaging: 20 pcs/carton



#### Technical drawing



ID. No.: 4060421121

### UR STEEL SV

#### Installation method

For mounting on LIV-FIX urinal element with a flushing function

#### Properties

Material: stainless steel

For LIV-FIX urinal element (ID No. 8050452758 - LIV-FIX UR STEEL SV)

#### Special features

Simple installation and maintenance

Suitable for public sanitary facilities

Concealed screw fastening

#### The product contains

All parts required for mounting are supplied with the product

Model	Colour	ID No.	EAN code
Ur Steel SV	stainless steel	4060421121	8711778213395

Packaging: 20 pcs/carton



### CELESTINE, IR FLUSHING PLATE, 230 V

#### Installation method

For mounting on concealed flushing cistern 9012

#### Properties

Hygienic non-contact infrared technology flushing  
Stainless metal front panel (CrNi) secured against vandalism  
Flushing activation is automatic or by moving your hand towards the sensor  
Adjustable flushing time from 1 to 30 seconds  
Adjustable sensor sensitivity from 25 to 70 cm

#### Special features

IR flushing activation  
Power supply: 230 V/50 Hz  
Operating voltage: 24 V DC  
In case of IR flushing plate assembly, angle valve of concealed flushing cistern should be positioned top right

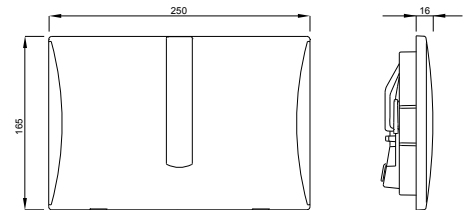
Identification No.: 195080

Packaging: pcs/carton

#### The product contains

Front panel  
Control electronics  
Electric lifting device for drainage set  
Low-voltage servomotors  
Control and reception part with distance detection and background glare prevention  
Parts for mounting flushing plates and electronics  
Transformer

#### Technical drawing



### CELESTINE, IR FLUSHING PLATE, BATTERY, 9 V

#### Installation method

For mounting on concealed flushing cistern 9012

#### Properties

Hygienic non-contact infrared technology flushing  
Stainless metal front panel (CrNi) secured against vandalism  
Flushing activation is automatic or by moving your hand towards the sensor  
Adjustable flushing time from 1 to 30 seconds  
Adjustable sensor sensitivity from 25 to 70 cm

#### Special features

IR flushing activation  
Battery powered: 9 V  
In case of IR flushing plate assembly, angle valve of concealed flushing cistern should be positioned top right

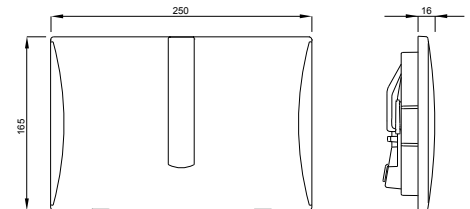
Identification No.: 223767

Packaging: pcs/carton

#### The product contains

Front panel  
Control electronics  
Electric lifting device for drainage set  
Low-voltage servomotors  
Control and reception part with distance detection and background glare prevention  
Parts for mounting flushing plates and electronics  
Battery

#### Technical drawing



### HALITE, IR FLUSHING PLATE FOR URINAL, 230 V

#### Installation method

For installation onto LIV-FIX elements with a non-contact flushing function

#### Properties

Stainless metal front panel (CrNi) secured against vandalism  
Power supply: 230 V/50 Hz  
Rated voltage: 230 V AC  
Operating voltage: 24 V DC  
Automatic detection of user  
Adjustable flushing time: from 1 to 30 seconds  
Adjustable sensor sensitivity: from 25 to 70 cm  
Protection in case of a power failure  
For LIV-FIX urinal element (ID No. 4060452775)

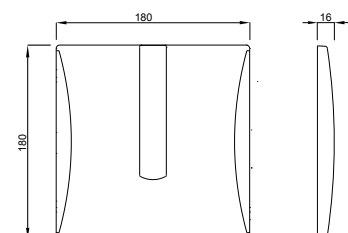
#### The product contains

Front panel  
Control electronics

Control and reception part with distance detection and background glare prevention  
Parts for mounting flushing plates and electronics  
Transformer

Option: Installation directly into solid wall

#### Technical drawing



Identification No.: 195079

Packaging: pcs/carton





**HALITE, IR FLUSHING PLATE FOR URINAL, BATTERY**

**Installation method**

For installation onto LIV-FIX elements with a non-contact flushing function

**Properties**

Stainless metal front panel (CrNi) secured against vandalism

Battery powered: 9 V

Operating voltage: 9 V DC

Automatic detection of user

Adjustable flushing time: from 1 to 30 seconds

Adjustable sensor sensitivity: from 25 to 70 cm

For LIV-FIX urinal element (ID No. 4060452779)

**The product contains**

Front panel

Control electronics

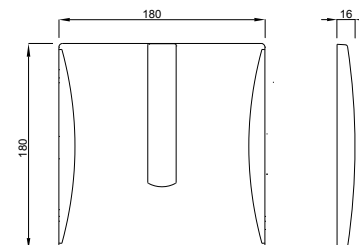
Identification No.: 229581

Packaging: pcs/carton

Control and reception part with distance detection and background glare prevention  
Parts for mounting flushing plates and electronics battery

Option: Installation directly into solid wall

**Technical drawing**



3 1838912 013613



**ROUGH INSTALLATION SET FOR HALITE, IR FLUSHING PLATE FOR URINAL, 230 V**

**Installation method**

For mounting on LIV-FIX urinal element with a non-contact flushing function

**Properties**

For infrared flushing plate for urinal, 230 V (ID No. 195079)

Power supply: 230 V/50 Hz

Rated voltage: 230 V AC

Operating voltage: 24 V DC

For LIV-FIX urinal element (ID No. 8050452751)

**The product contains**

Housing set with fixing elements

Protective set cover

Solenoid valve 24 V DC

Water particle filter with the possibility of filter cleaning

Mechanical angle valve

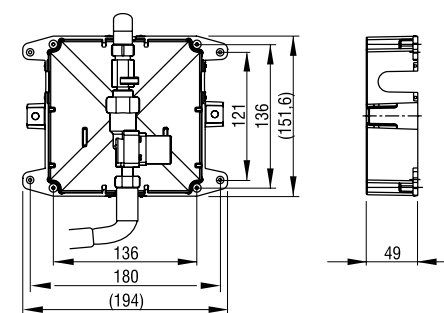
Identification No.: 201498

Packaging: pcs/carton

Water connection DN 15 (1/2")

Option: Installation directly into solid wall

**Technical drawing**



3 1838912 008404



**ROUGH INSTALLATION SET HALITE, IR FLUSHING PLATE FOR URINAL, BATTERY**

**Installation method**

For mounting on LIV-FIX urinal element with a non-contact flushing function

**Properties**

For infrared flushing plate for urinal, 9 V (ID No. 229581)

Battery powered: 9 V

Operating voltage: 9 V DC

For LIV-FIX urinal element (ID No. 8050452751)

**The product contains**

Housing set with fixing elements

Protective set cover

Solenoid valve: 9 V DC

Water particle filter with a filter cleaning option

Mechanical angle valve

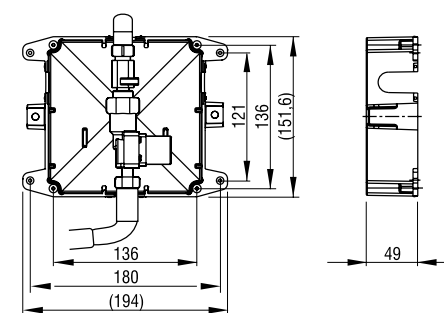
Identification No.: 223761

Packaging: pcs/carton

Water connection DN 15 (1/2")

Option: Installation directly into solid wall

**Technical drawing**



3 1838912 009913



### IR FOR URINALS, EXPOSED, BATTERY

#### Installation method

Exposed installation, connection to the urinal

#### Properties

For non-contact flushing of urinals – automatically

Automatic user detection

Adjustable flushing time: from 1 to 30 s

Adjustable sensor sensitivity (from 5 to 70 cm)

Protection in case of an empty battery

Connecting to the water supply: rear

#### Special features

Infrared management

Battery powered: 9 V

Operating voltage: 9 V DC

Water connection DN 15 (1/2")

#### The product contains

Housing set with fixing elements

Control electronics

Identification No.: **224033**

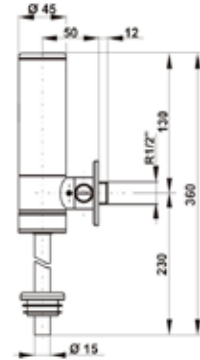
Packaging: pcs/carton

Control and reception part with distance detection and background glare prevention

Solenoid valve 9 V DC

Water particle filter with a filter cleaning option  
Battery

#### Technical drawing



### ELECTROMAGNETIC VALVE, 24 V

Replacement electromagnetic valve

#### Installation method

For drywall urinal element (ID No. 4060452775)

For HALITE, IR flushing plate for urinal, 230 V (ID No. 195079)

For rough installation set for HALITE, IR flushing plate for urinal, 230 V (ID No. 201498)

Power supply: 230 V/50 Hz

Rated voltage: 230 V AC

Operating voltage: 24 V DC

Identification No.: **675170**

Packaging: pcs/carton



### ELECTROMAGNETIC VALVE, 6 V

Replacement electromagnetic valve

#### Installation method

For drywall urinal element (ID No. 4060452779)

For HALITE, IR flushing plate for urinal, battery (ID No. 229581)

For rough installation set for HALITE, IR flushing plate for urinal, battery (ID No. 223761)

Battery powered: 9 V

Operating voltage: 6 V

Identification No.: **675171**

Packaging: pcs/carton



Identification No.: 195270

Packaging: 80 pcs/pallet

### LAGUNA SENSO

with IR sensor system, 230 V

#### Installation method

Wall installation – low installation

#### Properties

Flushing by moving your hand towards the sensor or by pressing the button (mechanical activation)

Flushing volume 6(6–9) l

Option for connecting to the water supply: left or right or rear center

Fully insulated against condensation

Colour: white

#### Special features

Non-contact flushing system

Silent mechanical fill valve

Infrared control

Power supply: 230 V/50 Hz

Rated voltage: 230 V AC

Operating voltage: 24 V DC

#### The product contains

A flexible connecting tube

Flushing pipe 270 x 220 mm, Ø 50/44 mm

All parts required for installation and mounting are supplied with the product

Assembly template

Control electronics

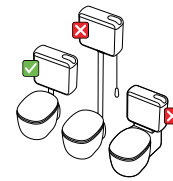
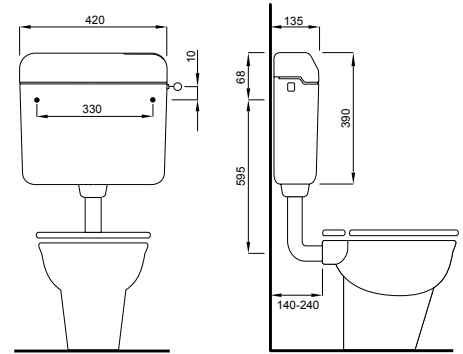
Electric lifting device for drain set

Low-voltage servomotors

Control and receiving part with distance detection and background glare prevention

Transformer

#### Technical drawing



195270  
low installation

#### Installation

method	Colour	ID No.	EAN code
Low	white	195270	3838912113900





# 69 EXPOSED FLUSHING CISTERNS

More than a million satisfied customers decides to purchase exposed LIV flushing cisterns each year.

---

71	DUAL FLUSHING
73	START-STOP FLUSHING
77	NON-CONTACT (IR) FLUSHING
78	ACCESSORIES FOR EXPOSED FLUSHING CISTERNS

---



## EXPOSED FLUSHING CISTERNS

Flushing cisterns model	Low installation	High installation	Monoblock	Corner installation	Flushing volume	Dual flushing	Start-stop flushing	IR activation	G 3/8 water connector (*)
LAGUNA	■	■			6(6-9) L		■		L/R/C
LAGUNA DUO	■				3/6 L	■			L/R/C
LAGUNA MONOBLOCK			■		6(6-9) L		■		L/R/C
LAGUNA SENSO	■				6(6-9) L			■	L/R/C
VISION	■	■			6(6-9) L		■		L/R/C
VISION DUO	■				3/6 L	■			L/R/C
VISION MONOBLOCK			■		6(6-9) L		■		L/R/C
CRYSTAL	■				6(6-9) L		■		L/R/C
CRYSTAL DUO	■				3/6 L	■			L/R/C
CORAL	■	■			6(4/7) L		■		L/R/C
CORAL DUO	■				3/6 L	■			L/R/C
ADRIA	■				6(4,5/6) L		■		L/R
CIKLON PLUS	■	■			6(6-9) L		■		L/R/C
FORTUNA	■				6(6-9) L		■		L/R
LINEA	■			■	6(6-9) L		■		L/R

\* L = left, R = right, C = concealed rear flushing cistern connection (an additional assembly required) and G 1/2 available on demand



**Identification No.:**  
**195357** – low installation  
**195003** – monoblock installation  
 Packaging: 80 pcs/pallet

**LAGUNA DUO**

**Installation method**  
 Wall installation – low installation

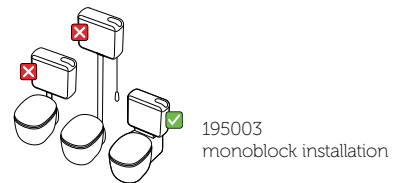
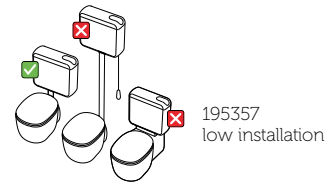
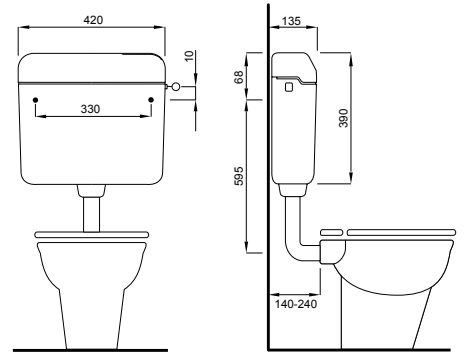
**Properties**  
 Dual flushing  
 3/6 l flushing volume  
 Possibility to connect the water supply: left, right or rear center  
 Fully insulated against condensation  
 Colour: white

**Special features**  
 Flushing system on the right side  
 Silent mechanical fill valve

**The product contains**  
 Flexible connecting tube  
 Flushing pipe 270 x 220 mm, Ø 50/44 mm (low installation)  
 All parts required for installation and mounting are supplied with the product  
 Assembly template

Installation method	Colour	ID No.	EAN code
Low installation	white	195357	3838912121806
Monoblock	white	195003	3838912489340

**Technical drawing**



**Identification No.:**  
**195005** – low installation  
**195039** – monoblock installation  
 Packaging: 80 pcs/pallet

**VISION DUO**

**Installation method**  
 Wall installation – low installation

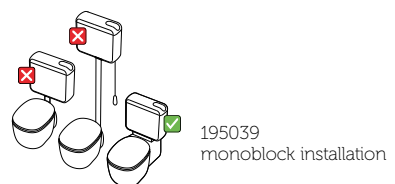
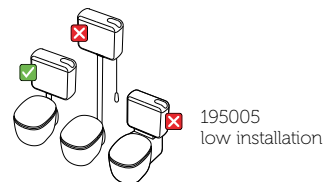
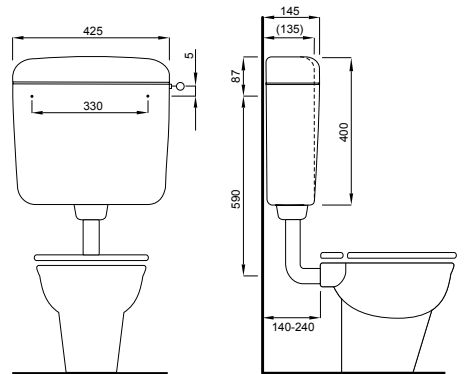
**Properties**  
 Dual flushing  
 3/6 l flushing volume  
 Possibility to connect the water supply: left, right or rear center  
 Fully insulated against condensation  
 Colour: white

**Special features**  
 Flushing system on the right side  
 Silent mechanical fill valve

**The product contains**  
 Flexible connecting tube  
 Flushing pipe 270 x 220 mm, Ø 50/44 mm (low installation)  
 All parts required for installation and mounting are supplied with the product  
 Assembly template

Installation method	Colour	ID No.	EAN code
Low installation	white	195005	3838912000705
Monoblock	white	195039	3838912002426

**Technical drawing**





**CORAL DUO**

**Installation method**  
Wall installation – low installation

**Properties**  
Dual flushing  
3/6 l flushing volume  
Possibility to connect the water supply: left, right or rear center  
Fully insulated against condensation  
Colour: white

**Special features**  
Flushing system on the right side  
Silent mechanical fill valve

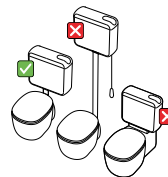
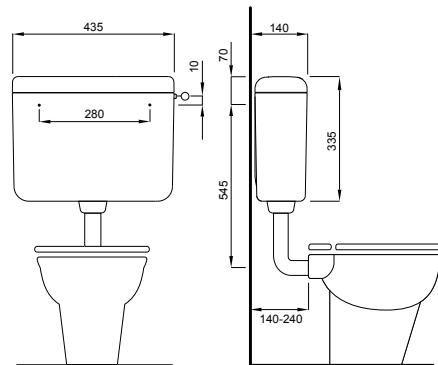
**The product contains**  
Flexible connecting tube  
Flushing pipe 325 x 220 mm, Ø 50/44 mm  
All parts required for installation and mounting are supplied with the product  
Assembly template

**Installation method**      **Colour**      **ID No.**      **EAN code**  
Low installation      white      600030      3838912026927



**Identification No.:** 600030  
Packaging: 80 pcs/pallet

**Technical drawing**



600030  
low installation



**CRYSTAL DUO**

**Installation method**  
Wall installation – low installation

**Properties**  
Dual flushing  
3/6 l flushing volume  
Possibility to connect the water supply: left, right or rear center  
Fully insulated against condensation  
Colour: white

**Special features**  
Flushing system in the center  
Silent hydraulic fill valve

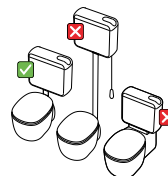
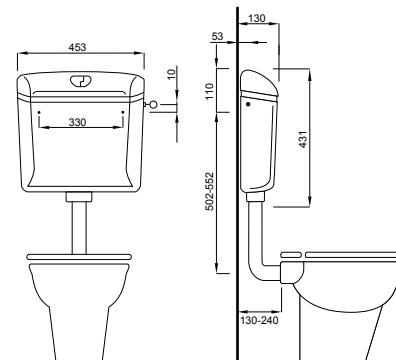
**The product contains**  
Flexible connecting tube  
Flushing pipe 270 x 220 mm, Ø 50/44 mm  
All parts required for installation and mounting are supplied with the product

**Installation method**      **Colour**      **ID No.**      **EAN code**  
Low      white      7030423800      8711778216433



**Identification No.:** 7030423800  
Packaging: 48 pcs/pallet

**Technical drawing**



7030423800  
low installation





3 838912 148469 1



Identification No.: 196519

Packaging: 80 pcs/pallet

**LAGUNA**

**Installation method**

Wall installation – low or high installation

**Properties**

Start-Stop flushing  
 6(6–9) l flushing volume  
 Possibility to connect the water supply: left, right or rear center  
 Fully insulated against condensation  
 Colour: white, beige, calypso, bermuda

**Special features**

Flushing system on right side  
 Silent mechanical fill valve  
 High installation option

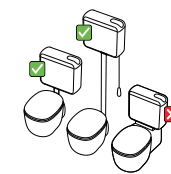
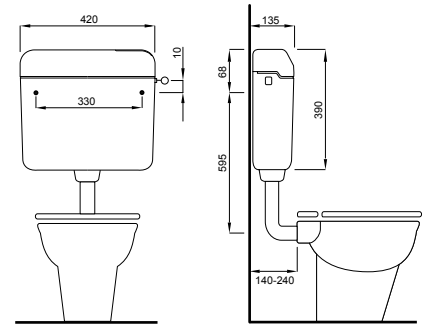
**The product contains**

Flexible connecting tube  
 Flushing pipe 270 x 220 mm, Ø 50/44 mm (low installation)  
 All parts required for installation and mounting are supplied with the product  
 Assembly template

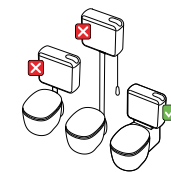
**Installation**

method	Colour	ID	EAN code
Low or high	white	196519	3838912484697
Low or high	beige	196563	3838912488756
Low or high	calypso	196593	3838912489104
Low or high	bermuda	196691	3838912493934
Monoblock	white	196600	3838912489340

**Technical drawing**



196519  
 196563  
 196593  
 196691  
 low or high installation



196600  
 monoblock installation



3 838912 103604



Identification No.: 195200

Packaging: 80 pcs/pallet

**VISION**

**Installation method**

Wall installation – low or high installation

**Properties**

Start-Stop flushing  
 6(6–9) l flushing volume  
 Possibility to connect the water supply: left, right or rear center  
 Fully insulated against condensation  
 Colour: white

**Special features**

Flushing system on the right side  
 Silent mechanical fill valve  
 High installation option

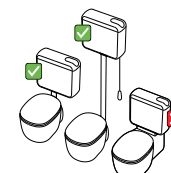
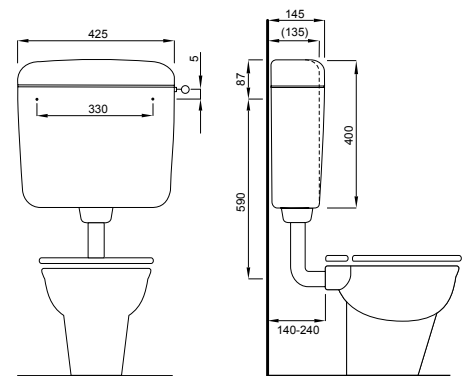
**The product contains**

Flexible connecting tube  
 Flushing pipe 270 x 220 mm, Ø 50/44 mm (low installation)  
 All parts required for installation and mounting are supplied with the product  
 Assembly template

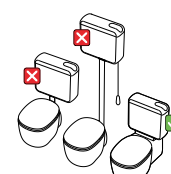
**Installation**

method	Colour	ID No.	EAN code
Low or high	white	195200	3838912103604
Monoblock	white	195232	3838912109903

**Technical drawing**



195200  
 low or high installation



195232  
 monoblock installation



3 1838912 038623



Identification No.: **635242**

Packaging: 80 pcs/pallet

## CORAL

### Installation method

Wall installation – low or high installation

### Properties

Start-Stop flushing

6(4/7) l flushing volume

Possibility to connect the water supply: left, right or rear center

Fully insulated against condensation

Colour: white

### Special features

Flushing system on the right side

Silent mechanical fill valve

High installation option

### The product contains

Flexible connecting tube

Flushing pipe 325 x 220 mm, Ø 50/44 mm (low installation)

All parts required for installation and mounting are supplied with the product

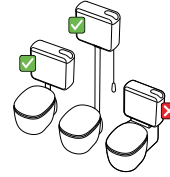
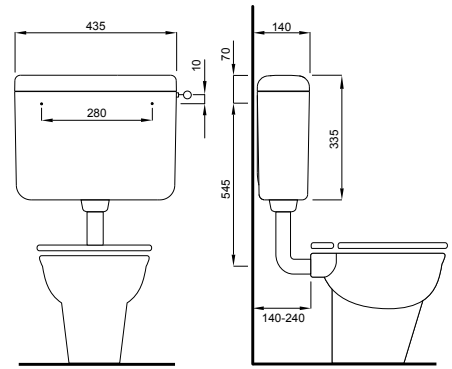
Assembly template

### Installation

**method**    **Colour**   **ID No.**   **EAN code**

Low or high   white   635242   3838912038623

### Technical drawing



635242  
low or high installation



3 1838912 116000



Identification No.: **195292**

Packaging: 80 pcs/pallet

## CIKLON PLUS

### Installation method

Wall installation – low or high installation

Particularly suitable for high installation

### Properties

Start-Stop flushing

6(6–9) l flushing volume

Possibility to connect the water supply: left, right or rear center

Fully insulated against condensation

Colour: white

### Special features

Flushing system on the right side

Silent mechanical fill valve

High installation option

### The product contains

Flexible connecting tube

Flushing pipe 270 x 220 mm, Ø 50/44 mm (low installation)

All parts required for installation and mounting are supplied with the product

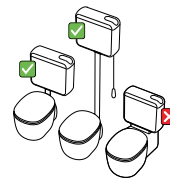
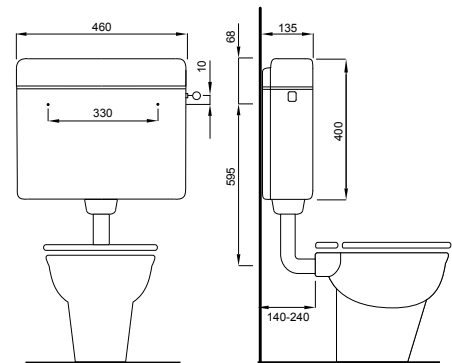
Assembly template

### Installation

**method**    **Colour**   **ID No.**   **EAN code**

Low or high   white   195292   3838912116000

### Technical drawing



195292  
low or high installation



Identification No.: **229105**  
Packaging: 64 pcs/pallet

**ADRIA**

**Installation method**  
Wall installation – low installation

**Properties**  
Start-Stop flushing  
6(4.5–6) l flushing volume  
Possibility to connect the water supply: left, right  
Fully insulated against condensation  
Colour: white

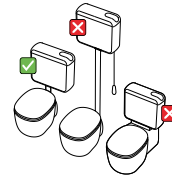
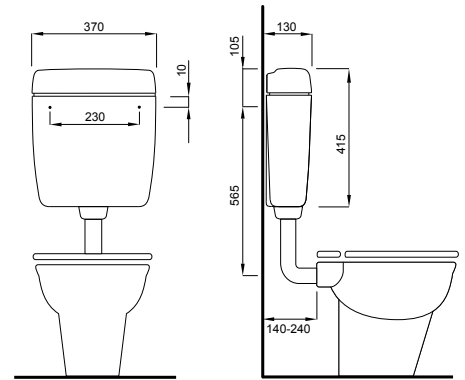
**Special features**  
Flushing system on the right side  
Silent mechanical fill valve

**The product contains**  
Flexible connecting tube  
Flushing pipe 270 x 220 mm, Ø 50/44 mm  
All parts required for installation and mounting are supplied with the product  
Assembly template

**Installation**

method	Colour	ID No.	EAN code
Low installation	white	229105	3838912011800

**Technical drawing**



229105  
low installation



3 838912 011800



Identification No.: **7030424100**  
Packaging: 48 pcs/pallet

**CRYSTAL**

**Installation method**  
Wall installation – low installation

**Properties**  
Start-Stop flushing  
6(6–9) l flushing volume  
Possibility to connect the water supply: left, right or rear center  
Fully insulated against condensation  
Colour: white

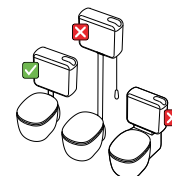
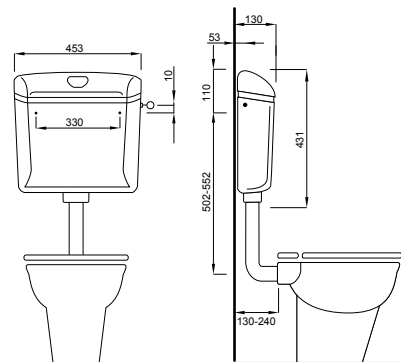
**Special features**  
Flushing system in the center  
Silent hydraulic fill valve

**The product contains**  
Flexible connecting tube  
Flushing pipe 270 x 220 mm, Ø 50/44 mm  
All parts required for installation and mounting are supplied with the product

**Installation**

method	Colour	ID No.	EAN code
Low installation	white	7030424100	8711778216426

**Technical drawing**



7030424100  
low installation



8 711778 216426



8 711778 216440



Identification No.: 7030422640

Packaging: 56 pcs/pallet

## FORTUNA

### Installation method

Wall Installation – low installation

### Properties

Start-Stop flushing

6(6–9) l flushing volume

Possibility to connect the water supply: left, right

Partially insulated against condensation

Colour: white

### Special features

Flushing system in the center

Silent hydraulic fill valve

### The product contains

Flexible connecting tube

Flushing pipe 270 x 220 mm, Ø 50/44 mm

All parts required for installation and mounting

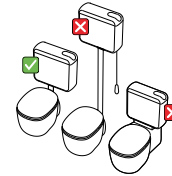
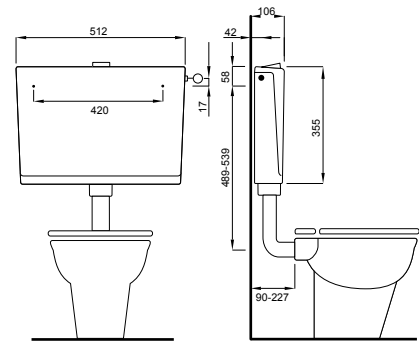
are supplied with the product

### Installation

method Colour ID No. EAN code

Low white 7030422640 8711778216440

### Technical drawing

7030422640  
low installation

8 711778 216457



Identification No.: 7030428401

Packaging: 80/pallet

## LINEA

### Installation method

Wall installation – corner installation

### Properties

Start-Stop flushing

6(6–9) l flushing volume

Possibility to connect the water supply: left, right

Partially insulated against condensation

Colour: white

### Special features

Flushing system on the right

Hydraulic fill valve

### The product contains

Flexible connecting tube

Flushing pipe 270 x 220 mm, Ø 50/44 mm

All parts required for installation and mounting

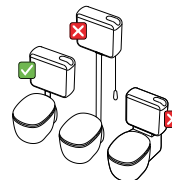
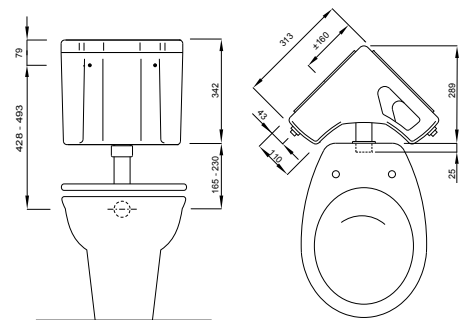
are supplied with the product

### Installation

method Colour ID No. EAN code

Corner white 7030428401 8711778216457

### Technical drawing

7030428401  
low installation



Identification No.: 195270

Packaging: 80 pcs/pallet

### LAGUNA SENSO

with IR sensor system, 230 V

#### Installation method

Wall installation – low installation

#### Properties

Flushing by moving your hand towards the sensor or by pressing the button (mechanical activation)

Flushing volume 6(6–9) l

Option for connecting to the water supply: left or right or rear center

Fully insulated against condensation

Colour: white

#### Special features

Non-contact flushing system

Silent mechanical fill valve

Infrared control

Power supply: 230 V/50 Hz

Rated voltage: 230 V AC

Operating voltage: 24 V DC

#### The product contains

A flexible connecting tube

Flushing pipe 270 x 220 mm, Ø 50/44 mm

All parts required for installation and mounting are supplied with the product

Assembly template

Control electronics

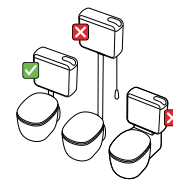
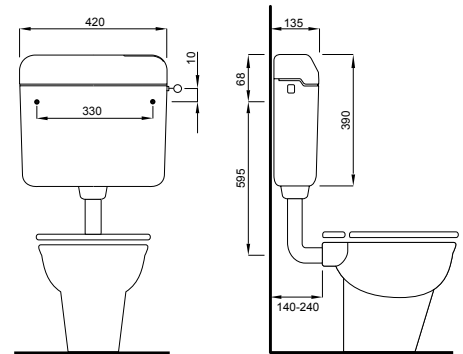
Electric lifting device for drain set

Low-voltage servomotors

Control and receiving part with distance detection and background glare prevention

Transformer

#### Technical drawing



195270  
low installation

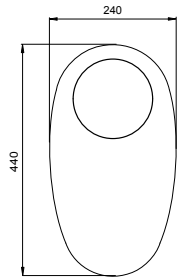
#### Installation

method	Colour	ID No.	EAN code
Low	white	195270	3838912113900



**INSULATION SET (TOILET BOWL)**Identification No.: **1409141001****Properties**Colour: white  
440 x 240 mm

8 711 778 113237

**Technical drawing****HANDLE WITH CORD SET FOR HIGH INSTALLATION**Identification No.: **196903**

Packaging: 50 pcs/NZ9



3 838912 501813

**CLAMP**Identification No.: **195190**

Packaging: 30 pcs/NZ9

**The product contains**Clamp  
Screw and wall insert

3 838912 102218

**VISION MONOBLOCK SET**Identification No.: **195255**

Packaging: 25 pcs/NZ9

**The product contains**Elements for mounting the cistern  
Gasket

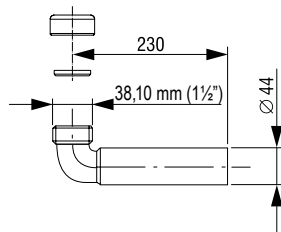
3 838912 111616

**ELBOW Ø 40/44**Identification No.: **196912**

Packaging: 25 pcs/NZ8



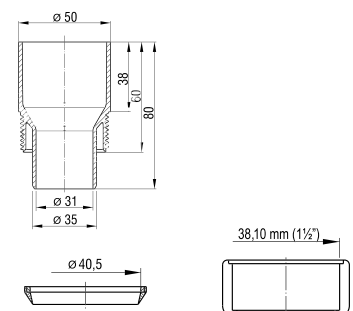
3 838912 502032

**Technical drawing****REDUCTION SLEEVE (NUT AND SEAL)**Identification No.: **196902**

Packaging: 20 pcs/NZ9



3 838912 501783

**Technical drawing**



**PIPE FOR LOW INSTALLATION  
FLUSHING CISTERN SET,  
550 x 300 mm**

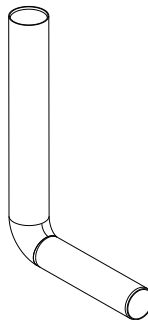
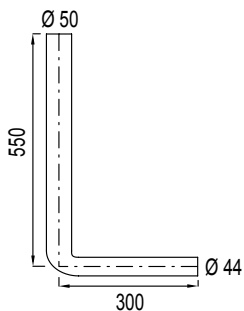
**Identification No.:** 645165

Packaging: 12 pcs/carton

**Properties**

Ø 50/44 mm  
550 x 300 mm

**Technical drawing**



**PIPE FOR LOW INSTALLATION  
FLUSHING CISTERN SET,  
325 x 220 mm**

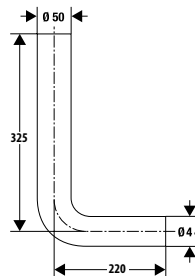
**Identification No.:** 674830

Packaging: 40 pcs/carton

**Properties**

Ø 50/44 mm  
325 x 220 mm

**Technical drawing**



**TUBE FOR HIGH  
INSTALLATION FLUSHING  
CISTERN SET**

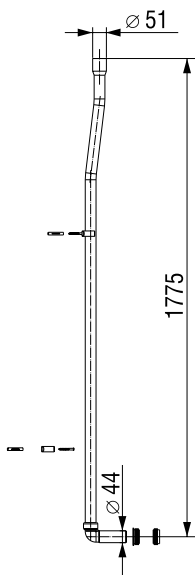
**Identification No.:** 196911

Packaging: 30 pcs/carton

**Properties**

Ø 51/44 mm  
Length 1775 mm

**Technical drawing**



**PIPE FOR LOW INSTALLATION  
FLUSHING CISTERN SET,  
270 x 220 mm**

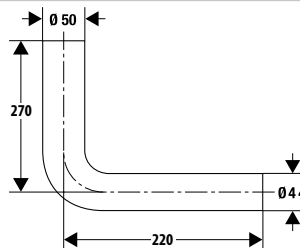
**Identification No.:** 195774

Packaging: 12 pcs/carton

**Properties**

Pipe elbow with a white rosette  
and a toilet bowl seal  
Ø 50/44

**Technical drawing**







# 81 **FILL AND FLUSH VALVE**

---

82 FILL VALVES

---

84 FLUSH VALVES

---

85 VALVE KITS

---



**Identification No.:**

747E-037-P20

Packing: 20 pcs./carton

**FILL VALVE 747, brass shank G 3/8****Purpose**

Suitable for concealed and exposed flushing cisterns

Suitable for ceramic cisterns

**Properties**

Compact and durable hydraulic filling valve

Side mount valve

Suitable for high and low pressure (restrictor added in the shank)

Extremely quiet operation (Class 1)

Short filling time

Water level adjusting screw

Anti-corrosion material

Unique self-cleaning valve mechanism

Fast and easy to install

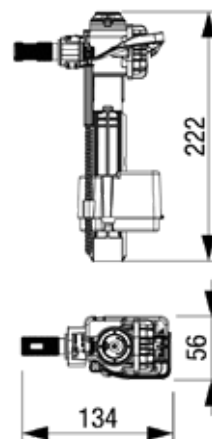
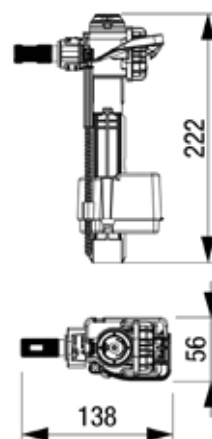
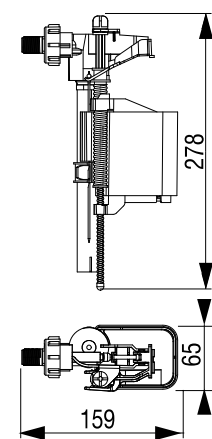
Proven and reliable quality

Consistent performance

Installation sheet included

**Technical specifications**

Brass shank G 3/8 x 39 mm

**Technical drawing****Technical drawing****Technical drawing****Identification No.:**

747U-038-P20

Packaging: 20 pcs./carton

**FILL VALVE 747, brass shank G 1/2****Purpose**

Suitable for concealed and exposed flushing cisterns

Suitable for ceramic cisterns

**Properties**

Compact and durable hydraulic filling valve

Side mount valve

Suitable for high and low pressure (restrictor added in the shank)

Extremely quiet operation (Class 1)

Short filling time

Water level adjusting screw

Anti-corrosion material

Unique self-cleaning valve mechanism

Fast and easy to install

Proven and reliable quality

Consistent performance

Installation sheet included

**Technical specifications**

Brass shank G 1/2 x 44 mm

**Identification No.:**

229109

Packing: 40 pcs./carton

**FILL VALVE HDV, brass shank G 3/8****Purpose**

Suitable for concealed and exposed flushing cisterns

**Properties**

Extremely robust and durable mechanical filling valve

Side mount valve

Suitable for high and low pressure

Resistant to small-sized particles in inflow water

Extremely quiet operation (Class 1)

Short filling time

Water level adjusting screw

Fast and easy to install

Proven and reliable quality

Consistent performance

Installation sheet included

**Technical specifications**

Brass shank G 3/8 x 21 mm



**FILL VALVE HVK, brass shank G 3/8**

**Purpose**

Suitable for concealed and exposed flushing cisterns

**Properties**

- Durable hydraulic filling valve
- Side mount valve
- Extremely quiet operation (Class 1)
- Fast filling time
- Water level adjusting screw
- Telescopic tube
- Fast and easy to install
- Proven and reliable quality
- Consistent performance
- Installation sheet included

**Technical specifications**

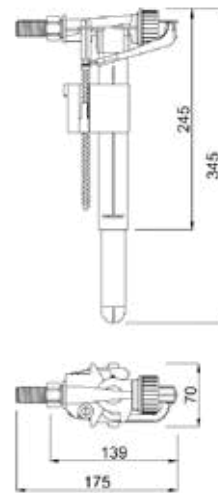
Brass shank G 3/8 x 33 mm

**Identification No.:**

8035432795

Packing: 36 pcs./carton

**Technical drawing**



8 035432795



**FILL VALVE 400, brass shank G 1/2**

**Purpose**

Suitable for exposed plastic and ceramic flushing cistern with bottom water connection

**Properties**

- Bottom mount valve
- Adjustable valve height (230 – 355 mm)
- Suitable for high and low pressure
- Extremely quiet operation (Class 1)
- Fast filling time
- Unique self-cleaning valve mechanism
- Fast and easy to install
- Proven and reliable quality
- Consistent performance
- Installation sheet included

**Technical specifications**

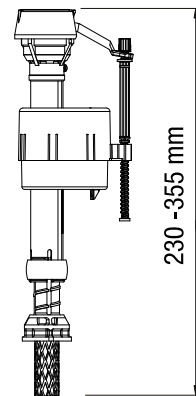
Brass shank G 1/2 x 50 mm

**Identification No.:**

400U-026-P25

Packing: 25 pcs./carton

**Technical drawing**



3 8389121063472



**FILL VALVE 400, plastic shank G 3/8**

**Purpose**

Suitable for exposed plastic and ceramic flushing cistern with bottom water connection

**Properties**

- Bottom mount valve
- Adjustable valve height (230 – 355 mm)
- Suitable for high and low pressure
- Extremely quiet operation (Class 1)
- Fast filling time
- Unique self-cleaning valve mechanism
- Fast and easy to install
- Proven and reliable quality
- Consistent performance
- Installation sheet included

**Technical specifications**

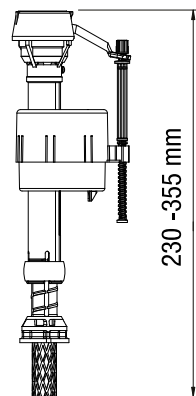
Plastic shank G 3/8 x 43 mm

**Identification No.:**

400E-027-P25

Packing: 25 pcs./carton

**Technical drawing**



3 8389121063465



Identification No.:

400E-025-P25

Packing: 25 pcs./carton

### FILL VALVE 400, brass shank G 3/8

#### Purpose

Suitable for exposed plastic and ceramic flushing cistern with bottom water connection

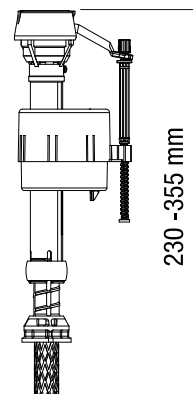
#### Properties

Bottom mount valve  
Adjustable valve height (230 – 355 mm)  
Suitable for high and low pressure  
Extremely quiet operation (Class 1)  
Fast filling time  
Unique self-cleaning valve mechanism  
Fast and easy to install  
Proven and reliable quality  
Consistent performance  
Installation sheet included

#### Technical specifications

Brass shank G 3/8 x 43 mm

#### Technical drawing



230 - 355 mm



Identification No.:

550B-005-P15

Packing: 15 pcs./carton

### FLUSH VALVE 550, outlet pipe G 2

#### Purpose

Suitable for ceramic monoblock cisterns

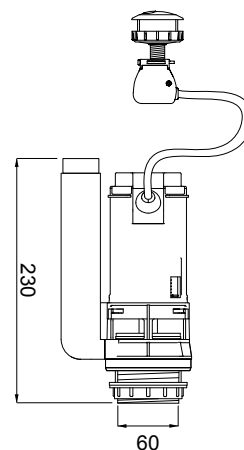
#### Properties

Dual flush valve with mechanical activation  
Full and partial flush option available  
Adjustable overflow height (215,9 – 342,9 mm)  
Cable length 550 mm for maximum flexibility  
Easily activated with dual flush button  
Possibility of installing the activation button in different positions of the cistern (top, front, side)  
For cistern button hole  $\varnothing$  18 – 40 mm  
Adjustable for many ceramic cisterns  
Long lasting silicone seal  
"Twist & Release" action for simple maintenance  
Robust design  
Fast and easy to install  
Proven and reliable quality  
Consistent performance  
Installation sheet included

#### Technical specifications

Outlet pipe G 2

#### Technical drawing



230

60



Identification No.:

820F-013-P15

Packing: 15 pcs./carton

### FLUSH VALVE 820, outlet pipe G 2

#### Purpose

Suitable for ceramic monoblock cisterns

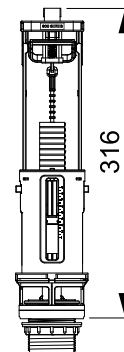
#### Properties

Dual flush valve with mechanical activation  
Full and partial flush adjustment available  
Height adjustable flush valve (274 – 394 mm)  
Installation of activation button in the middle of upper part of the cistern  
Diameter of activation button 38 mm  
Top central button position  
"Twist & Release" action for simple maintenance  
Long lasting silicone seal  
Fast and easy to install  
Proven and reliable quality  
Consistent performance  
Installation sheet included

#### Technical specifications

Outlet pipe G 2

#### Technical drawing



316



### KIT 747 & 550 (FILL VALVE 747 & FLUSH VALVE 550)

#### Valve kits

Suitable for many plastic and ceramic mono-block flushing cisterns  
Fast and easy to install  
Proven and reliable quality  
Consistent performance  
Installation sheet included

#### Fill valve properties

Compact and durable hydraulic filling valve  
Side mount valve  
Suitable for high and low pressure (restrictor added in the shank)  
Extremely quiet operation (Class 1)  
Short filling time  
Water level adjusting screw  
Anti-corrosion material  
Unique self-cleaning valve mechanism  
Brass shank G 3/8 x 39 mm

#### Flush valve properties

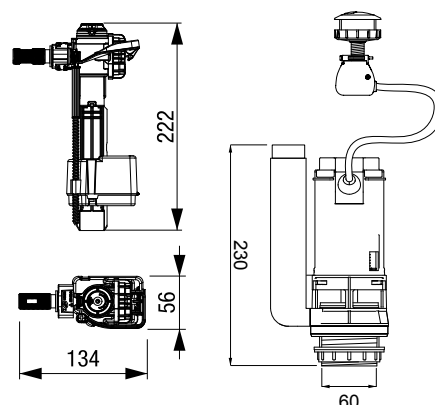
Dual flush valve with mechanical activation  
Full and partial flush option available  
Adjustable overflow height (215,9 – 342,9 mm)  
Cable length 550 mm for maximum flexibility  
Easily activated with dual flush button  
Possibility of installing the activation button in different positions of the cistern (top, front, side)  
For cistern button hole  $\varnothing$  18 – 40 mm  
Adjustable for many ceramic cisterns  
"Twist & Release" action for simple maintenance  
Long lasting silicone seal  
Robust design  
Outlet pipe G 2

#### Identification No.:

K-747E-035-P10

Packing: 10 pcs./carton

#### Technical drawing



3 18389 121063557



### KIT 747 & 820 (FILL VALVE 747 & FLUSH VALVE 820)

#### Valve kits

Suitable for many plastic and ceramic mono-block flushing cisterns  
Fast and easy to install  
Proven and reliable quality  
Consistent performance  
Installation sheet included

#### Fill valve properties

Compact and durable hydraulic filling valve  
Side mount valve  
Suitable for high and low pressure (restrictor added in the shank)  
Extremely quiet operation (Class 1)  
Short filling time  
Water level adjusting screw  
Anti-corrosion material  
Unique self-cleaning valve mechanism  
Brass shank G 3/8 x 39 mm

#### Flush valve properties

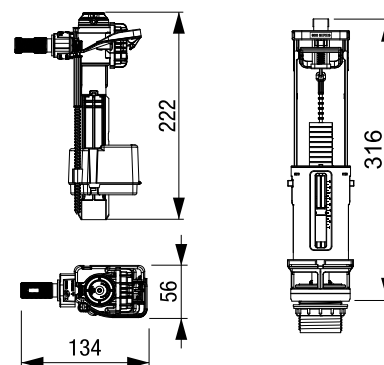
Dual flush valve with mechanical activation  
Full and partial flush adjustment available  
Height adjustable flush valve (274 – 394 mm)  
Installation of activation button in the middle of upper part of the cistern  
Diameter of activation button 38 mm  
Top central button position  
"Twist & Release" action for simple maintenance  
Long lasting silicone seal  
Outlet pipe G 2

#### Identification No.:

K-747E-034-P10

Packing: 10 pcs./carton

#### Technical drawing



3 18389 121063540

**Identification No.:**

K-400E-024-P10

Packing: 10 pcs./carton

**KIT 400 & 550 (FILL VALVE 400 & FLUSH VALVE 550)****Valve kits**

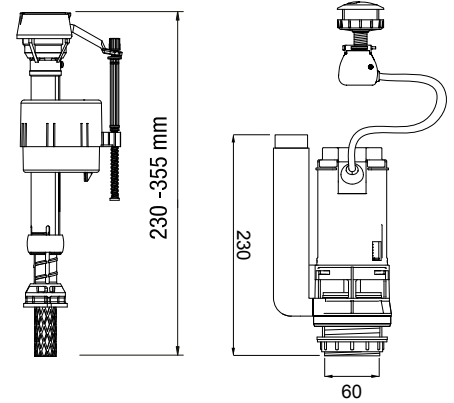
Suitable for many plastic and ceramic mono-block flushing cisterns  
 Fast and easy to install  
 Proven and reliable quality  
 Consistent performance  
 Installation sheet included

**Fill valve properties**

Bottom mount valve  
 Adjustable valve height (230 – 355 mm)  
 Suitable for high and low pressure  
 Extremely quiet operation (Class 1)  
 Fast filling time  
 Unique self-cleaning valve mechanism  
 Brass shank G 3/8 x 43 mm

**Flush valve properties**

Dual flush valve with mechanical activation  
 Full and partial flush option available  
 Adjustable overflow height (215,9 – 342,9 mm)  
 Cable length 550 mm for maximum flexibility  
 Easily activated with dual flush button  
 Possibility of installing the activation button in different positions of the cistern (top, front, side)  
 For cistern button hole  $\varnothing$  18 – 40 mm  
 Adjustable for many ceramic cisterns  
 "Twist & Release" action for simple maintenance  
 Long lasting silicone seal  
 Robust design  
 Outlet pipe G 2

**Technical drawing**

# 87 TOILET SEATS

The range of different toilet seats from LIV program provides a suitable solution for different types of sanitary facilities. Extremely resistant toilet seats are made of high-quality plastics and stainless metal hinges. They are suitable for wall-hung and floor mounted toilet bowls.

Most of them are equipped with soft closing mechanism and quick release system, all of them with eccentric adjustable stainless metal hinges.

Top fix mounting ensures that the toilet seat can be mounted quickly and comfortably.

All toilet seats are carefully tested for strength according to the DIN 19516: 2005-05 standard and pass an endurance test according to the NF 240 standard.

---

89	TOILET SEATS
91	HINGES AND BUFFERS

---



# TOILET SEATS

TOILET SEATS				HINGES				
COLOUR	MATERIAL		Soft close	Detachable with quick-release system	MATERIAL		Off-set	FIXATION
White	Duroplast	Termoplast			Stainless metal	Plastic		Top fix

ZODIAC S	■	■		■	■	■		■	■
AQUARIUS S	■	■		■	■	■		■	■
CAPELLA	■		■	■			■	■	
LIBRA QR	■	■			■	■		■	■
MARS S	■	■		■		■		■	
VIRGO S	■	■		■	■	■		■	■
CARE	■	■				■		■	■





### ZODIAC S

#### Installation method

Suitable for wall-hung and floor mounted toilet bowls

#### Properties

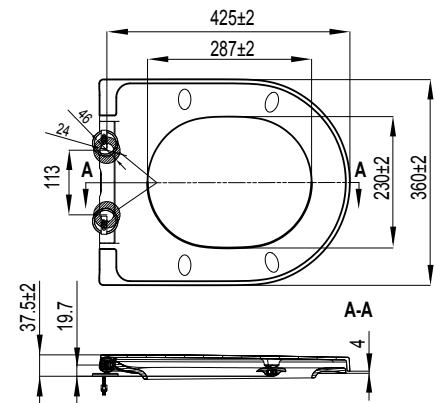
Material: duroplast  
 Weight: 2,4 kg  
 Soft close  
 Detachable with quick-release system  
 Off-set adjustable stainless metal hinges  
 Scratch and wear resistant  
 4 interchangeable toilet seat buffers  
 Easy fixation from above (Top fix)  
 Slim line  
 Persistent color

Identification No.: **1409268501**

Packaging: 5 pcs/carton

Colour	ID No.	EAN code
White	1409268501	8711778221338

#### Technical drawing



8 711778 221338



### AQUARIUS S

#### Installation method

Suitable for wall-hung and floor mounted toilet bowls

#### Properties

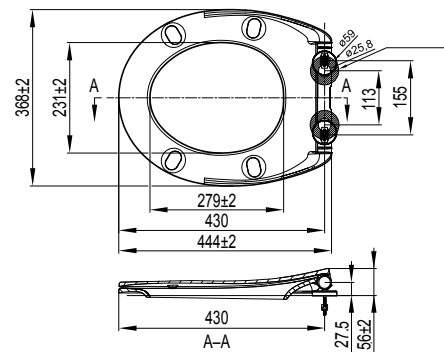
Material: duroplast  
 Weight: 2,8 kg  
 Soft close  
 Detachable with quick-release system  
 Off-set adjustable stainless metal hinges  
 Scratch and wear resistant  
 4 interchangeable toilet seat buffers  
 Easy fixation from above (Top fix)  
 Slim line  
 Persistent color

Identification No.: **1409268301**

Packaging: 5 pcs/carton

Colour	ID No.	EAN code
White	1409268301	8711778221314

#### Technical drawing



8 711778 221314



### CAPELLA

#### Installation method

Suitable for wall-hung and floor mounted toilet bowls

#### Properties

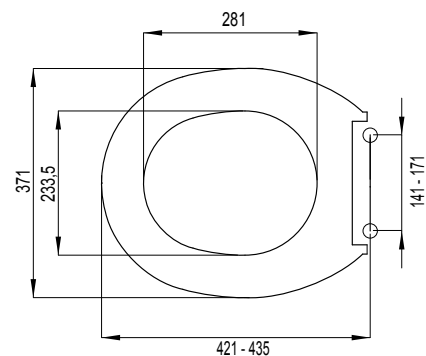
Material: thermoplastic  
 Weight 1.26 kg  
 Soft close  
 Off-set adjustable plastic hinges

Identification No.: **1409269801**

Packaging: 5 pcs/carton

Colour	ID No.	EAN code
White	1409269801	8711778226302

#### Technical drawing



8 711778 226302



**LIBRA QR**

**Installation method**

Suitable for wall-hung and floor mounted toilet bowls

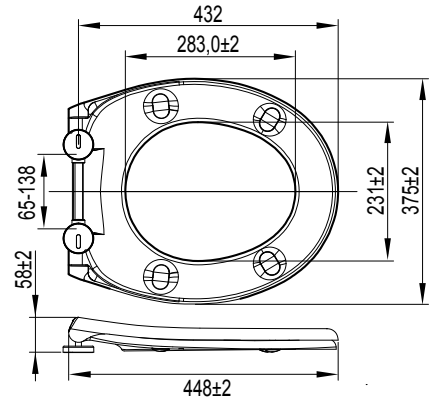
**Properties**

Material: duroplast  
 Weight: 2,0 kg  
 Detachable with quick-release system  
 Off-set adjustable stainless metal hinges  
 Scratch and wear resistant  
 4 interchangeable toilet seat buffers  
 Easy fixation from above (Top fix)  
 Persistent color

Identification No.: **1409268101**  
 Packaging: 5 pcs/carton

Colour	ID No.	EAN code
White	1409268101	8711778221291

**Technical drawing**



**MARS S**

**Installation method**

Suitable for wall-hung and floor mounted toilet bowls

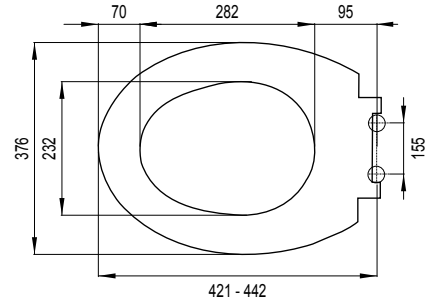
**Properties**

Material: duroplast  
 Weight: 2,18 kg  
 Soft close  
 Detachable with quick-release system  
 Off-set adjustable stainless metal hinges  
 Load-bearing capacity lid 175 kg, 150 kg seat  
 Scratch and wear resistant  
 4 interchangeable toilet seat buffers  
 Easy fixation with special wrench  
 Persistent color

Identification No.: **1409269901**  
 Packaging: 5 pcs/carton

Colour	ID No.	EAN code
White	1409269901	8711778221413

**Technical drawing**



**VIRGO S**

**Installation method**

Suitable for wall-hung and floor mounted toilet bowls

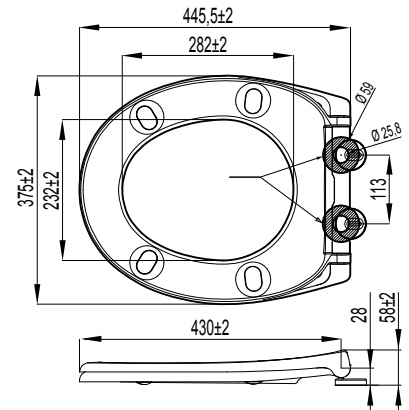
**Properties**

Material: duroplast  
 Weight: 2,0 kg  
 Soft close  
 Detachable with quick-release system  
 Off-set adjustable stainless metal hinges  
 Scratch and wear resistant  
 4 interchangeable toilet seat buffers  
 Easy fixation from below  
 Persistent color

Identification No.: **1409268201**  
 Packaging: 5 pcs/carton

Colour	ID No.	EAN code
White	1409268201	8711778221307

**Technical drawing**





**Identification No.:** 1409267701  
Packaging: 5 pcs/carton

## CARE

### Installation method

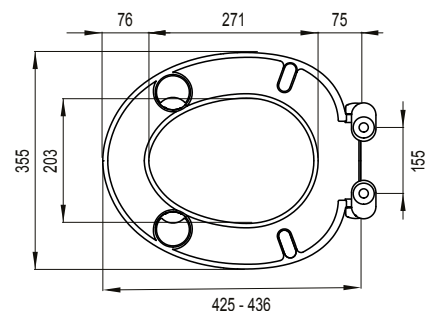
Suitable for back to wall, wall-hung and floor mounted toilet bowls

### Properties

Material: duroplast  
Weight 1,4 kg  
Off-set adjustable stainless metal hinges  
Scratch and wear resistant  
4 interchangeable toilet seat buffers  
Easy fixation from above (Top fix)  
Persistent color

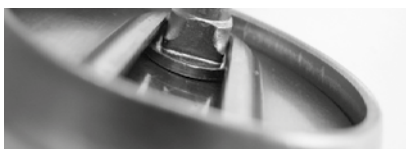
Colour	ID No.	EAN code
White	1409267701	8711778221178

## Technical drawing



8 1711778 221178

## HINGES



ID No.	EAN code	Description	Attachment method	Material
1409260170	8711778228207	Off-set adjustable hinges for D-Star/D-Star S toilet seats	Top fix	Stainless metal
1409260171	8711778228214	Off-set adjustable hinges for Antares/Virgo/Taurus/Aquarius S/Scorpio S toilet seats	Top fix	Stainless metal
1409260172	8711778228221	Off-set adjustable hinges for Zodiac S/Aries S toilet seats	Top fix	Stainless metal
1409260173	8711778228238	Off-set adjustable hinges for Libra QR toilet seat	Top fix	Stainless metal
1409260174	8711778228245	Off-set adjustable hinges for Care toilet seat	Top fix	Stainless metal
1409260175	8711778230408	Off-set adjustable hinges for Star/Star S toilet seats	Top fix	Stainless metal
1409260144	8711778125803	Off-set adjustable hinges for Capella toilet seat		Plastic
1409260145	8711778159013	Off-set adjustable hinges for Star/Star S toilet seats		Stainless metal
1409260146	8711778159020	Hinges for Centaur toilet seat (from 2009)		Stainless metal
1409260147	8711778159037	Off-set adjustable hinges for Leo toilet seat (from 2009)		Stainless metal
1409260151	8711778000216	Off-set adjustable hinges for D-Star toilet seat		Stainless metal
1409260153	8711778166295	Off-set adjustable hinges for Mars S/Libra toilet seats		Stainless metal
1409260155	8711778190634	Off-set adjustable hinges for Antares S toilet seat		Stainless metal

## BUFFERS



ID No.	EAN code	Description
1409260143	8711778125797	Buffers for Capella toilet seat
1409260148	8711778159044	Buffers for Star/Star S toilet seats
1409260149	8711778159051	Buffers for Centaur toilet seat (from 2009)
1409260150	8711778159068	Buffers for Leo toilet seat (from 2009)
1409260152	8711778000223	Buffers for D-Star 300/D-Star 300 S toilet seats
1409260154	8711778166301	Buffers for Mars/Mars S toilet seats
1409260180	8711778228252	Buffers for Zodiac S/Aries S toilet seats
1409260181	8711778228269	Buffers for Taurus S toilet seat
1409260182	8711778228276	Buffers for Care toilet seat
1409260183	8711778228283	Buffers for Libra/Libra QR/Virgo/Aquarius S/Scorpio S toilet seats



# 93 CONNECTING ELEMENTS

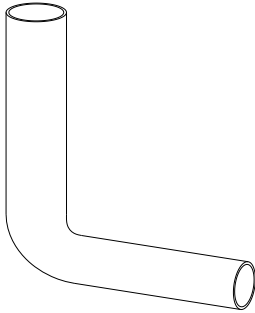
---

94	FLUSHING PIPES
97	WC CONNECTIONS
100	WC DISCHARGE ELBOWS
102	FLEXIFONS

---



8 711778 003101

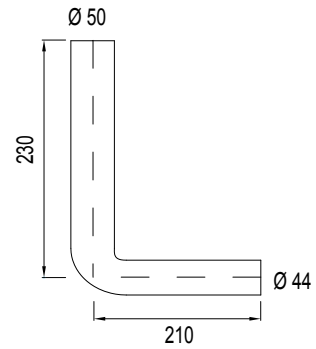
**ELBOW 230 x 210 mm****Properties**

Material: PS

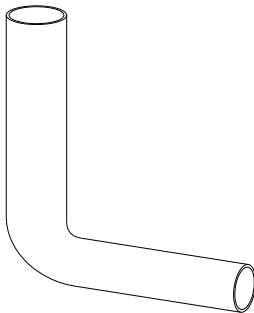
90°

Ø 50 x 44 mm

Colour	ID No.	EAN code
White	8050110101	8711778003101
Beige	8050110103	8711778002999
Manhattan	8050110110	8711778027428
Pergamon	8050110114	8711778028630

**Technical drawing**

3 838912 029720

**ELBOW 270 x 220 mm****Properties**

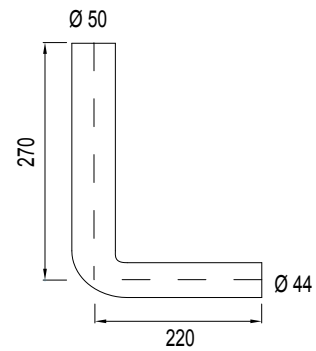
Material: ABS

90°

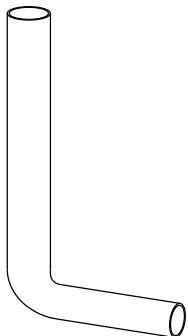
Ø 50 x 44 mm

Colour: white

Colour	ID No.	EAN code
White	607359	3838912029720

**Technical drawing**

8 711778 003569

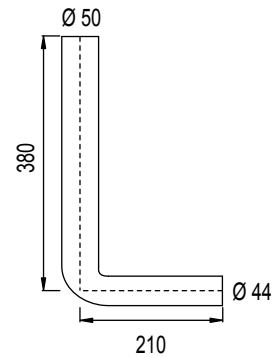
**ELBOW 380 x 210 mm****Properties**

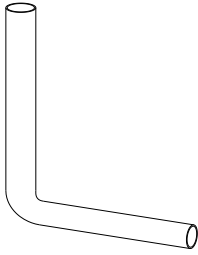
Material: PVC

90°

Ø 50 x 44 mm

Colour	ID No.	EAN code
White	1409111301	8711778003569
Beige	1409111303	8711778003576
Manhattan	1409111310	8711778056572
Pergamon	1409111314	8711778056565

**Technical drawing**



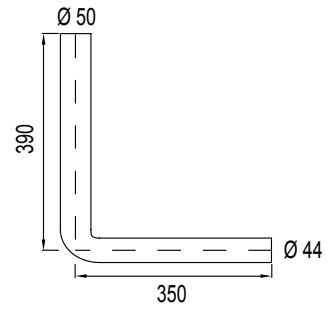
**ELBOW 390 x 350 mm**

**Properties**

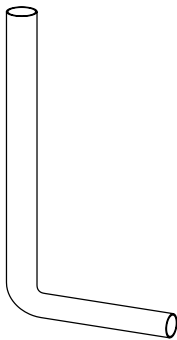
Material: PVC  
90°  
Ø 50 x 44 mm

Colour	ID No.	EAN code
White	1409111601	8711778003590
Beige	1409111603	8711778003606
Manhattan	1409111610	8711778003620
Pergamon	1409111614	8711778034983

**Technical drawing**



8 711778 003590



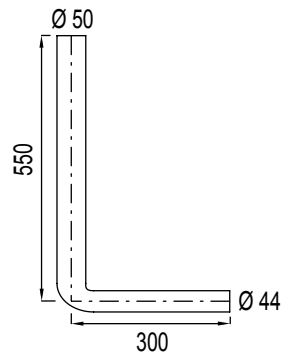
**ELBOW 550 x 300 mm**

**Properties**

Material: PVC  
90°  
Ø 50 x 44 mm  
Colour: white

Colour	ID No.	EAN code
White	1409111701	8711778003873

**Technical drawing**



8 711778 003873



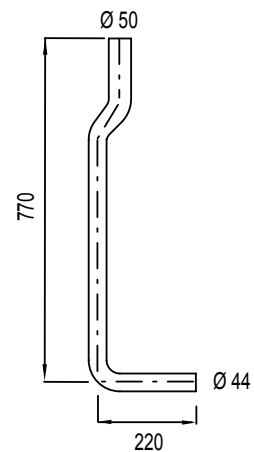
**ELBOW 770 x 220 mm**

**Properties**

Material: PVC  
Ø 50 x 44 mm  
Colour: white

Colour	ID No.	EAN code
White	1409111801	8711778003484

**Technical drawing**



8 711778 003484



**FLOW REDUCER**

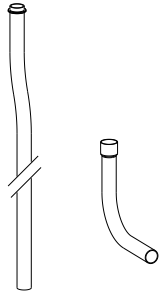
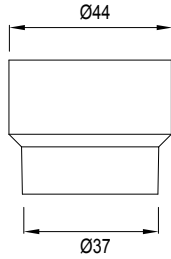
Identification No.: 8035882385

**Properties**  
For regulation of flushing flow  
Colour: white



8 711778 196285

**Technical drawing**



**SET OF FLUSH PIPE AND FLUSH PIPE ELBOW**

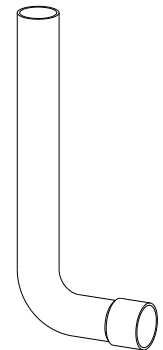
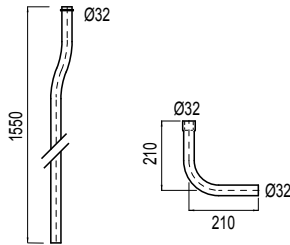
Identification No.: 1409111901

**Properties**  
Material: PVC  
Ø 32 mm  
Colour: white



8 711778 004078

**Technical drawing**



**ELBOW 90°**

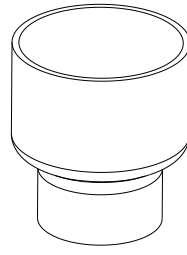
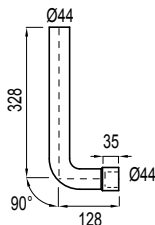
Identification No.: 1409110701

**Properties**  
Material: PVC  
Ø 44 mm  
Colour: white



8 711778 003811

**Technical drawing**



**FLUSH PIPE WRAP-OVER CONNECTOR SEAL No. 103**

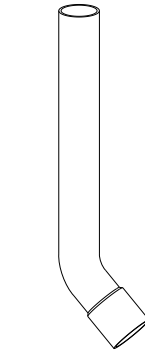
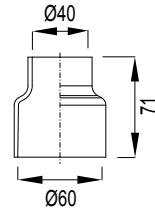
Identification No.: 1409985438

**Properties**  
External connector for toilet with external connector to the flushing pipe  
Colour: white



8 711778 003125

**Technical drawing**



**ELBOW 45°**

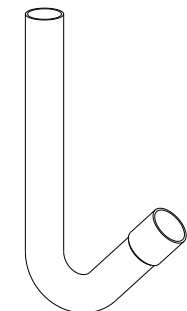
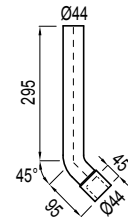
Identification No.: 1409111501

**Properties**  
Material: PVC  
Ø 44 mm  
Colour: white



8 711778 003774

**Technical drawing**



**ELBOW 135°**

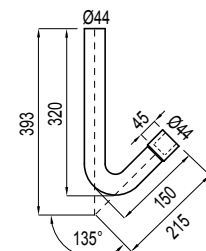
Identification No.: 1409110901

**Properties**  
Material: PVC  
Ø 44 mm  
Colour: white

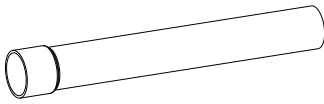


8 711778 003835

**Technical drawing**







**STRAIGHT TUBE 340 mm**

White  
**Identification No.:** 1409111101  
 EAN code: 8711778003903

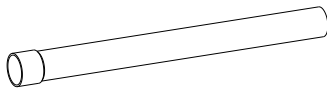
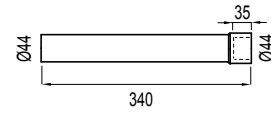
Beige  
**Identification No.:** 1409111103  
 EAN code: 8711778003910

Manhattan  
**Identification No.:** 1409111110  
 EAN code: 8711778003927

Pergamon  
**Identification No.:** 1409111114  
 EAN code: 8711778035973

**Properties**  
 Material: PVC  
 Ø 44 mm

**Technical drawing**



**STRAIGHT TUBE 500 mm**

White  
**Identification No.:** 1409111201  
 EAN code: 8711778003934

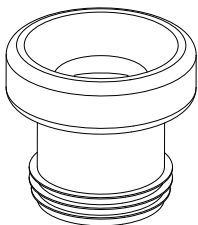
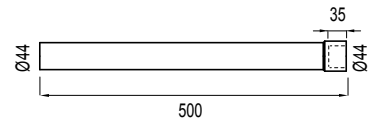
Beige  
**Identification No.:** 1409111203  
 EAN code: 8711778003941

Manhattan  
**Identification No.:** 1409111210  
 EAN code: 8711778056671

Pergamon  
**Identification No.:** 1409111214  
 EAN code: 8711778069350

**Properties**  
 Material: PVC  
 Ø 44 mm

**Technical drawing**



**CONNECTOR MODEL no. 3A W**

**Identification No.:** 8040301003  
 Packaging: 60 pcs/carton

**Properties**  
 Straight  
 For Ø 110 mm tube  
 Length = 117 mm  
 Colour: white



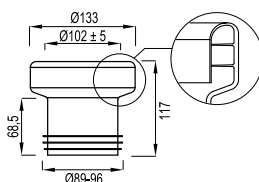
**CONNECTOR MODEL no. 4 W**

**Identification No.:** 8040301004  
 Packaging: 60 pcs/carton

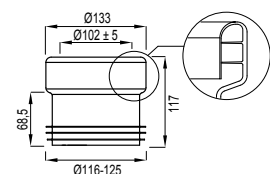
**Properties**  
 Straight  
 Connector for floor mounted toilet bowl  
 For Ø 125 mm tube  
 Length = 117 mm  
 Colour: white

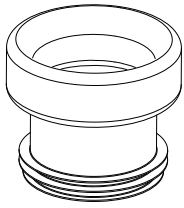


**Technical drawing**



**Technical drawing**

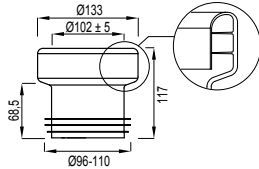


**CONNECTOR MODEL no. 6 W****Identification No.:** 8040301006

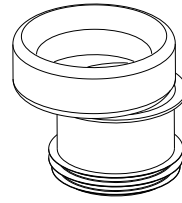
Packaging: 60 pcs/carton

**Properties**

Straight  
 Connector for floor mounted toilet bowl  
 For  $\varnothing$  110 mm tube  
 Length = 117 mm  
 Colour: white

**Technical drawing**

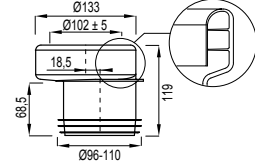
8 711778 012486

**CONNECTOR MODEL no. 7 W****Identification No.:** 8040301007

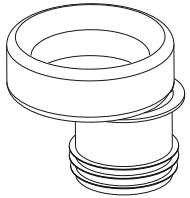
Packaging: 60 pcs/carton

**Properties**

Straight  
 Connector for floor mounted toilet bowl  
 For  $\varnothing$  110 mm tube  
 Length = 119 mm  
 18.5 mm from the center  
 Colour: white

**Technical drawing**

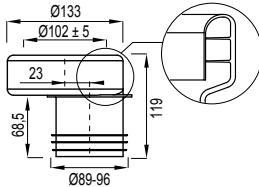
8 711778 012493

**CONNECTOR MODEL no. 8 W****Identification No.:** 8040301008

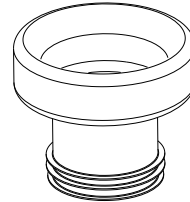
Packaging: 60 pcs/carton

**Properties**

Connector for floor mounted toilet bowl  
 For  $\varnothing$  110 mm tube  
 Length = 119 mm  
 23 mm from the center  
 Colour: white

**Technical drawing**

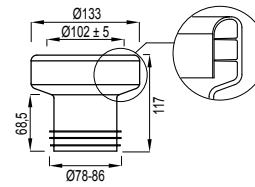
8 711778 012509

**CONNECTOR MODEL no. 3B W****Identification No.:** 8040305003

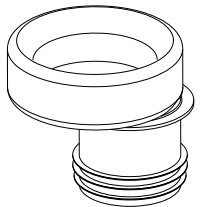
Packaging: 60 pcs/carton

**Properties**

Straight  
 Connector for floor mounted toilet bowl  
 For  $\varnothing$  90 mm tube  
 Length = 117 mm  
 Colour: white

**Technical drawing**

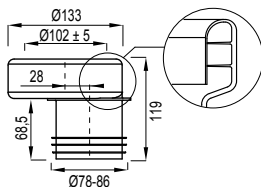
8 711778 025639

**CONNECTOR MODEL no. 8B W****Identification No.:** 8040305008

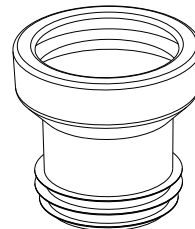
Packaging: 48 pcs/carton

**Properties**

Connector for floor mounted toilet bowl  
 For  $\varnothing$  90 mm tube  
 Length = 119 mm  
 28 mm from the center  
 Colour: white

**Technical drawing**

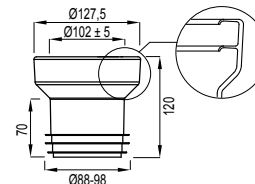
8 711778 025646

**CONNECTOR MODEL no. 2****Identification No.:** 7000120210

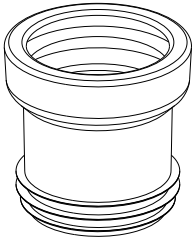
Packaging: 60 pcs/carton

**Properties**

Straight  
 Connector for floor mounted toilet bowl  
 For  $\varnothing$  100 mm tube  
 Length = 120 mm  
 Colour: white

**Technical drawing**

8 711778 047969

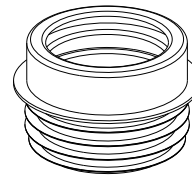
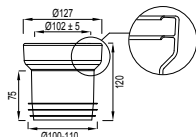


**CONNECTOR MODEL no. 3**

White  
**Identification No.:** 7000119920  
 Packaging: 60 pcs/carton

**Properties**  
 Straight  
 Connector for floor mounted toilet bowl  
 For Ø 110 mm tube  
 Length = 120 mm

**Technical drawing**

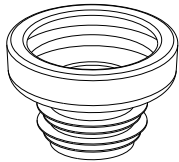
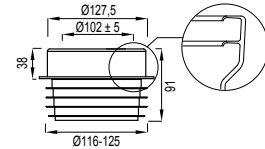


**CONNECTOR MODEL no. 4**

**Identification No.:** 7000120200  
 Packaging: 60 pcs/carton

**Properties**  
 Straight  
 Connector for floor mounted toilet bowl  
 For Ø 125 mm tube  
 Length = 91 mm  
 Colour: white

**Technical drawing**

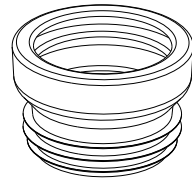
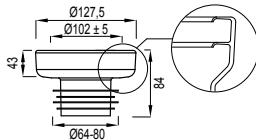


**CONNECTOR MODEL no. 5**

**Identification No.:** 7000121940  
 Packaging: 120 pcs/carton

**Properties**  
 Straight  
 Connector for floor mounted toilet bowl  
 Length = 84 mm  
 Colour: white

**Technical drawing**

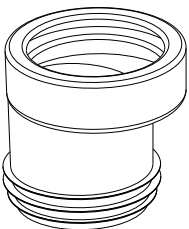
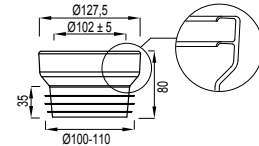


**CONNECTOR MODEL no. 6**

**Identification No.:** 7000121580  
 Packaging: 90 pcs/carton

**Properties**  
 Connector for floor mounted toilet bowl  
 For Ø 110 mm tube  
 Length = 80 mm  
 Extremely low model  
 Colour: white

**Technical drawing**

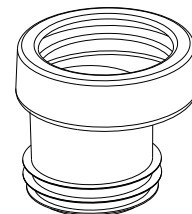
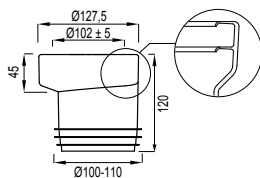


**CONNECTOR MODEL no. 7**

**Identification No.:** 7000119910  
 Packaging: 60 pcs/carton

**Properties**  
 Connector for floor mounted toilet bowl  
 For Ø 110 mm tube  
 Length = 120 mm  
 20 mm from the center  
 Colour: white

**Technical drawing**

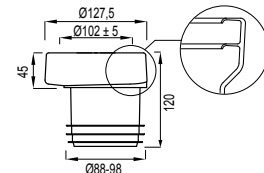


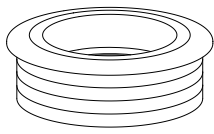
**CONNECTOR MODEL no. 8**

**Identification No.:** 7000121080  
 Packaging: 60 pcs/carton

**Properties**  
 Connector for floor mounted toilet bowl  
 For Ø 100 mm tube  
 Length = 120 mm  
 20 mm from the center  
 Colour: white

**Technical drawing**





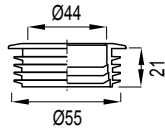
### WC FLUSH PIPE CONNECTOR SEAL (CISTERN)

Identification No.: **8050390093**  
Packaging: 5 pcs/carton

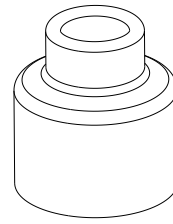
#### Properties

Connector for floor mounted toilet bowl  
Material: rubber  
Colour: white

#### Technical drawing



8 711778 099463



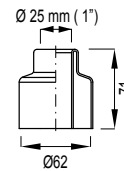
### WC FLUSH PIPE CONNECTOR SEAL 1"

Identification No.: **7240770500**

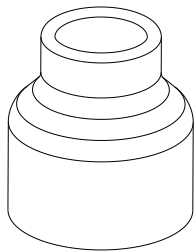
#### Properties

Connector for floor mounted toilet bowl  
Colour: white

#### Technical drawing



8 711778 048577



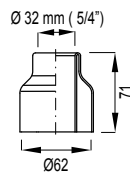
### WC FLUSH PIPE CONNECTOR SEAL 5/4"

Identification No.: **7240770510**

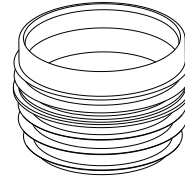
#### Properties

Connector for floor mounted toilet bowl  
Colour: white

#### Technical drawing



8 711778 048584



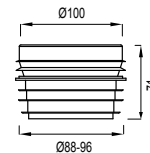
### CONNECTOR 302

Identification No.: **7011120310**

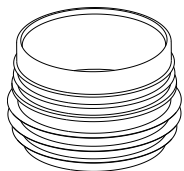
#### Properties

Connector for floor mounted toilet bowl  
For tube Ø 100 mm  
L = 71 mm  
Colour: white

#### Technical drawing



8 711778 048454



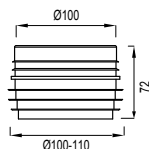
### CONNECTOR 303

Identification No.: **7011120980**  
Packaging: 120 pcs/carton

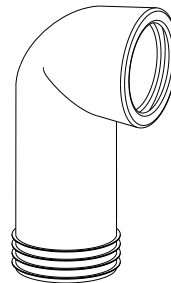
#### Properties

Connector for floor mounted toilet bowl  
For Ø 100 mm/Ø 110 mm tube  
Length = 72 mm  
Colour: white

#### Technical drawing



8 711778 048508



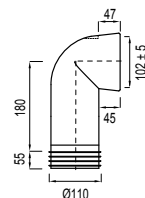
### WC DISCHARGE ELBOWS no. 301A

Identification No.: **7010120220**  
Packaging: 25 pcs/carton

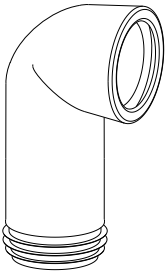
#### Properties

Connector for floor mounted toilet bowl  
Length 180 mm  
110 mm tube diameter  
Colour: white

#### Technical drawing



8 711778 048188



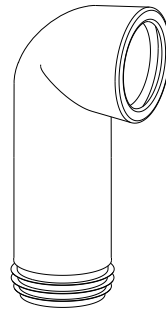
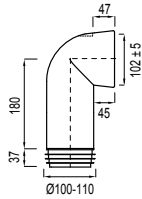
**WC DISCHARGE ELBOW  
no. 303C**

**Identification No.:** 7010121440  
Packaging: 25 pcs/carton

**Properties**

Connector for floor mounted toilet bowl  
Length 180 mm  
110 mm tube diameter  
Colour: white

**Technical drawing**



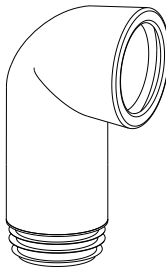
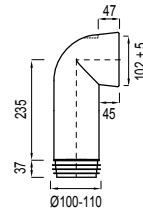
**WC DISCHARGE ELBOW  
no. 303E**

**Identification No.:** 7010121460  
Packaging: 20 pcs/carton

**Properties**

Connector for floor mounted toilet bowl  
Length 235 mm  
110 mm tube diameter  
Colour: white

**Technical drawing**



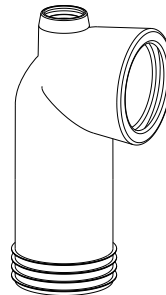
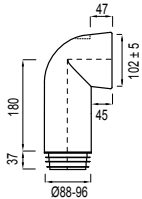
**WC DISCHARGE ELBOW  
no. 302C**

**Identification No.:** 7010121360  
Packaging: 25 pcs/carton

**Properties**

Connector for floor mounted toilet bowl  
Length 180 mm  
98 mm tube diameter  
Colour: white

**Technical drawing**



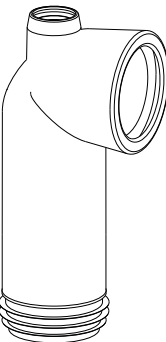
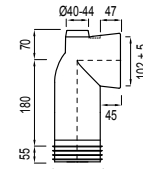
**WC DISCHARGE ELBOW  
no. 301K**

**Identification No.:** 7010120950  
Packaging: 25 pcs/carton

**Properties**

Connector for floor mounted toilet bowl  
Length 180 mm  
110 mm tube diameter  
Elbow with an additional extension 40 mm, for fountains or ventilation traps  
Colour: white

**Technical drawing**



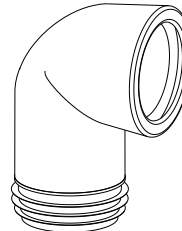
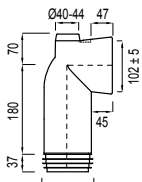
**WC DISCHARGE ELBOW  
no. 303M**

**Identification No.:** 7010121480  
Packaging: 25 pcs/carton

**Properties**

Connector for floor mounted toilet bowl  
Length 120 mm  
110 mm tube diameter  
Elbow with an additional extension 40 mm, for fountains or ventilation traps  
Colour: white

**Technical drawing**



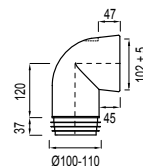
**WC DISCHARGE ELBOW  
no. 303B**

**Identification No.:** 7010121430  
Packaging: 30 pcs/carton

**Properties**

Connector for floor mounted toilet bowl  
Length 120 mm  
Tube width 110 mm  
Colour: white

**Technical drawing**



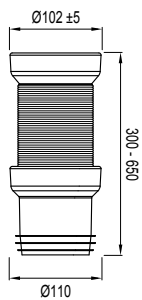


### FLEXIFON TUBE

Flexible drain pipe  $\varnothing$  100 mm  
**Identification No.:** 1409986091  
 Packaging: 24 pcs/carton

Flexible drain pipe  $\varnothing$  110 mm  
**Identification No.:** 1409986087  
 EAN code: 8711778108905  
 Packaging: 24 pcs/carton

#### Technical drawing



#### Properties

Easy installation with flexible tube  
 2 connections  
 Without the use of adhesive  
 Adjustable from 300 to 650 mm  
 Reinforced with internal steel spiral structure  
 For 110 mm or 100 mm tubes  
 Colour: white



8 711778 119840



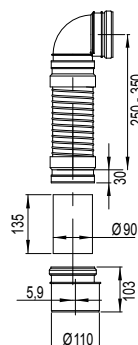
### FLEXIFON BUILT-IN

**Identification No.:** 8050390086  
 Packaging: 15 pcs/carton

#### Properties

Flexible drain elbow  
 Universal for all concealed systems  
 With  $\varnothing$  90/110 mm reduction  
 Colour: black

#### Technical drawing



8 711778 139220

# 103 LINEAR SHOWER DRAINS

Linear shower drains are accessories for modern interior bathrooms, sauna and relaxation areas where the aesthetic and technical requirements dictate the choice of highly functional and adjustable products.

---

107 LINEAR SHOWER DRAINS

---

112 GRIDS

---

113 ACCESSORIES

---





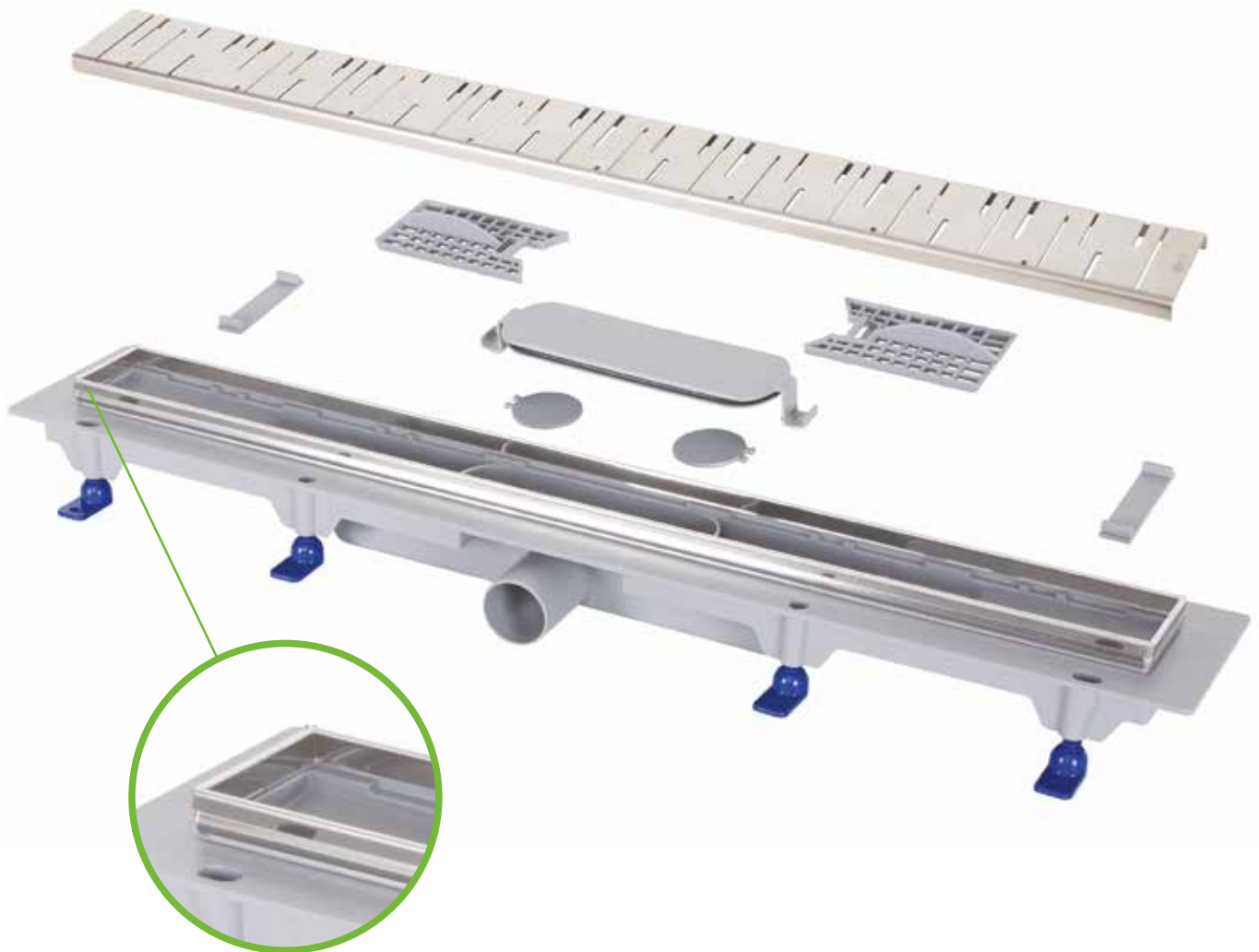
Linear shower drains are accessories for modern interior bathrooms, sauna and relaxation areas where the aesthetic and technical requirements dictate the choice of highly functional and adjustable products. Their main advantages are easy installation, maintenance and use of barrier-free areas.

# **LINEAR SHOWER DRAIN – PERFECTION IN DETAILS**



# ADVANTAGES OF LINEAR SHOWER DRAINS

- Modern design
- Damage resistance
- Low building height: from 65 mm
- Height adjustment:
  - 65 – 87 mm (at grid lengths 350, 450, 650, 750 and 850 mm),
  - 80 – 102 mm (at grid lengths 950 and 1050 mm)



- Flow rate according to EN 1253-2:
  - 35 – 38 l/min (at grid lengths 350, 450, 650, 750 and 850 mm),
  - 46 – 52 l/min (at grid lengths 950 and 1050 mm)
- Combined siphon: water level / anti-odour dry flaps
- Load capacity K3 (300 kg)
- 1.5 mm stainless steel grid in matt according DIN 1.4301
- Dimensional series 350, 450, 650, 750, 850, 950 and 1050 mm
- Easy disassembly for cleaning siphon
- Frame height 15 mm
- 7 different designs of grids (lengths 950 and 1050 mm available in grid STANDARD/CUSTOM)
- Linear shower drain height adjustable from above
- Self-adhesive insulation foil included



## LINEAR SHOWER DRAIN, PLASTIC FRAME



### Installation method

Floor installation

### Properties

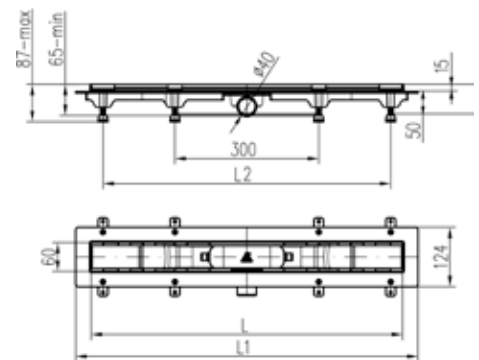
Modern design  
 Damage resistance  
 Height adjustment 65–87 mm  
 FLOW rate 35–38 l / min. according to EN 1253-2  
 Load capacity K3 (300 kg)  
 Dimensional series 350, 450, 650, 750, 850 mm  
 Easy disassembly for cleaning siphon  
 Frame height 15 mm  
 6 different designs of grids

### Special features

Low building height - 65 mm  
 Drain connection Ø 40 mm  
 Combined siphon: water level / dry flap  
 1.5 mm stainless steel grid in matt according to DIN 1.4301

### The product contains

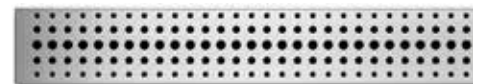
All parts required for installation and mounting are supplied with the product



VIBE



ROUND



GALAXY



ENERGY



STANDARD/CUSTOM



ID No.	Dimension L [mm]	Dimension L1 [mm]	Dimension L2 [mm]	Weight [kg/pcs]	Packaging [pcs/pallet]
--------	------------------	-------------------	-------------------	-----------------	------------------------

### VIBE

674710	350	415	295	1,10	1 / 280
674716	450	515	295	1,30	1 / 280
674722	650	715	595	1,80	1 / 175
674728	750	815	695	1,90	1 / 150
674734	850	915	795	2,10	1 / 150

### ROUND

674711	350	415	295	1,10	1 / 280
674717	450	515	295	1,30	1 / 280
674723	650	715	595	1,80	1 / 175
674729	750	815	695	1,90	1 / 150
674735	850	915	795	2,10	1 / 150

### GALAXY

674712	350	415	295	1,10	1 / 280
674718	450	515	295	1,30	1 / 280
674724	650	715	595	1,80	1 / 175
674730	750	815	695	1,90	1 / 150
674736	850	915	795	2,10	1 / 150

### ENERGY

674713	350	415	295	1,10	1 / 280
674719	450	515	295	1,30	1 / 280
674725	650	715	595	1,80	1 / 175
674731	750	815	695	1,90	1 / 150
674737	850	915	795	2,10	1 / 150

### STANDARD/CUSTOM

674714	350	415	295	1,10	1 / 280
674720	450	515	295	1,30	1 / 280
674726	650	715	595	1,80	1 / 175
674732	750	815	695	1,90	1 / 150
674738	850	915	795	2,10	1 / 150

## LINEAR SHOWER DRAIN, PLASTIC FRAME, black



### STANDARD/CUSTOM



ID No.	Dimension L [mm]	Dimension L1 [mm]	Dimension L2 [mm]	Weight [kg/pcs]	Packaging [pcs/pallet]
--------	---------------------	----------------------	----------------------	--------------------	---------------------------

### STANDARD/CUSTOM

675022	350	415	295	1,10	1 / 280
675023	450	515	295	1,30	1 / 280
675024	650	715	595	1,80	1 / 175
675025	750	815	695	1,90	1 / 150
675026	850	915	795	2,10	1 / 150

### Installation method

Floor installation

### Properties

Modern design

Colour: matt black

Grid: STANDARD/CUSTOM

Damage resistance

Height adjustment 65–87 mm

Flow rate 35–38 l / min. according to EN 1253-2

Load capacity K3 (300 kg)

Dimensional series 350, 450, 650, 750, 850 mm

Easy disassembly for cleaning siphon

Frame height 15 mm

### Special features

Low building height - 65 mm

Drain connection Ø 40 mm

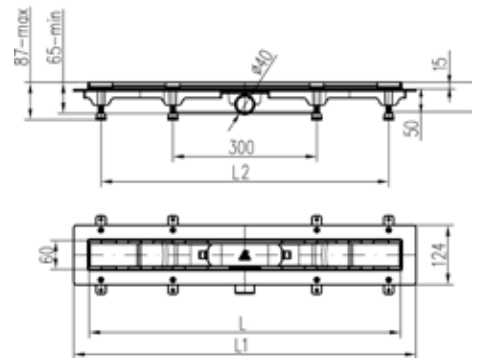
Combined siphon: water level / dry flap

1.5 mm stainless steel grid in matt according

DIN 1.4301

### The product contains

All parts required for installation and mounting are supplied with the product



## LINEAR SHOWER DRAIN, STAINLESS STEEL FRAME



### Installation method

Floor installation

### Properties

Modern design

Damage resistance

Height adjustment 65–87 mm

FLow rate 35–38 l / min. according to EN 1253-2

Load capacity K3 (300 kg)

Dimensional series 350, 450, 650, 750, 850 mm

Easy disassembly for cleaning siphon

Frame height 15 mm

7 different designs of grids

### Special features

Low building height - 65 mm

Drain connection Ø 40 mm

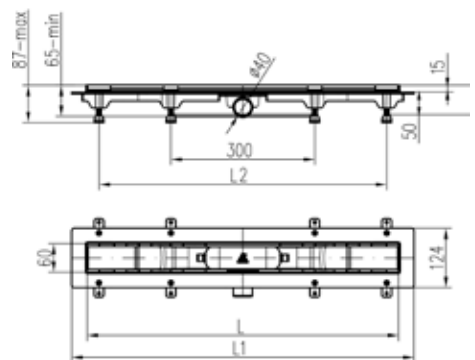
Combined siphon: water level / dry flap

15 mm stainless steel grid in matt according

DIN 1.4301

### The product contains

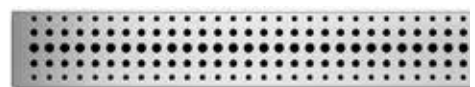
All parts required for installation and mounting are supplied with the product



VIBE



ROUND



GALAXY



ENERGY



FUSION



STANDARD/CUSTOM



ID No.	Dimension L [mm]	Dimension L1 [mm]	Dimension L2 [mm]	Weight [kg/pcs]	Packaging [pcs/pallet]
--------	---------------------	----------------------	----------------------	--------------------	---------------------------

### VIBE

674740	350	415	295	1,10	1 / 280
674746	450	515	295	1,30	1 / 280
674752	650	715	595	1,80	1 / 175
674758	750	815	695	1,90	1 / 150
674764	850	915	795	2,10	1 / 150

### ROUND

674741	350	415	295	1,10	1 / 280
674747	450	515	295	1,30	1 / 280
674753	650	715	595	1,80	1 / 175
674759	750	815	695	1,90	1 / 150
674765	850	915	795	2,10	1 / 150

### GALAXY

674742	350	415	295	1,10	1 / 280
674748	450	515	295	1,30	1 / 280
674754	650	715	595	1,80	1 / 175
674760	750	815	695	1,90	1 / 150
674766	850	915	795	2,10	1 / 150

### ENERGY

674743	350	415	295	1,10	1 / 280
674749	450	515	295	1,30	1 / 280
674755	650	715	595	1,80	1 / 175
674761	750	815	695	1,90	1 / 150
674767	850	915	795	2,10	1 / 150

### FUSION

675205	350	415	295	1,10	1 / 280
675206	450	515	295	1,30	1 / 280
675207	650	715	595	1,80	1 / 175
675208	750	815	695	1,90	1 / 150
675209	850	915	795	2,10	1 / 150

### STANDARD/CUSTOM

674744	350	415	295	1,10	1 / 280
674750	450	515	295	1,30	1 / 280
674756	650	715	595	1,80	1 / 175
674762	750	815	695	1,90	1 / 150
674768	850	915	795	2,10	1 / 150

## LINEAR SHOWER DRAIN TO THE WALL, STAINLESS STEEL FRAME



ID No.	Dimension L [mm]	Dimension L1 [mm]	Dimension L2 [mm]	Weight [kg/pcs]	Packaging [pcs/pallet]
--------	---------------------	----------------------	----------------------	--------------------	---------------------------

### VIBE

674770	350	415	295	1,20	1 / 280
674776	450	515	295	1,40	1 / 280
674782	650	715	595	1,50	1 / 175
674788	750	815	695	2,00	1 / 150
674794	850	915	795	2,30	1 / 150

### ROUND

674771	350	415	295	1,20	1 / 280
674777	450	515	295	1,40	1 / 280
674783	650	715	595	1,50	1 / 175
674789	750	815	695	2,00	1 / 150
674795	850	915	795	2,30	1 / 150

### GALAXY

674772	350	415	295	1,20	1 / 280
674778	450	515	295	1,40	1 / 280
674784	650	715	595	1,50	1 / 175
674790	750	815	695	2,00	1 / 150
674796	850	915	795	2,30	1 / 150

### ENERGY

674773	350	415	295	1,20	1 / 280
674779	450	515	295	1,40	1 / 280
674785	650	715	595	1,50	1 / 175
674791	750	815	695	2,00	1 / 150
674797	850	915	795	2,30	1 / 150

### STANDARD/CUSTOM

674774	350	415	295	1,20	1 / 280
674780	450	515	295	1,40	1 / 280
674786	650	715	595	1,50	1 / 175
674792	750	815	695	2,00	1 / 150
674798	850	915	795	2,30	1 / 150

### Installation method

Floor installation

### Properties

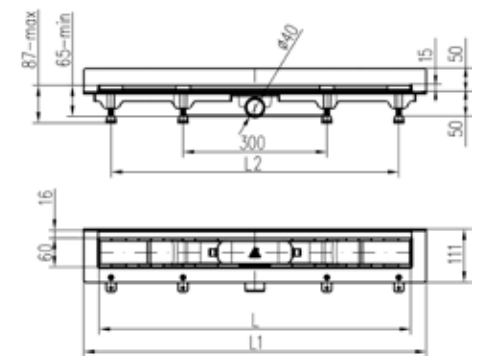
Modern design  
 Damage resistance  
 Height adjustment 65–87 mm  
 Flow rate 35–38 l / min. according to EN 1253-2  
 Load capacity K3 (300 kg)  
 Dimensional series 350, 450, 650, 750, 850 mm  
 Easy disassembly for cleaning siphon  
 Frame height 15 mm  
 6 different designs of grids

### Special features

Low building height - 65 mm  
 Drain connection  $\varnothing$  40 mm  
 Combined siphon: water level / dry flap  
 1.5 mm stainless steel grid in matt according  
 DIN 14301

### The product contains

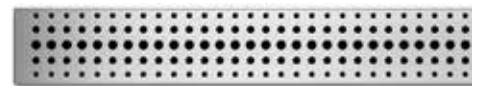
All parts required for installation and mounting  
 are supplied with the product



VIBE



ROUND



GALAXY



ENERGY



STANDARD/CUSTOM





## GRIDS

ID No.	EAN code	Description
<b>VIBE</b>		
675010	3838912063885	Grid VIBE 350
675011	3838912063892	Grid VIBE 450
675012	3838912063908	Grid VIBE 650
675013	3838912063915	Grid VIBE 750
675014	3838912063922	Grid VIBE 850
<b>ROUND</b>		
675000	3838912063786	Grid ROUND 350
675001	3838912063793	Grid ROUND 450
675002	3838912063809	Grid ROUND 650
675003	3838912063816	Grid ROUND 750
675004	3838912063823	Grid ROUND 850
<b>GALAXY</b>		
674995	3838912063731	Grid GALAXY 350
674996	3838912063748	Grid GALAXY 450
674997	3838912063755	Grid GALAXY 650
674998	3838912063762	Grid GALAXY 750
674999	3838912063779	Grid GALAXY 850
<b>ENERGY</b>		
674990	3838912063687	Grid ENERGY 350
674991	3838912063694	Grid ENERGY 450
674992	3838912063700	Grid ENERGY 650
674993	3838912063717	Grid ENERGY 750
674994	3838912063724	Grid ENERGY 850
<b>FUSION</b>		
675155	3838912064868	Grid FUSION 350
675156	3838912064875	Grid FUSION 450
675157	3838912064882	Grid FUSION 650
675158	3838912064899	Grid FUSION 750
675159	3838912064905	Grid FUSION 850
<b>STANDARD/CUSTOM</b>		
675005	3838912063830	Grid STANDARD/CUSTOM 350
675006	3838912063847	Grid STANDARD/CUSTOM 450
675007	3838912063854	Grid STANDARD/CUSTOM 650
675008	3838912063861	Grid STANDARD/CUSTOM 750
675009	3838912063878	Grid STANDARD/CUSTOM 850
<b>STANDARD/CUSTOM, matt black</b>		
675160	3838912064615	Grid STANDARD/CUSTOM 350, matt black
675161	3838912064622	Grid STANDARD/CUSTOM 450, matt black
675162	3838912064639	Grid STANDARD/CUSTOM 650, matt black
675163	3838912064646	Grid STANDARD/CUSTOM 750, matt black
675164	3838912064653	Grid STANDARD/CUSTOM 850, matt black



**REDUCTION Ø 40/50 mm****Ident. No.:** 674918**Installation method**

To connect linear shower drain (Ø 40 mm) and drain pipe (Ø 50 mm)

**INSULATION FOIL, 80 x 1000 mm****Ident. No.:** 675015**Installation method**

For linear shower drain

**Properties**

Waterproof foil 80 x 1000 mm

**SHOWER DRAIN SIPHON COVER****Ident. No.:** 675016**Installation method:**

For easy siphon cleaning

**FLAP****Ident. No.:** 675018**Installation method**

Prevents the spread of unpleasant odors if the trap dries out

**Properties**

Non return flap

**ADJUSTABLE LEG, 47 mm****Ident. No.:** 675019**Installation method**

For linear shower drain installation height 65 – 87 mm

For linear shower drain with drain pipe Ø 40 mm

**Properties:**

Height: 47 mm

**ADJUSTABLE LEG, 62 mm****Ident. No.:** 675020**Installation method**

For linear shower drain installation height 80 – 102 mm

For linear shower drain with drain pipe Ø 50 mm

**Properties:**

Height: 62 mm



**STRAINER, Ø 40 mm**

**Ident. No.:** 675165

**Installation method**

Strainer prevents dirt from entering the shower drain trap  
Suitable for shower drains with Ø 40 mm drain pipe

**Properties:**

Colour: grey



**STRAINER, Ø 50 mm**

**Ident. No.:** 675166

**Installation method**

Strainer prevents dirt from entering the shower drain trap  
Suitable for shower drains with Ø 50 mm drain pipe

**Properties:**

Colour: grey



**STRAINER, Ø 40 mm, black**

**Ident. No.:** 675167

**Installation method**

Strainer prevents dirt from entering the shower drain trap  
Suitable for shower drains with Ø 40 mm drain pipe

**Properties:**

Colour: black



**GRID SUPPORT FOR VIBE, ROUND, GALAXY, ENERGY, FUSION**

**Ident. No.:** 675172

**Installation method**

To stabilize the grid in the shower drain  
For grids VIBE, ROUND, GALAXY, ENERGY, FUSION

**Properties:**

Colour: grey



**GRID SUPPORT FOR STANDARD/CUSTOM**

**Ident. No.:** 675173

**Installation method**

To stabilize the grid in the shower drain  
For grids STANDARD/CUSTOM

**Properties:**

Colour: grey



**GRID SUPPORT FOR STANDARD/CUSTOM, black**

**Ident. No.:** 675174

**Installation method**

To stabilize the grid in the shower drain  
For grids STANDARD/CUSTOM

**Properties:**

Colour: black



# 115 DISCHARGE VALVES VALVES AND TRAPS

Key features of the LIV trap programme are easy accessibility, easy maintenance and solutions intended for different purposes.

---

118	DISCHARGE VALVES
120	SINK TRAPS - SINGLE
123	SINK TRAPS - DUAL
125	SPECIALLY DESIGNED TRAPS FOR SINKS
133	DEDICATED SANITARY TRAPS

---





Simple accessibility, spatial consideration, easy maintenance and solutions for various applications are the main features of the traps program.

The traps are made of quality PP material and are very resistant to high temperatures and cleaning agents. The high flow rate of traps in combination with easy cleaning offers to the user a reliable and safe long-term use.

# **DISCHARGE VALVES AND TRAPS – RELIABILITY AND QUALITY**

Below we introduce a wide range of traps for different purposes. To make choosing the right trap easier, the legend of the most important selection elements will help you.



Sink trap - single



Sink trap - dual



Trap with round overflow



Trap with rectangular overflow



Washing machine trap



Trap with a dishwasher/washing machine connector



Trap with a  $\text{\O} 70$  mm grid for sinks with a  $\text{\O} 52$  mm opening



Trap with a  $\text{\O} 115$  mm diameter for sinks with a  $\text{\O} 90$  mm opening



$\text{\O} 60$  mm grid diameter



$\text{\O} 70$  mm grid diameter



$\text{\O} 80$  mm grid diameter



$\text{\O} 115$  mm grid diameter



Trap without a discharge valve



Washbasin trap



Bidet trap



Urinal trap



Bathtub trap



Shower trap



Air-conditioner trap



Floor drain



Identification No.: 196932  
Weight: 78 g  
Packaging: 30 pcs/NZ-8

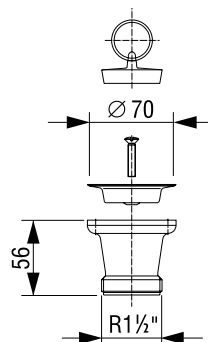
**SINK DISCHARGE VALVE, GRID Ø 70 mm**

**Purpose**  
For sinks

**Properties**  
Installation on a sink  
Discharge valve made of PP material  
Stainless steel grid  
Drain plug

**Technical data**  
Sink opening: Ø 52 mm  
Stainless steel grid: Ø 70 mm  
Connection: 38.10 mm (1 1/2")

Technical drawing



Identification No.: 197042  
Weight: 202 g  
Packaging: 30 pcs/NZ-7

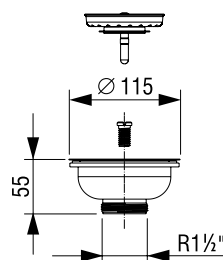
**SINK DISCHARGE VALVE, GRID Ø 115 mm**

**Purpose**  
For sinks

**Properties**  
Installation on a single sink  
Discharge valve made of PP material  
Stainless steel grid

**Technical data**  
Sink opening: Ø 90 mm  
Stainless steel grid: Ø 115 mm  
Connection: 38.10 mm (1 1/2")

Technical drawing



Identification No.: 195660  
Weight: 59 g  
Packaging: 30 pcs/NZ-7

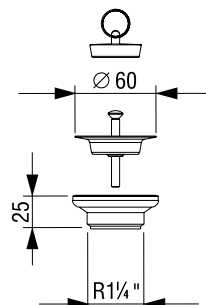
**WASHBASIN DISCHARGE VALVE,  
GRID Ø 60 mm**

**Purpose**  
For washbasins

**Properties**  
Installation on a washbasin  
Discharge valve made of PP material  
Stainless steel grid  
Drain plug

**Technical data**  
Stainless steel grid: Ø 60 mm  
Connection: 38.10 mm (1 1/4")

Technical drawing



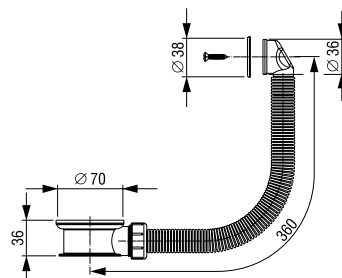
Identification No.: 195360  
Weight: 75 g  
Packaging: 80 pcs/SPV

**SPACER WITH A ROUND OVERFLOW**

**Purpose**  
For washbasins with round overflow

**Properties**  
Installation on a washbasin  
Spacer made of PP material  
Stainless steel grid  
Round overflow

Technical drawing





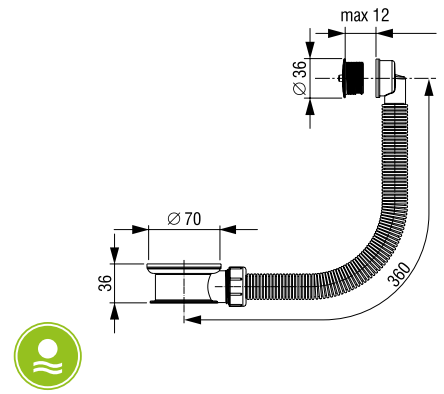
**SPACER WITH ROUND OVERFLOW**

**Purpose**  
For washbasins with round overflow

**Properties**  
Installation on a washbasin  
Spacer made of PP material  
Stainless steel grid  
Round overflow

Identification No.: 195336  
Weight: 72 g  
Packaging: 50 pcs/SPV

Technical drawing



3 1838912 120403



**SINK DISCHARGE VALVE, GRID Ø 70 mm, FLEXIBLE ROUND OVERFLOW**

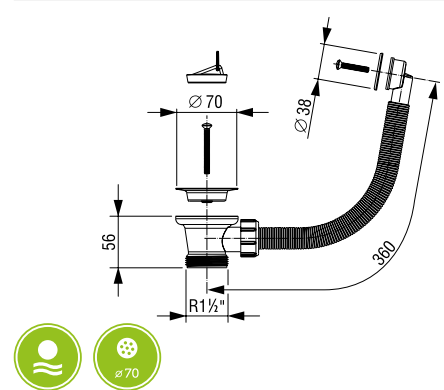
**Purpose**  
For sinks

**Properties**  
Installation on a sink  
Discharge valve made of PP material  
Stainless steel grid  
Drain plug  
Round overflow

**Technical data**  
Sink opening: Ø 52 mm  
Stainless steel grid: Ø 70 mm  
Connection: 38.10 mm (1 1/2")

Identification No.: 195340  
Weight: 129 g  
Packaging: 80 pcs/SPV

Technical drawing



3 1838912 120618



**SINK DISCHARGE VALVE, GRID Ø 70 mm, FLEXIBLE RECTANGULAR OVERFLOW**

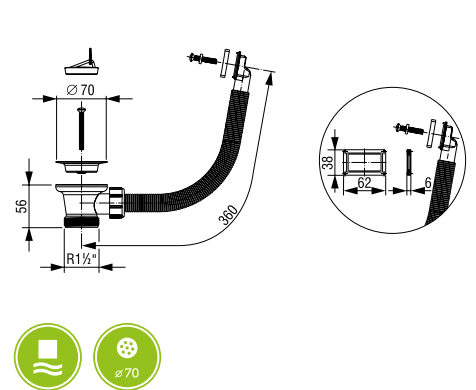
**Purpose**  
For sinks

**Properties**  
Installation on a sink  
Discharge valve made of PP material  
Stainless steel grid  
Drain plug  
Rectangular overflow

**Technical data**  
Sink opening: Ø 52 mm  
Stainless steel grid: Ø 70 mm  
Connection: 38.10 mm (1 1/2")

Identification No.: 195341  
Weight: 140 g  
Packaging: 75 pcs/SPV

Technical drawing



3 1838912 120625



**SINK DISCHARGE VALVE, GRID Ø 115 mm, FLEXIBLE ROUND OVERFLOW**

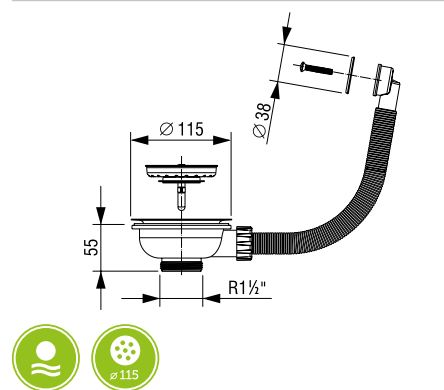
**Purpose**  
For sinks

**Properties**  
Installation on a sink  
Discharge valve made of PP material  
Stainless steel grid  
Round overflow

**Technical data**  
Sink opening: Ø 90 mm  
Stainless steel grid: Ø 115 mm  
Connection: 38.10 mm (1 1/2")

Identification No.: 195342  
Weight: 274 g  
Packaging: 50 pcs/SPV

Technical drawing



3 1838912 120700



**Identification No.:** 195343  
Weight: 285 g  
Packaging: 50 pcs/SPV

**SINK DISCHARGE VALVE, GRID Ø 115 mm,  
FLEXIBLE RECTANGULAR OVERFLOW**

**Purpose**

For sinks

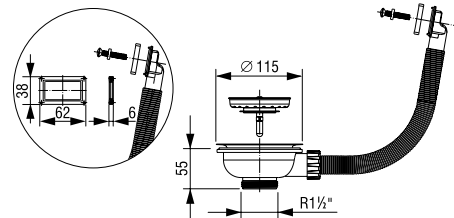
**Properties**

Installation on a sink  
Discharge valve made of PP material  
Stainless steel grid  
Rectangular overflow

**Technical data**

Sink opening: Ø 90 mm  
Stainless steel grid: Ø 115 mm  
Connection: 38.10 mm (1 1/2")

**Technical drawing**



**Identification No.:** 196976  
Weight: 312 g  
Packaging: 30 pcs/SPV

**SINK TRAP - SINGLE, GRID Ø 70 mm**

**Purpose**

For sinks

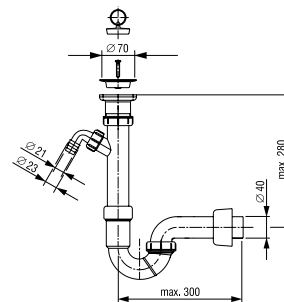
**Properties**

Installation on a single sink  
Trap made of PP material  
Stainless steel grid  
Drain plug  
Dishwasher connection

**Technical data**

Sink opening: Ø 52 mm  
Stainless steel grid: Ø 70 mm  
Drain pipe: Ø 40 mm

**Technical drawing**



**Identification No.:** 196760  
Weight: 394 g  
Packaging: 25 pcs/SPV

**SINK TRAP - SINGLE, GRID Ø 70 mm,  
VERTICAL RECTANGULAR OVERFLOW**

For sinks

**Purpose**

For sinks

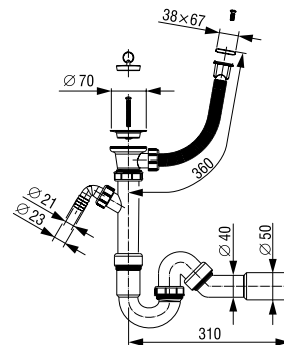
**Properties**

Installation on a single sink  
Trap made of PP material  
Stainless steel grid  
Drain plug  
Dishwasher connection  
Vertical rectangular overflow

**Technical data**

Sink opening: Ø 52 mm  
Stainless steel grid: Ø 70 mm  
Drain pipe: Ø 40/50 mm

**Technical drawing**



**Identification No.:** 195344  
Weight: 364 g  
Packaging: 30 pcs/SPV

**SINK TRAP - SINGLE, GRID Ø 70 mm,  
ROUND OVERFLOW**

**Purpose**

For sinks

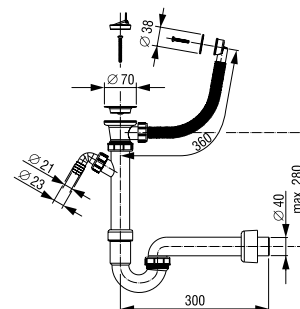
**Properties**

Installation on a single sink  
Trap made of PP material  
Stainless steel grid  
Drain plug  
Dishwasher connection  
Round overflow

**Technical data**

Sink opening: Ø 52 mm  
Stainless steel grid: Ø 70 mm  
Drain pipe: Ø 40 mm

**Technical drawing**







**SINK TRAP - SINGLE, WITHOUT DISCHARGE VALVE**

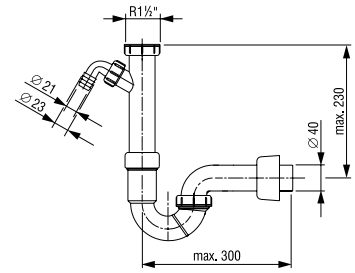
**Purpose**  
For sinks

**Properties**  
Installation on a sink discharge valve  
Trap made of PP material  
Dishwasher connection  
Without a discharge valve

**Technical data**  
Connection: 38.10 mm (1 1/2")  
Drain pipe: Ø 40 mm

**Identification No.:** 197057  
Weight: 236 g  
Packaging: 35 pcs/SPV

**Technical drawing**



3 1838912 1662835



**SINK TRAP - SINGLE, GRID Ø 70 mm, RECTANGULAR OVERFLOW**

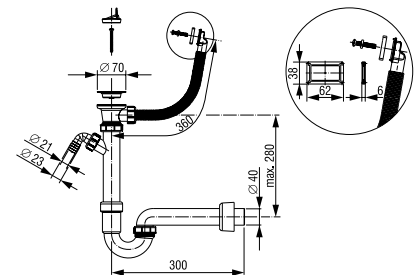
**Purpose**  
For sinks

**Properties**  
Installation on a single sink  
Trap made of PP material  
Stainless steel grid  
Drain plug  
Dishwasher connection  
Rectangular overflow

**Technical data**  
Sink opening: Ø 52 mm  
Stainless steel grid: Ø 70 mm  
Drain pipe: Ø 40 mm

**Identification No.:** 195334  
Weight: 374 g  
Packaging: 30 pcs/SPV

**Technical drawing**



3 1838912 120311



**SINK TRAP - SINGLE, WITHOUT DISCHARGE VALVE**

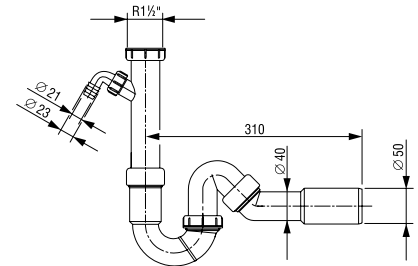
**Purpose**  
For sinks

**Properties**  
Installation on a sink discharge valve  
Trap made of PP material  
Dishwasher connection  
Without a discharge valve

**Technical data**  
Connection: 38.10 mm (1 1/2")  
Drain pipe: Ø 40/50 mm

**Identification No.:** 196547  
Weight: 259 g  
Packaging: 35 pcs/SPV

**Technical drawing**



3 1838912 1487964



**SINK TRAP - SINGLE, WITHOUT DISCHARGE VALVE**

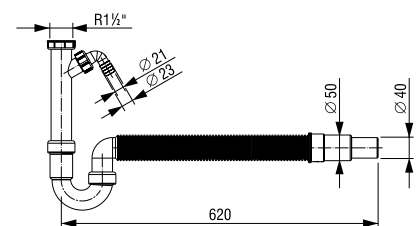
**Purpose**  
For sinks

**Properties**  
Installation on a sink discharge valve  
Trap made of PP material  
Flexible drain pipe  
Dishwasher connection  
Without a discharge valve

**Technical data**  
Connection: 38.10 mm (1 1/2")  
Drain pipe: Ø 40/50 mm

**Identification No.:** 195990  
Weight: 313 g  
Packaging: 20 pcs/SPV

**Technical drawing**



3 1838912 1161505



**Identification No.:** 196026  
 Weight: 376 g  
 Packaging: 25 pcs/SPV

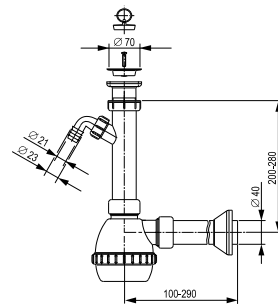
**SINK TRAP - SINGLE, GRID Ø 70 mm**

**Purpose**  
 For sinks

**Properties**  
 Installation on a single sink  
 Trap made of PP material  
 Stainless steel grid  
 Drain plug  
 Dishwasher connection

**Technical data**  
 Sink opening: Ø 52 mm  
 Stainless steel grid: Ø 70 mm  
 Drain pipe: Ø 40 mm

**Technical drawing**



**Identification No.:** 196492  
 Weight: 436 g  
 Packaging: 30 pcs/SPV

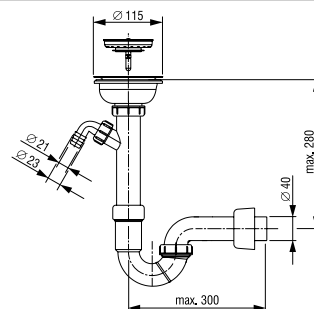
**SINK TRAP - SINGLE, GRID Ø 115 mm**

**Purpose**  
 For sinks

**Properties**  
 Installation on a single sink  
 Trap made of PP material  
 Stainless steel grid  
 Dishwasher connection

**Technical data**  
 Sink opening: Ø 90 mm  
 Stainless steel grid: Ø 115 mm  
 Drain pipe: Ø 40 mm

**Technical drawing**



**Identification No.:** 195570  
 Weight: 591 g  
 Packaging: 25 pcs/SPV

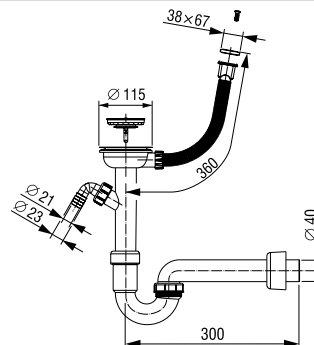
**SINK TRAP - SINGLE, GRID Ø 115 mm, VERTICAL RECTANGULAR OVERFLOW**

**Purpose**  
 For sinks

**Properties**  
 Installation on a single sink  
 Trap made of PP material  
 Stainless steel grid  
 Dishwasher connection  
 Vertical rectangular overflow

**Technical data**  
 Sink opening: Ø 90 mm  
 Stainless steel grid: Ø 115 mm  
 Drain pipe: Ø 40 mm

**Technical drawing**



**Identification No.:** 195372  
 Weight: 510 g  
 Packaging: 25 pcs/SPV

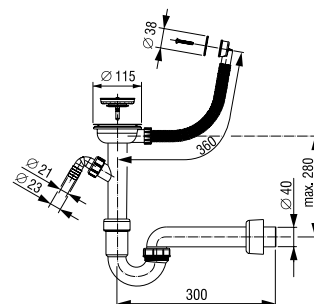
**SINK TRAP - SINGLE, GRID Ø 115 mm, ROUND OVERFLOW**

**Purpose**  
 For sinks

**Properties**  
 Installation on a single sink  
 Trap made of PP material  
 Stainless steel grid  
 Dishwasher connection  
 Round overflow

**Technical data**  
 Sink opening: Ø 90 mm  
 Stainless steel grid: Ø 115 mm  
 Drain pipe: Ø 40 mm

**Technical drawing**





Identification No.: 195558  
Weight: 519 g  
Packaging: 20 pcs/SPV

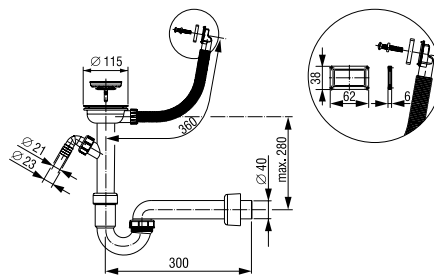
**SINK TRAP - SINGLE, GRID Ø 115 mm, RECTANGULAR OVERFLOW**

**Purpose**  
For sinks

**Properties**  
Installation on a single sink  
Trap made of PP material  
Stainless steel grid  
Dishwasher connection  
Rectangular overflow

**Technical data**  
Sink opening: Ø 90 mm  
Stainless steel grid: Ø 115 mm  
Drain pipe: Ø 40 mm

Technical drawing



3 183891 2141927



Identification No.: 196975  
Weight: 458 g  
Packaging: 20 pcs/SPV

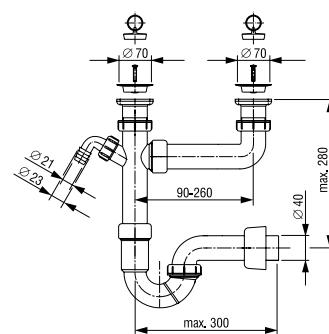
**SINK TRAP - DUAL, GRID Ø 70 mm**

**Purpose**  
For sinks

**Properties**  
Installation on a dual sink  
Trap made of PP material  
Stainless steel grids  
Drain plugs  
Dishwasher connection

**Technical data**  
Sink openings: Ø 52 mm  
Stainless steel grids: Ø 70 mm  
Drain pipe: Ø 40 mm

Technical drawing



3 183891 215959731



Identification No.: 195345  
Weight: 547 g  
Packaging: 20 pcs/SPV

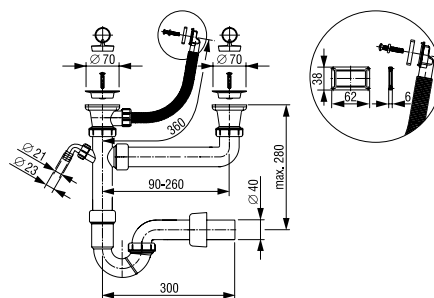
**SINK TRAP - DUAL, GRID Ø 70 mm, RECTANGULAR OVERFLOW**

**Purpose**  
For sinks

**Properties**  
Installation on a dual sink  
Trap made of PP material  
Stainless steel grids  
Drain plugs  
Dishwasher connection  
Rectangular overflow

**Technical data**  
Sink openings: Ø 52 mm  
Stainless steel grids: Ø 70 mm  
Drain pipe: Ø 40 mm

Technical drawing



3 183891 2120809



Identification No.: 196972  
Weight: 546 g  
Packaging: 20 pcs/SPV

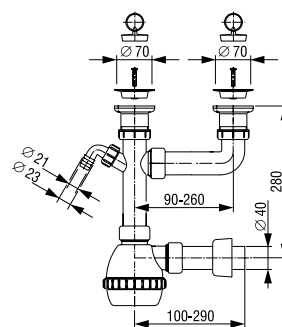
**SINK TRAP - DUAL, GRID Ø 70 mm**

**Purpose**  
For sinks

**Properties**  
Installation on a dual sink  
Trap made of PP material  
Stainless steel grids  
Drain plugs  
Dishwasher connection

**Technical data**  
Sink openings: Ø 52 mm  
Stainless steel grids: Ø 70 mm  
Drain pipe: Ø 40 mm

Technical drawing



3 183891 215959551



3 838912 115515



**SINK TRAP - DUAL, GRID Ø 115 mm**

**Purpose**

For sinks

**Properties**

Installation on a dual sink  
Trap made of PP material  
Stainless steel grids  
Dishwasher connection

**Technical data**

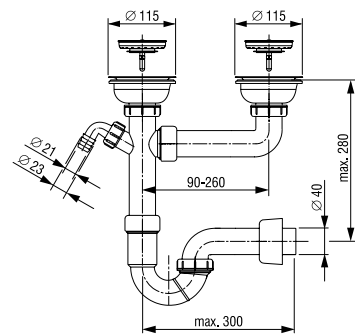
Sink openings: Ø 90 mm  
Stainless steel grids: Ø 115 mm  
Drain pipe: Ø 40 mm

Identification No.: 195284

Weight: 733 g

Packaging: 15 pcs/SPV

**Technical drawing**



3 838912 1120816



**SINK TRAP - DUAL, GRID Ø 70 mm, RECTANGULAR OVERFLOW**

**Purpose**

For sinks

**Properties**

Installation on a dual sink  
Trap made of PP material  
Stainless steel grids  
Drain plugs  
Dishwasher connection  
Dual rectangular overflow

**Technical data**

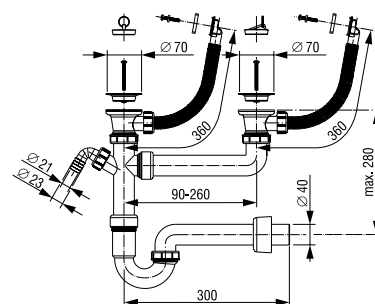
Sink openings: Ø 52 mm  
Stainless steel grids: Ø 70 mm  
Drain pipe: Ø 40 mm

Identification No.: 195346

Weight: 609 g

Packaging: 20 pcs/SPV

**Technical drawing**



3 838912 1142016



**SINK TRAP - DUAL, GRID Ø 115 mm, RECTANGULAR OVERFLOW**

**Purpose**

For sinks

**Properties**

Installation on a dual sink  
Trap made of PP material  
Stainless steel grids  
Dishwasher connection  
Rectangular overflow

**Technical data**

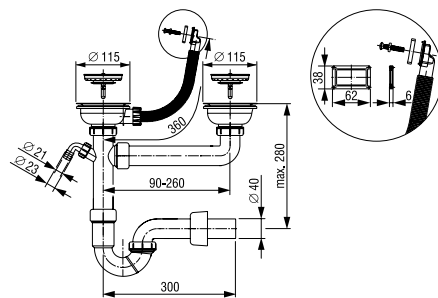
Sink openings: Ø 90 mm  
Stainless steel grids: Ø 115 mm  
Drain pipe: Ø 40 mm

Identification No.: 195559

Weight: 816 g

Packaging: 15 pcs/SPV

**Technical drawing**



3 838912 1487988



**SINK TRAP - SINGLE, WITHOUT DISCHARGE VALVE**

**Purpose**

For sinks

**Properties**

Installation on a single sink  
Trap made of PP material  
Dishwasher connection  
Without a discharge valve

**Technical data**

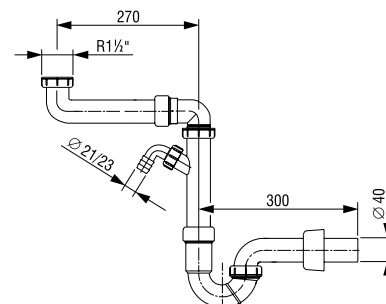
Drain pipe: Ø 40 mm  
Connector: 38,10 mm (1 1/2")

Identification No.: 196549

Weight: 371 g

Packaging: 25 pcs/SPV

**Technical drawing**





**SINK TRAP - DUAL, WITHOUT  
DISCHARGE VALVES**

**Purpose**

For sinks

**Properties**

Installation on a dual sink  
Trap made of PP material  
Dishwasher connection  
Without a discharge valve

**Technical data**

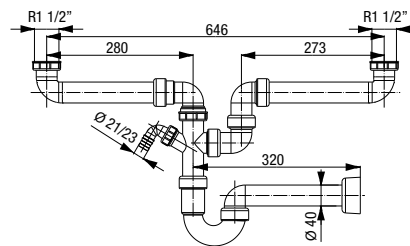
Drain pipe:  $\varnothing$  40 mm  
Connector: 38.10 mm (1 1/2")

Identification No.: 195151

Weight: 440 g

Packaging: 20 pcs/SPV

Technical drawing



3 183891 21006325



**WASHBASIN TRAP, GRID  $\varnothing$  60 mm,  
OUTFLOW  $\varnothing$  32 mm**

**Purpose**

For washbasins

**Properties**

Installation on a washbasin  
Trap made of PP material  
Stainless steel grid  
Drain plug

**Technical data**

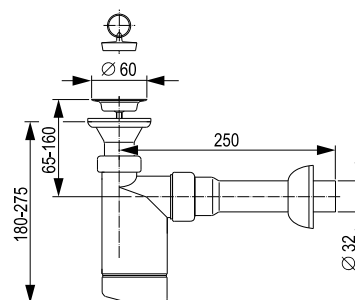
Stainless steel grid:  $\varnothing$  60 mm  
Drain pipe:  $\varnothing$  32 mm

Identification No.: 196613

Weight: 223 g

Packaging: 40 pcs/SPV

Technical drawing



3 183891 21490124



**WASHBASIN TRAP, GRID  $\varnothing$  60 mm,  
OUTFLOW  $\varnothing$  40 mm**

**Purpose**

For washbasins

**Properties**

Installation on a washbasin  
Trap made of PP material  
Stainless steel grid  
Drain plug

**Technical data**

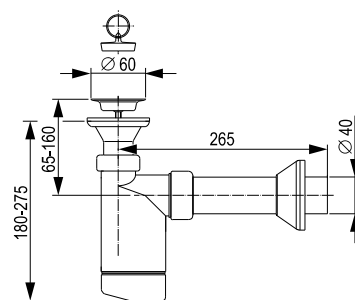
Stainless steel grid:  $\varnothing$  60 mm  
Drain pipe:  $\varnothing$  40 mm

Identification No.: 195273

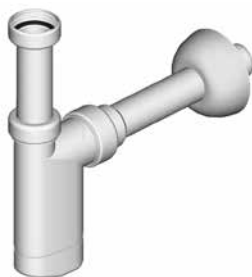
Weight: 240 g

Packaging: 40 pcs/SPV

Technical drawing



3 183891 21115102



**WASHBASIN TRAP, WITHOUT  
DISCHARGE VALVE, OUTFLOW  $\varnothing$  32 mm**

**Purpose**

For washbasins

**Properties**

Installation on a washbasin  
Trap made of PP material  
Without a discharge valve

**Technical data**

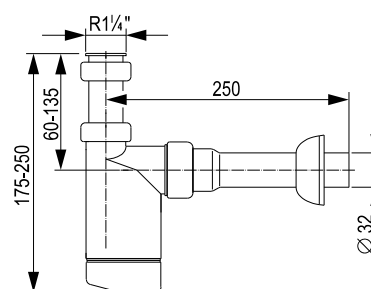
Drain pipe:  $\varnothing$  32 mm

Identification No.: 196614

Weight: 177 g

Packaging: 40 pcs/SPV

Technical drawing



3 183891 21490131



**WASHBASIN TRAP, WITHOUT DISCHARGE VALVE, OUTFLOW  $\varnothing$  40 mm**

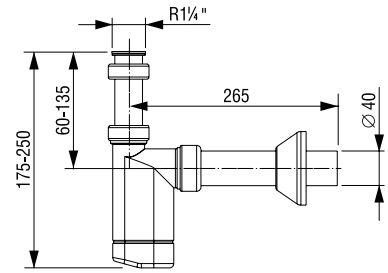
**Purpose**  
For washbasins

**Properties**  
Installation on a washbasin  
Trap made of PP material  
Without a discharge valve

**Technical data**  
Drain pipe:  $\varnothing$  40 mm

**Identification No.:** 195668  
Weight: 194 g  
Packaging: 40 pcs/SPV

**Technical drawing**



**WASHBASIN TRAP, GRID  $\varnothing$  60 mm, OUTFLOW  $\varnothing$  32 mm**

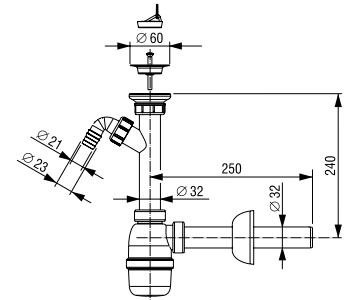
**Purpose**  
For washbasins

**Properties**  
Installation on a washbasin  
Trap made of PP material  
Stainless steel grid  
Drain plug  
Dishwasher connection

**Technical data**  
Stainless steel grid:  $\varnothing$  60 mm  
Drain pipe:  $\varnothing$  32 mm

**Identification No.:** 195607  
Weight: 277 g  
Packaging: 40 pcs/SPV

**Technical drawing**



**WASHBASIN TRAP, GRID  $\varnothing$  60 mm, OUTFLOW  $\varnothing$  32 mm**

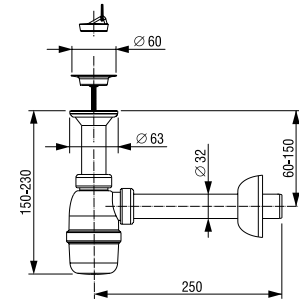
**Purpose**  
For washbasins

**Properties**  
Installation on a washbasin  
Trap made of PP material  
Stainless steel grid  
Drain plug

**Technical data**  
Stainless steel grid:  $\varnothing$  60 mm  
Drain pipe:  $\varnothing$  32 mm

**Identification No.:** 201647  
Weight: 213 g  
Packaging: 40 pcs/SPV

**Technical drawing**



**WASHBASIN TRAP, WITHOUT DISCHARGE VALVE, OUTFLOW  $\varnothing$  32 mm**

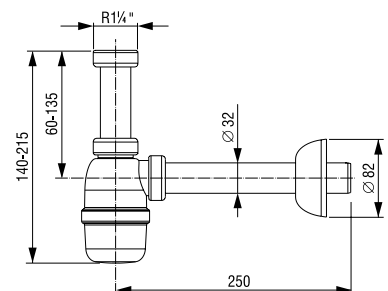
**Purpose**  
For washbasins

**Properties**  
Installation on a washbasin  
Trap made of PP material  
Without a discharge valve

**Technical data**  
Drain pipe:  $\varnothing$  32 mm

**Identification No.:** 195349  
Weight: 167 g  
Packaging: 40 pcs/SPV

**Technical drawing**





**WASHBASIN TRAP, WITHOUT DISCHARGE VALVE, OUTFLOW Ø 32 mm**

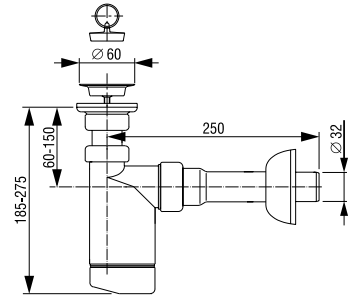
**Purpose**  
For washbasins

**Properties**  
Installation on a washbasin  
Trap made of PP material  
Stainless steel grid  
Drain plug

**Technical data**  
Stainless steel grid: Ø 60 mm  
Drain pipe: Ø 32 mm

Identification No.: 196617  
Weight: 235 g  
Packaging: 40 pcs/SPV

Technical drawing



3 1838912 1490384



**AIR CONDITIONER TRAP, EXPOSED**

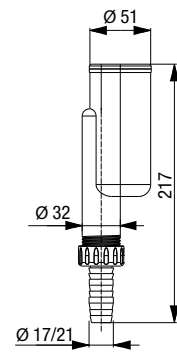
**Purpose**  
For air conditioner units, convectors ...

**Properties**  
Closing the drain with a floating ball

**Technical data**  
Drain: Ø 17/21 mm and Ø 32 mm

Identification No.: 201585  
Weight: 106 g  
Packaging: 20 pcs/NZ-1

Technical drawing



3 1838912 1007506



**AIR CONDITIONER TRAP, CONCEALED**

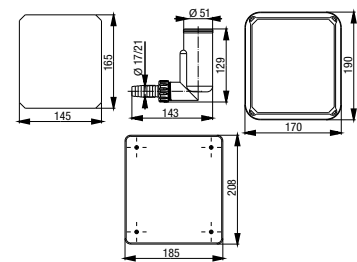
**Purpose**  
For air conditioner units, convectors ...

**Properties**  
Wall mounting  
Closing the drain with a floating ball

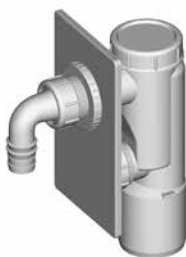
**Technical data**  
Drain: Ø 17/21 mm and Ø 32 mm

Identification No.: 201586  
Weight: 380 g  
Packaging: 10 pcs/NZ-1

Technical drawing



3 1838912 1007513



**WASHING MACHINE TRAP, CONCEALED, OUTFLOW Ø 50 mm**

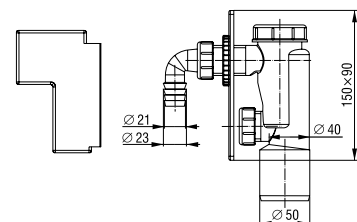
**Purpose**  
For washing machines  
Wall mounting

**Properties**  
Trap made of PP material  
Stainless steel decorative panel

**Technical data**  
Drain pipe: Ø 50 mm

Identification No.: 195546  
Weight: 177 g  
Packaging: 50 pcs/SPV

Technical drawing



3 1838912 1408211



**URINAL TRAP, VERTICAL CONNECTION, OUTFLOW Ø 40 mm**

**Purpose**

For urinals

**Properties**

Installation on an urinal  
Vertical connection of the urinal  
Trap made of PP material  
Seal included

**Technical data**

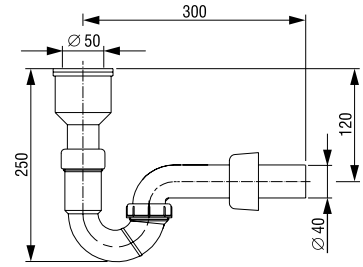
Drain pipe: Ø 40 mm

Identification No.: 196030

Weight: 249 g

Packaging: 35 pcs/SPV

**Technical drawing**



**URINAL TRAP, HORIZONTAL CONNECTION, OUTFLOW Ø 50 mm**

**Purpose**

For urinals

**Properties**

Installation on an urinal  
Horizontal connection of the urinal  
Trap made of PP material  
Seal included

**Technical data**

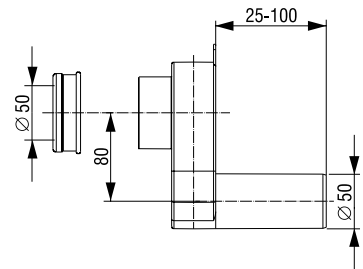
Drain pipe: Ø 50 mm

Identification No.: 195477

Weight: 166 g

Packaging: 40 pcs/SPV

**Technical drawing**



**BIDET TRAP, WITHOUT DISCHARGE VALVE, OUTFLOW Ø 40 mm**

**Purpose**

For bidets

**Properties**

Installation on a bidet  
Trap made of PP material  
Without a discharge valve

**Technical data**

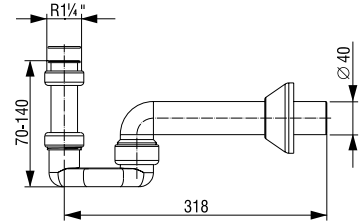
Drain pipe: Ø 40 mm

Identification No.: 195414

Weight: 173 g

Packaging: 35 pcs/SPV

**Technical drawing**



**BIDET TRAP, GRID Ø 60 mm, OUTFLOW Ø 40 mm**

**Purpose**

For bidets

**Properties**

Installation on a bidet  
Trap made of PP material  
Stainless steel grid  
Drain plug

**Technical data**

Stainless steel grid: Ø 60 mm

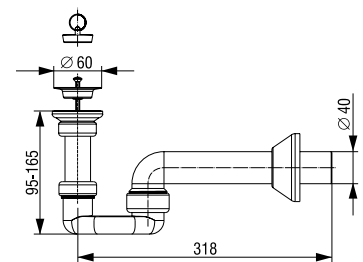
Drain pipe: Ø 40 mm

Identification No.: 195537

Weight: 230 g

Packaging: 35 pcs/SPV

**Technical drawing**







**BIDET TRAP, GRID Ø 60 mm, OUTFLOW Ø 40 mm**

**Purpose**  
For bidets

**Properties**  
Installation on a bidet  
Trap made of PP material  
Stainless steel grid  
Drain plug

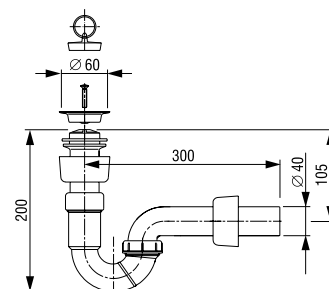
**Technical data**  
Stainless steel grid: Ø 60 mm  
Drain pipe: Ø 40 mm

Identification No.: 196029

Weight: 239 g

Packaging: 40 pcs/SPV

Technical drawing



3 1838912 1235831



**SHOWER DISCHARGE VALVE, GRID Ø 70 mm, VERTICAL OUTFLOW**

**Purpose**  
For shower bases

**Properties**  
Installation on a shower base  
Trap made of PP material  
Stainless steel grid  
Drain plug  
Vertical outlet

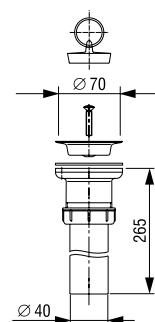
**Technical data**  
Shower base opening: Ø 50 mm  
Stainless steel grid: Ø 70 mm  
Drain pipe: Ø 40 mm

Identification No.: 196950

Weight: 147 g

Packaging: 60 pcs/SPV

Technical drawing



3 1838912 1582065



**SHOWER TRAP, COVER LID Ø 115 mm**

**Purpose**  
For shower bases

**Properties**  
Installation on a shower base  
Trap made of PP material  
Chrome plated decorative cover lid  
Easy trap cleaning

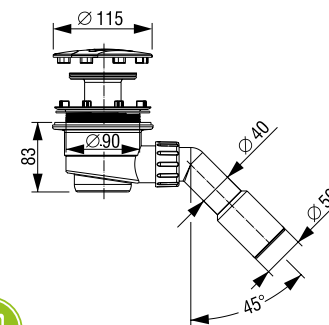
**Technical data**  
Shower base opening: Ø 90 mm  
Decorative cover lid: Ø 115 mm  
Drain pipe: Ø 40/50 mm

Identification No.: 195682

Weight: 410 g

Packaging: 30 pcs/SPV

Technical drawing



3 1838912 148513



**SHOWER TRAP, COVER LID Ø 120 mm**

**Purpose**  
For shower bases

**Properties**  
Installation on a shower base  
Trap made of ABS material  
Stainless steel decorative cover lid  
Easy trap cleaning

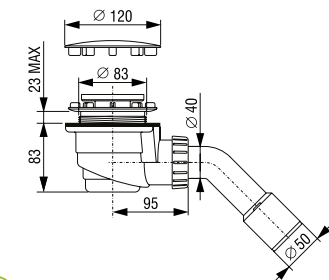
**Technical data**  
Shower base opening: Ø 90 mm  
Decorative cover lid: Ø 120 mm  
Drain pipe Ø 40/50 mm  
Water flow: 34 l/min

Identification No.: 605926

Weight: 380 g

Packaging: 30 pcs/box  
(595 x 395 x 425 mm)

Technical drawing



3 1838912 1028327



**SHOWER TRAP, COVER LID Ø 82 mm**

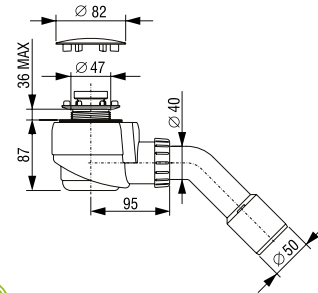
**Purpose**  
For shower bases

**Properties**  
Installation on a shower base  
Trap made of ABS material  
Stainless steel decorative cover lid  
Easy trap cleaning

**Technical data**  
Shower base opening: Ø 50 mm  
Decorative cover lid: Ø 82 mm  
Drain pipe: Ø 40/50 mm  
Water flow: 34 l/min

**Identification No.:** 605923  
Weight: 290 g  
Packaging: 50 pcs/box  
(595 x 395 x 425 mm)

**Technical drawing**



**SHOWER TRAP, GRID Ø 80 mm, OUTFLOW Ø 40/50 mm**

For shower bases

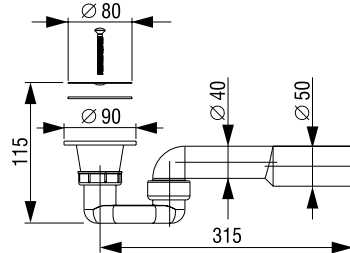
**Purpose**  
For shower bases

**Properties**  
Installation on a shower base  
Trap made of PP material  
Stainless steel grid

**Technical data**  
Shower base opening: Ø 60 mm  
Stainless steel grid: Ø 80 mm  
Drain pipe: Ø 40/50 mm

**Identification No.:** 196840  
Weight: 207 g  
Packaging: 40 pcs/SPV

**Technical drawing**



**SHOWER TRAP, GRID Ø 75 mm, OUTFLOW Ø 40/50 mm**

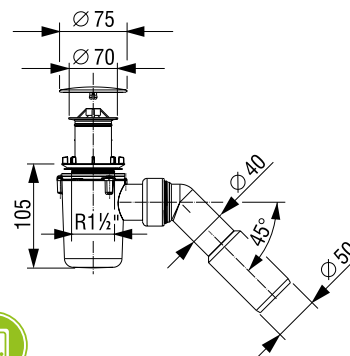
**Purpose**  
For shower bases

**Properties**  
Installation on a shower base  
Trap made of PP material  
Chrome plated decorative cover lid  
Easy trap cleaning

**Technical data**  
Shower base opening: Ø 50 mm  
Decorative cover lid: Ø 75 mm  
Drain pipe: Ø 40/50 mm

**Identification No.:** 195363  
Weight: 203 g  
Packaging: 40 pcs/SPV

**Technical drawing**



**SHOWER DISCHARGE VALVE, GRID Ø 70 mm, OUTFLOW Ø 40 mm**

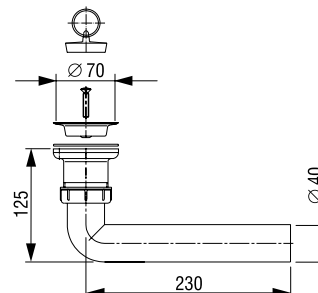
**Purpose**  
For shower bases

**Properties**  
Installation on a shower base  
Trap made of PP material  
Stainless steel grid  
Drain plug

**Technical data**  
Shower base opening: Ø 50 mm  
Stainless steel grid: Ø 70 mm  
Drain pipe: Ø 40 mm

**Identification No.:** 196031  
Weight: 168 g  
Packaging: 60 pcs/SPV

**Technical drawing**





**SHOWER DISCHARGE VALVE,  
GRID Ø 70 mm, OUTFLOW Ø 40/50 mm**

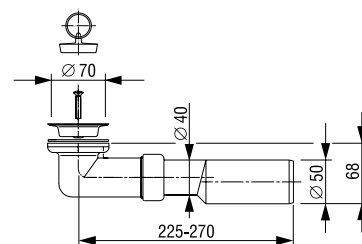
**Purpose**  
For shower bases

**Properties**  
Installation on a shower base  
Trap made of PP material  
Stainless steel grid  
Drain plug  
Low installation height

**Technical data**  
Shower base opening: Ø 50 mm  
Stainless steel grid: Ø 70 mm  
Drain pipe: Ø 40/50 mm

**Identification No.:** 196687  
Weight: 160 g  
Packaging: 60 pcs/SPV

Technical drawing



3 183891 21493835



**SHOWER TRAP, GRID Ø 70 mm,  
OUTFLOW Ø 40/50 mm**

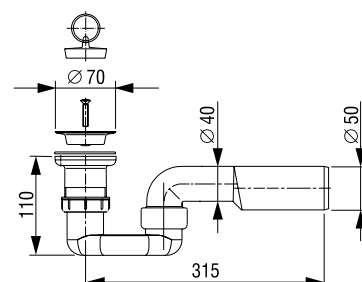
**Purpose**  
For shower bases

**Properties**  
Installation on a shower base  
Trap made of PP material  
Stainless steel grid  
Drain plug  
Low installation height

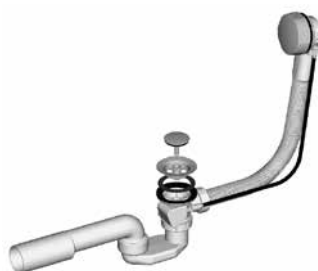
**Technical data**  
Shower base opening: Ø 50 mm  
Stainless steel grid: Ø 70 mm  
Drain pipe: Ø 40/50 mm

**Identification No.:** 196028  
Weight: 231 g  
Packaging: 40 pcs/SPV

Technical drawing



3 183891 21235824



**BATHTUB TRAP, AUTOMATIC,  
H=450 mm, GRID Ø 70 mm**

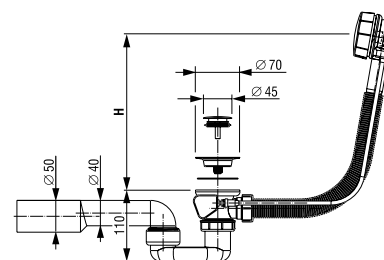
**Purpose**  
For bathtubs

**Properties**  
Installation on a bathtub  
Opening and closing with a button  
Trap made of PP material  
Stainless steel grid  
Metal button, chrome plated  
Metal drain plug, chrome plate

**Technical data**  
Bath tub opening: Ø 50 mm  
Stainless steel grid: Ø 70 mm  
Drain plug: Ø 45 mm  
Pull cable connection, H = 450 mm  
Drain pipe: Ø 40/50 mm

**Identification No.:** 196663  
Weight: 563 g  
Packaging: 20 pcs/SPV

Technical drawing



3 183891 21492135



**BATHTUB TRAP, AUTOMATIC,  
H=650 mm, GRID Ø 70 mm**

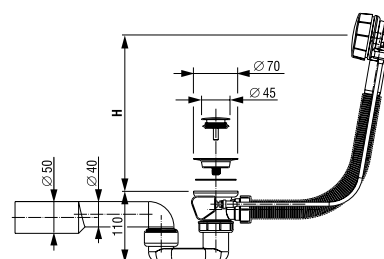
**Purpose**  
For bathtubs

**Properties**  
Installation on a bathtub  
Opening and closing with a button  
Trap made of PP material  
Stainless steel grid  
Metal button, chrome plated  
Metal drain plug, chrome plate

**Technical data**  
Bath tub opening: Ø 50 mm  
Stainless steel grid: Ø 70 mm  
Drain plug: Ø 45 mm  
Pull cable connection, H = 650 mm  
Drain pipe: Ø 40/50 mm

**Identification No.:** 196915  
Weight: 592 g  
Packaging: 20 pcs/SPV

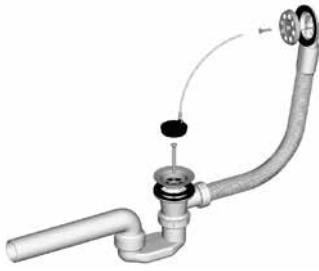
Technical drawing



3 183891 21502254



3 1838912 1483195


**BATHTUB TRAP, H=650 mm,  
GRID Ø 70 mm, OUTFLOW Ø 40 mm**
**Purpose**

For bathtubs

**Properties**

Installation on a bathtub  
Trap made of PP material  
Stainless steel grid  
Drain plug  
With overflow

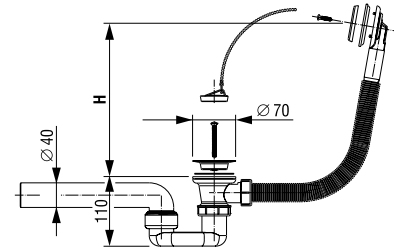
**Technical data**

Bath tub opening: Ø 50 mm  
Stainless steel grid: Ø 70 mm  
H = 650 mm  
Drain pipe: Ø 40 mm

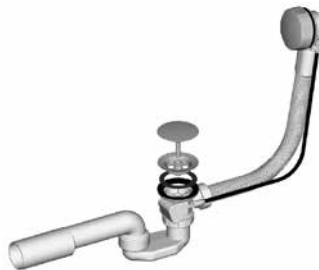
**Identification No.:** 196504

Weight: 366 g

Packaging: 25 pcs/SPV

**Technical drawing**


3 1838912 1502261


**BATHTUB TRAP, AUTOMATIC,  
H=650 mm, GRID Ø 70 mm**
**Purpose**

For bathtubs

**Properties**

Installation on a bathtub  
Opening and closing with a button  
Trap made of PP material  
Stainless steel grid  
Metal button, chrome plated  
Metal drain plug, chrome plate

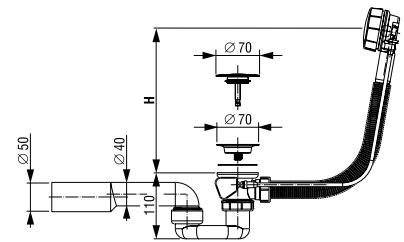
**Technical data**

Bath tub opening: Ø 50 mm  
Stainless steel grid: Ø 70 mm  
Drain plug: Ø 70 mm  
Pull cable connection, H = 650 mm  
Drain pipe: Ø 40/50 mm

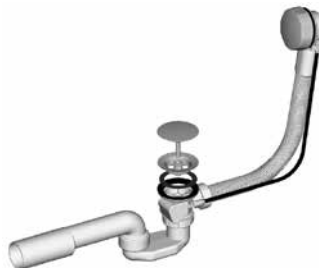
**Identification No.:** 196916

Weight: 580 g

Packaging: 20 pcs/SPV

**Technical drawing**


3 1838912 1492142


**BATHTUB TRAP, AUTOMATIC,  
H=450 mm, GRID Ø 70 mm**
**Purpose**

For bathtubs

**Properties**

Installation on a bathtub  
Opening and closing with a button  
Trap made of PP material  
Stainless steel grid  
Metal button, chrome plated  
Metal drain plug, chrome plate

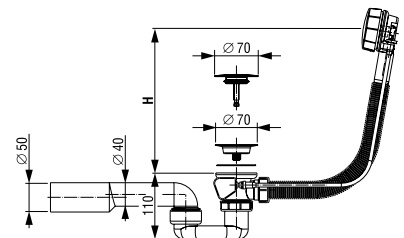
**Technical data**

Bath tub opening: Ø 50 mm  
Stainless steel grid: Ø 70 mm  
Drain plug: Ø 70 mm  
Pull cable connection, H = 450 mm  
Drain pipe: Ø 40/50 mm

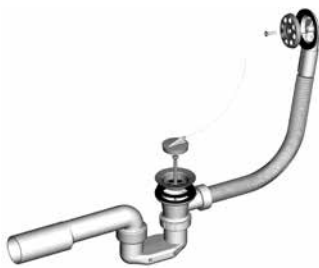
**Identification No.:** 196664

Weight: 548 g

Packaging: 20 pcs/SPV

**Technical drawing**


3 1838912 1495549


**BATHTUB TRAP, H=450 mm,  
GRID Ø 70 mm, OUTFLOW Ø 40/50 mm**
**Purpose**

For bathtubs

**Properties**

Installation on a bathtub  
Trap made of PP material  
Stainless steel grid  
Drain plug  
With overflow

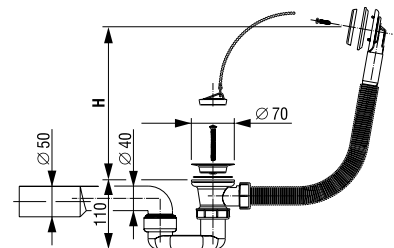
**Technical data**

Bath tub opening: Ø 50 mm  
Stainless steel grid: Ø 70 mm  
H = 450 mm  
Drain pipe: Ø 40/50 mm

**Identification No.:** 196753

Weight: 352 g

Packaging: 25 pcs/SPV

**Technical drawing**




**BATHTUB DISCHARGE VALVE, H=450 mm, GRID Ø 70 mm, OUTFLOW Ø 40 mm**

**Purpose**

For bathtubs

**Properties**

Installation on a bathtub  
Trap made of PP material  
Stainless steel grid  
Drain plug  
With overflow

**Technical data**

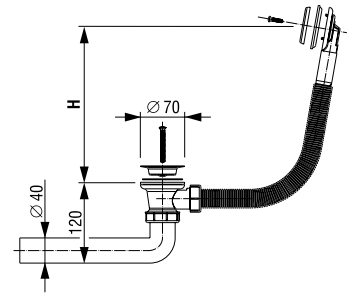
Bath tub opening: Ø 50 mm  
Stainless steel grid: Ø 70 mm  
H = 450 mm  
Drain pipe: Ø 40 mm

Identification No.: 196962

Weight: 289 g

Packaging: 30 pcs/SPV

Technical drawing



3 1838912 192026



**FLOOR DRAIN, HORIZONTAL, GRID 105 x 105 mm, DRY BARRIER**

**Purpose**

Floor installation

**Properties**

Floor drain trap with dry barrier  
Height adjustable trap  
Robust stainless steel grid  
Housing made of ABS material  
Horizontal drain

**Technical data**

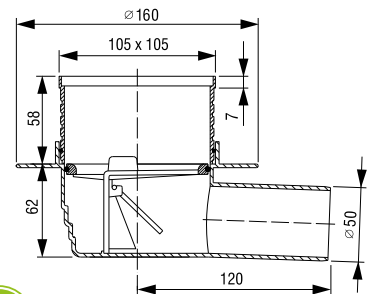
Trap height: 86–120 mm  
Grid: 105 x 105 mm  
Drain pipe: Ø 50 mm  
Water flow: 50.5 l/min

Identification No.: 262770

Weight: 338 g

Packaging: 20 pcs/box,  
(595 x 395 x 425 mm)

Technical drawing



3 1838912 018403



**FLOOR DRAIN, HORIZONTAL, GRID 105 x 105 mm, WATER BARRIER**

**Purpose**

Floor installation

**Properties**

Floor drain trap with water barrier  
Height adjustable trap  
Robust stainless steel grid  
Housing made of ABS material  
Horizontal drain

**Technical data**

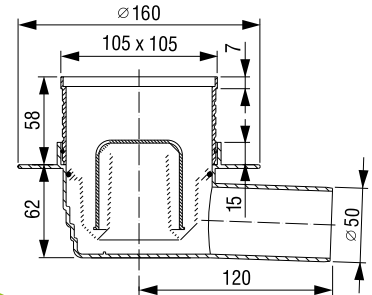
Trap height: 86–120 mm  
Grid: 105 x 105 mm  
Drain pipe: Ø 50 mm  
Water flow: 50.5 l/min

Identification No.: 262771

Weight: 338 g

Packaging: 20 pcs/box  
(595 x 395 x 425 mm)

Technical drawing



3 1838912 018410



**FLOOR DRAIN, VERTICAL, GRID 105 x 105 mm, WATER BARRIER**

**Purpose**

Floor installation

**Properties**

Floor drain trap with water barrier  
Height adjustable trap  
Robust stainless steel grid  
Housing made of ABS material  
Vertical drain

**Technical data**

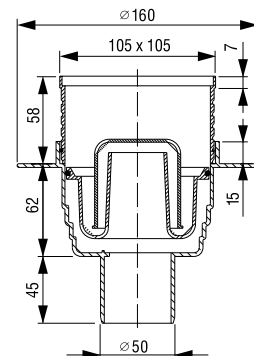
Grid: 105 x 105 mm  
Drain pipe: Ø 50 mm  
Water flow: 50.5 l/min

Identification No.: 262776

Weight: 348 g

Packaging: 20 pcs/box  
(595 x 395 x 425 mm)

Technical drawing



3 1838912 018427



3 838912 020215



### FLOOR DRAIN, HORIZONTAL, THROUGHFLOW, GRID 105 x 105 mm

#### Purpose

Floor installation

#### Properties

Throughflow floor drain trap with water barrier  
Height adjustable trap  
Robust stainless steel grid  
Housing made of ABS material  
Horizontal drain

#### Technical data

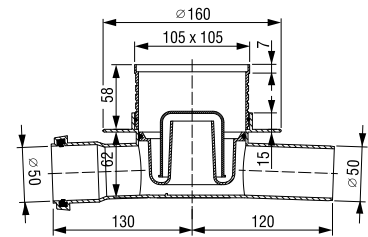
Trap height: 86–120 mm  
Grid: 105 x 105 mm  
Inflow pipe: Ø 50 mm  
Drain pipe: Ø 50 mm  
Water flow: 50.5 l/min

Identification No.: 351003

Weight: 370 g

Packaging: 20 pcs/box  
(595 x 395 x 425 mm)

#### Technical drawing



3 838912 111029



### FLOOR DRAIN, HORIZONTAL, THROUGHFLOW, GRID 100 x 100 mm

#### Purpose

Floor installation

#### Properties

Throughflow floor drain trap with water barrier  
Height adjustable trap  
Robust stainless steel grid  
Housing made of PP material  
Horizontal drain

#### Technical data

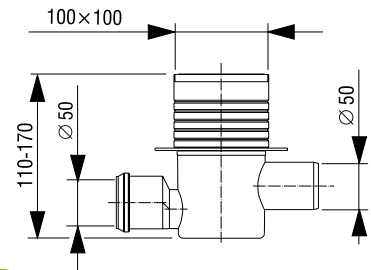
Trap height: 110–170 mm  
Grid: 100 x 100 mm  
Inflow pipe: Ø 50 mm  
Drain pipe: Ø 50 mm

Identification No.: 195245

Weight: 303 g

Packaging: 25 pcs/SPV

#### Technical drawing



3 838912 111104



### FLOOR DRAIN, HORIZONTAL, THROUGHFLOW, GRID 150 x 150 mm

#### Purpose

Floor installation

#### Properties

Throughflow floor drain trap with water barrier  
Height adjustable trap  
Robust stainless steel grid  
Housing made of PP material  
Horizontal drain

#### Technical data

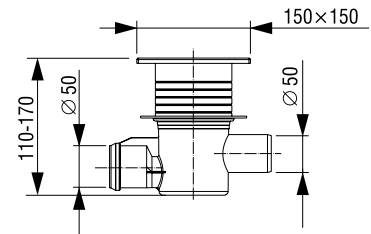
Trap height: 110–170 mm  
Grid: 150 x 150 mm  
Inflow pipe: Ø 50 mm  
Drain pipe: Ø 50 mm

Identification No.: 195246

Weight: 362 g

Packaging: 20 pcs/SPV

#### Technical drawing



# 135 SPARE PARTS

The company Fluidmaster d.o.o. will provide original spare parts for 25 years for all concealed and exposed flushing cisterns.

137	CONCEALED FLUSHING SYSTEMS
145	EXPOSED FLUSHING CISTERNS
151	OTHER SPARE PARTS AND ACCESSORIES
158	TRAPS



# COMPONENT DRAWINGS

## CONCEALED FLUSHING CISTERNS

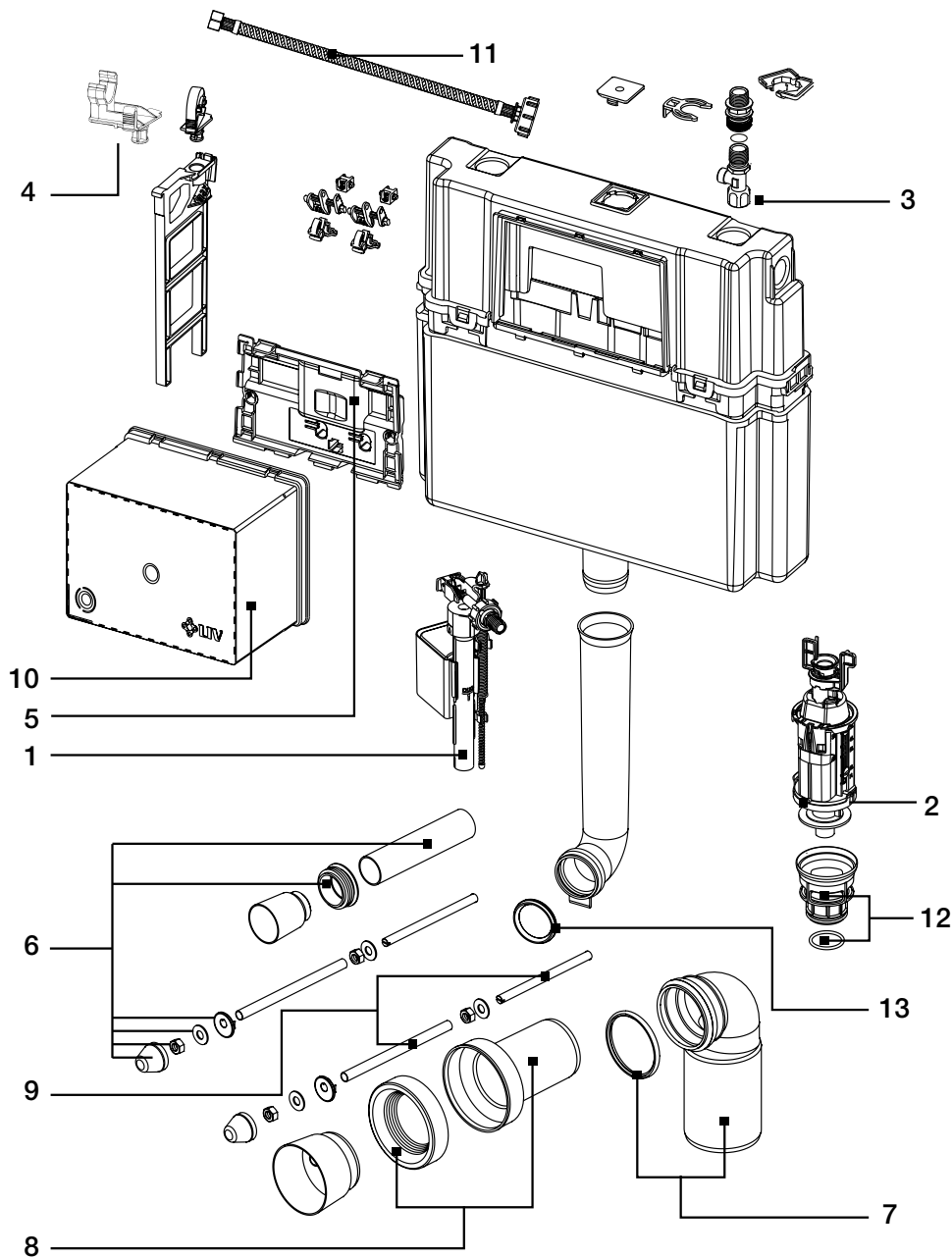
7522 (Herkul)
7512 (Herkul)
9012 (Jog)
9022 (Tornado)
6012
9052 (Mediteran)
3800/380
6052

## EXPOSED FLUSHING CISTERNS

LAGUNA
VISION
CIKLON PLUS
KLASIK
ADRIA
CORAL
CRYSTAL
FORTUNA
LINEA
LAGUNA DUO
VISION DUO
CORAL DUO
CRYSTAL DUO

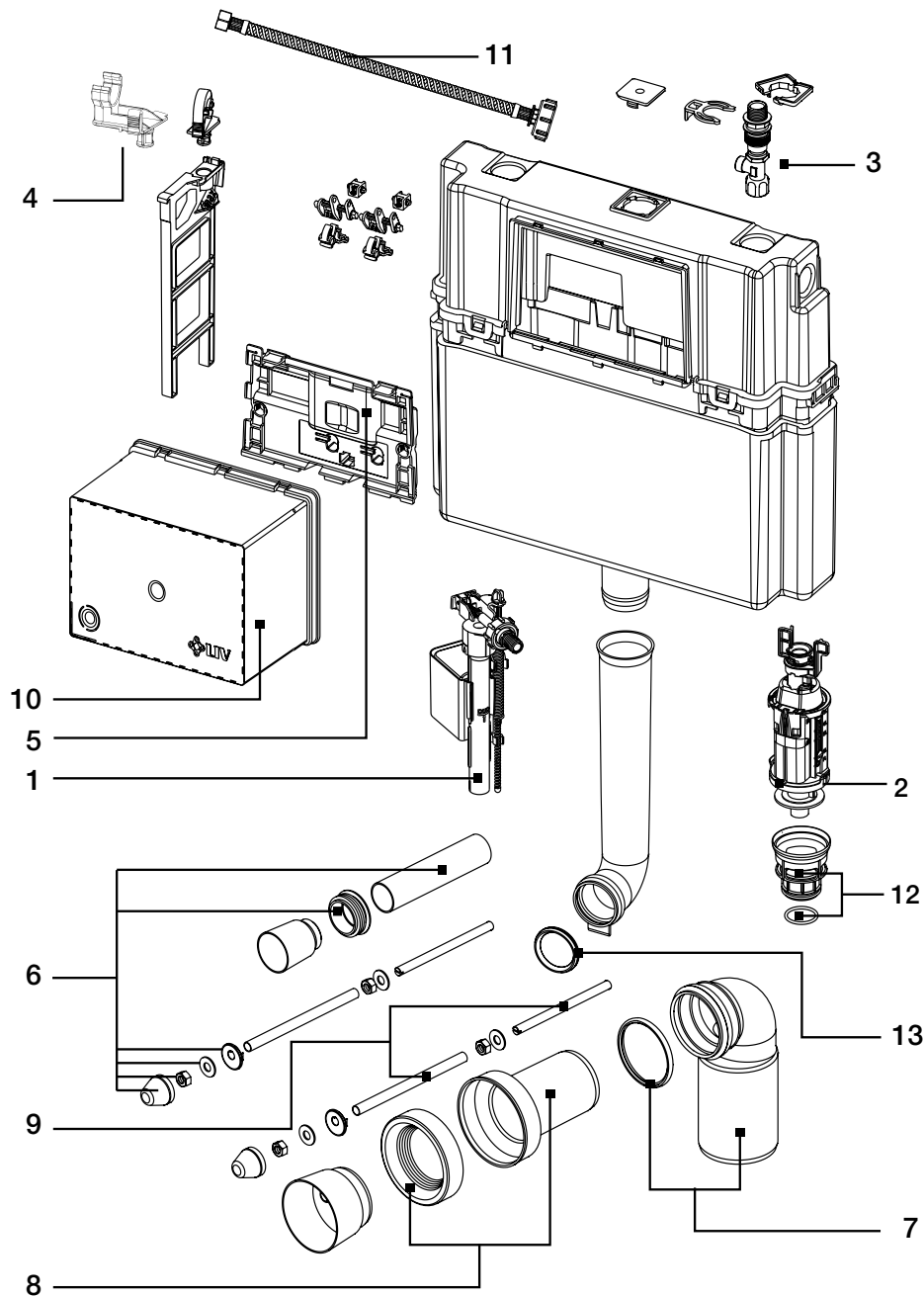


CONCEALED FLUSHING CISTERNS 7522 (HERKUL)



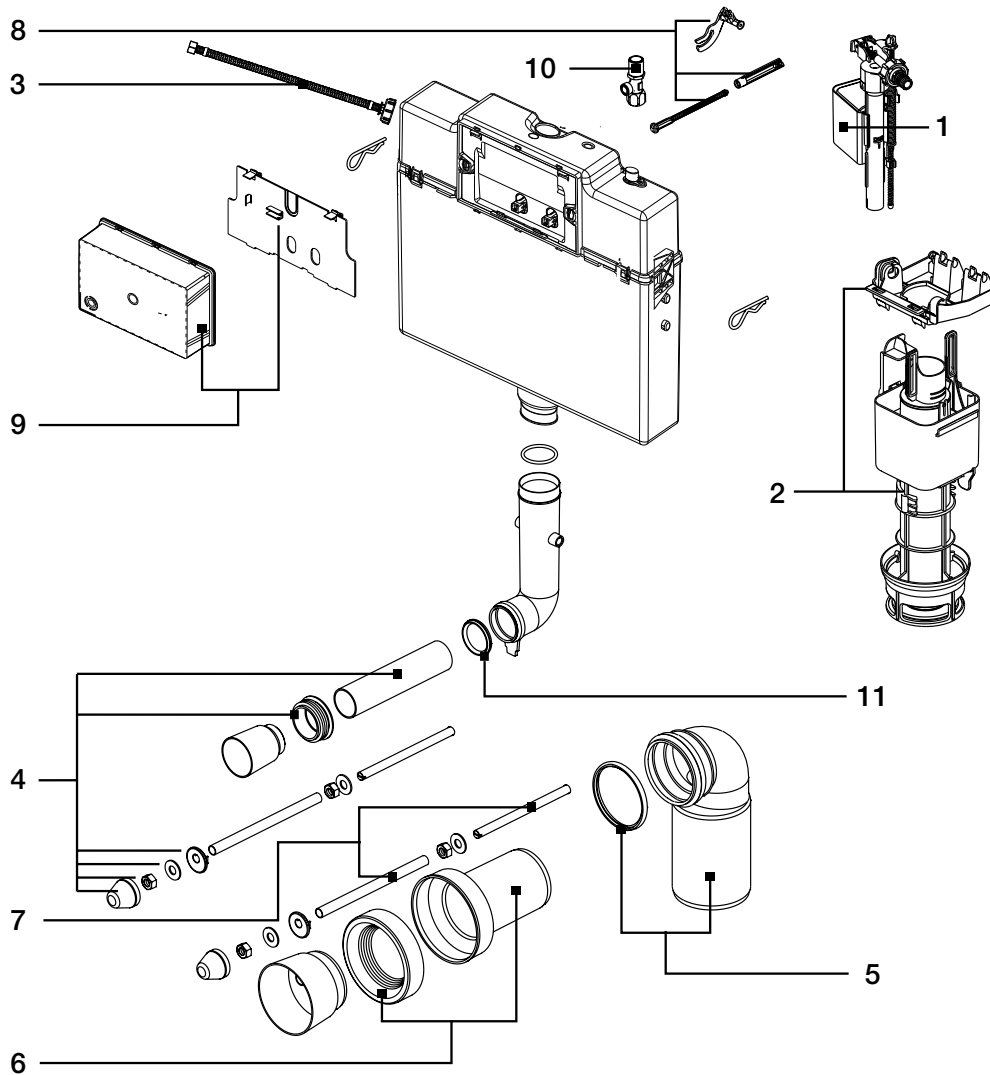
Name	ID No.	EAN code
1 Fill valve HDV, brass shank G 3/8	229109	3838912011916
1 Fill valve 747, brass shank G 3/8	747E-037-P20	3838912063502
2 Galileo flush valve set with a bracket	229584	3838912013712
3 Angle valve G 1/2 - G 3/8	674879	3838912063267
4 Fill valve bracket set	634527	3838912039200
5 Protective cover lid set with mechanism, cistern 7522/7512	229583	3838912013705
6 Outlet pipe set Ø 44	195278	3838912115225
7 Elbow set Ø 110/90	195276	3838912115201
8 Outlet pipe set Ø 90x167 mm	195277	3838912115218
8 Outlet pipe set Ø 90x300 mm	195809	3838912154323
9 Threaded rods and protective tubes set	195027	3838912001917
9 Threaded rods and protective tubes set, FIX	195026	3838912001900
10 Inspection opening protection set, cistern 7522/7512	229582	3838912013620
11 Flexible connection tube	674919	3838912063427
12 Flush valve bracket, cistern 7522	674914	3838912063434
13 Flush elbow seal set	229118	3838912012203

## CONCEALED FLUSHING CISTERNS 7512 (HERKUL)



Name	ID No.	EAN code
1 Fill valve HDV, brass shank G 3/8	229109	3838912011916
1 Fill valve 747, brass shank G 3/8	747E-037-P20	3838912063502
2 Galileo flush valve set with a bracket	229584	3838912013712
3 Angle valve G 1/2 - G 3/8	674879	3838912063267
4 Fill valve bracket set	634527	3838912039200
5 Protective cover lid set with mechanism, cistern 7522/7512	229583	3838912013705
6 Outlet pipe set Ø 44	195278	3838912115225
7 Elbow set Ø 110/90	195276	3838912115201
8 Outlet pipe set Ø 90x167 mm	195277	3838912115218
8 Outlet pipe set Ø 90x300 mm	195809	3838912154323
9 Threaded rods and protective tubes set	195027	3838912001917
9 Threaded rods and protective tubes set, FIX	195026	3838912001900
10 Inspection opening protection set, cistern 7522/7512	229582	3838912013620
11 Flexible connection tube	674919	3838912063427
12 Flush valve bracket, cistern 7522	674914	3838912063434
13 Flush elbow seal set	229118	3838912012203

CONCEALED FLUSHING CISTERNS 9012 (JOG)

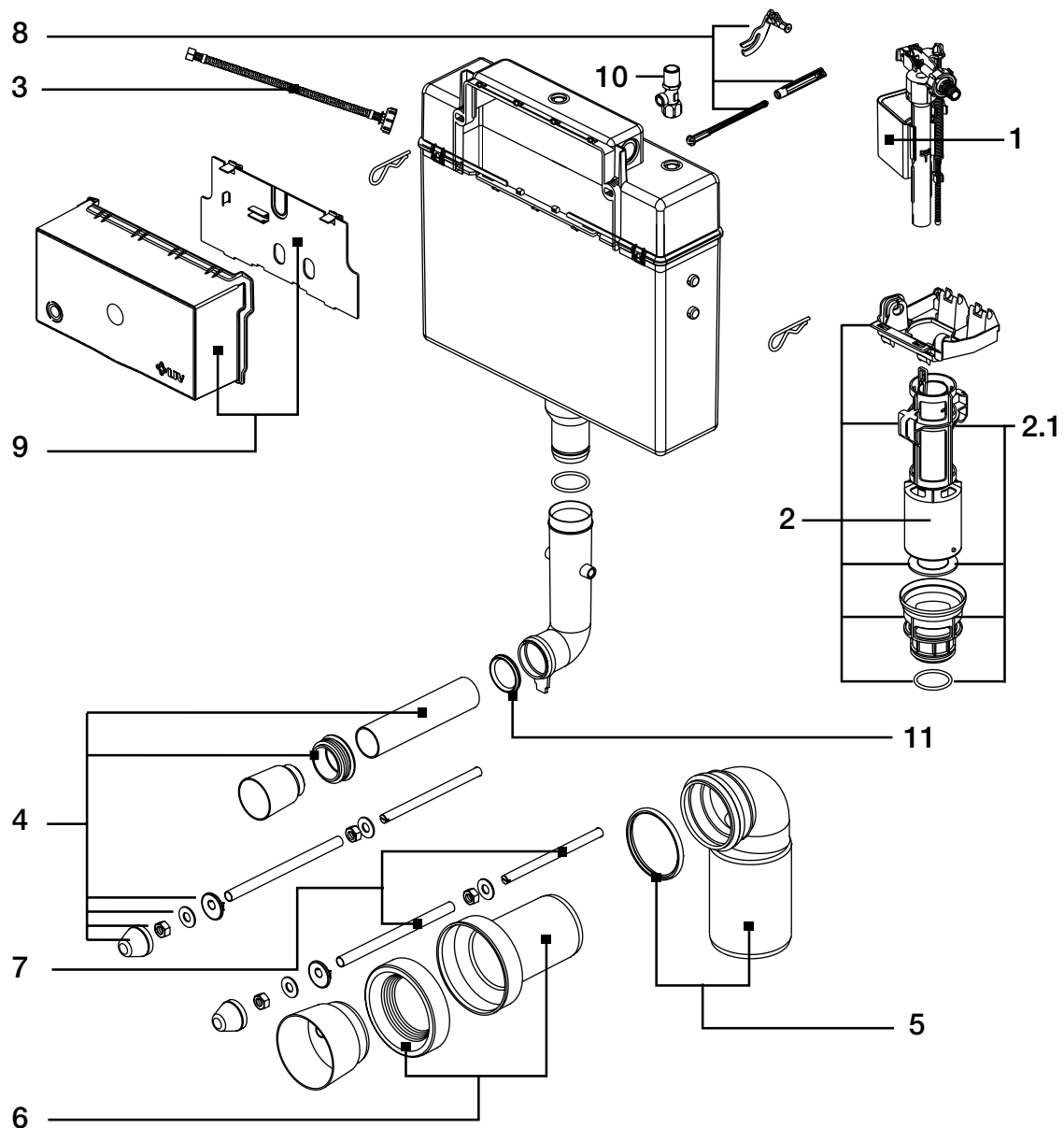


Name	ID No.	EAN code
1 Fill valve HDV, brass shank G 3/8	229109	3838912011916
2 Flush valve, cistern 9012/9022	195028	3838912001924
3 Connecting tube set (from 10/2014)	636859	3838912040022
4 Outlet pipe set Ø 44	195278	3838912115225
5 Elbow set Ø 110/90	195276	3838912115201
6 Outlet pipe set Ø 90x167 mm	195277	3838912115218
6 Outlet pipe set Ø 90x300 mm	195809	3838912154323
7 Threaded rods and protective tubes set	195027	3838912001917
7 Threaded rods and protective tubes set, FIX	195026	3838912001900
8 Lever set (until 02/2014)*	195281	3838912115324
8 Actuating lever with a rod, new (from 02/2014)**	321077	3838912115324
9 Inspection opening protection set, cistern 9012 (Jog)	195044	3838912002624
10 Angle valve G 1/2 - G 3/8	674879	3838912063267
11 Flush elbow seal set	229118	3838912012203

\* cistern 9012 (flushing plates Aplite/Aplite Duo, Selenite/Selenite Duo, until 02/2014) and cistern 9022 (flushing plates Tornado Solo/Stop/Duo

\*\* cistern 9012 (for all related flushing plates, from 02/2014)

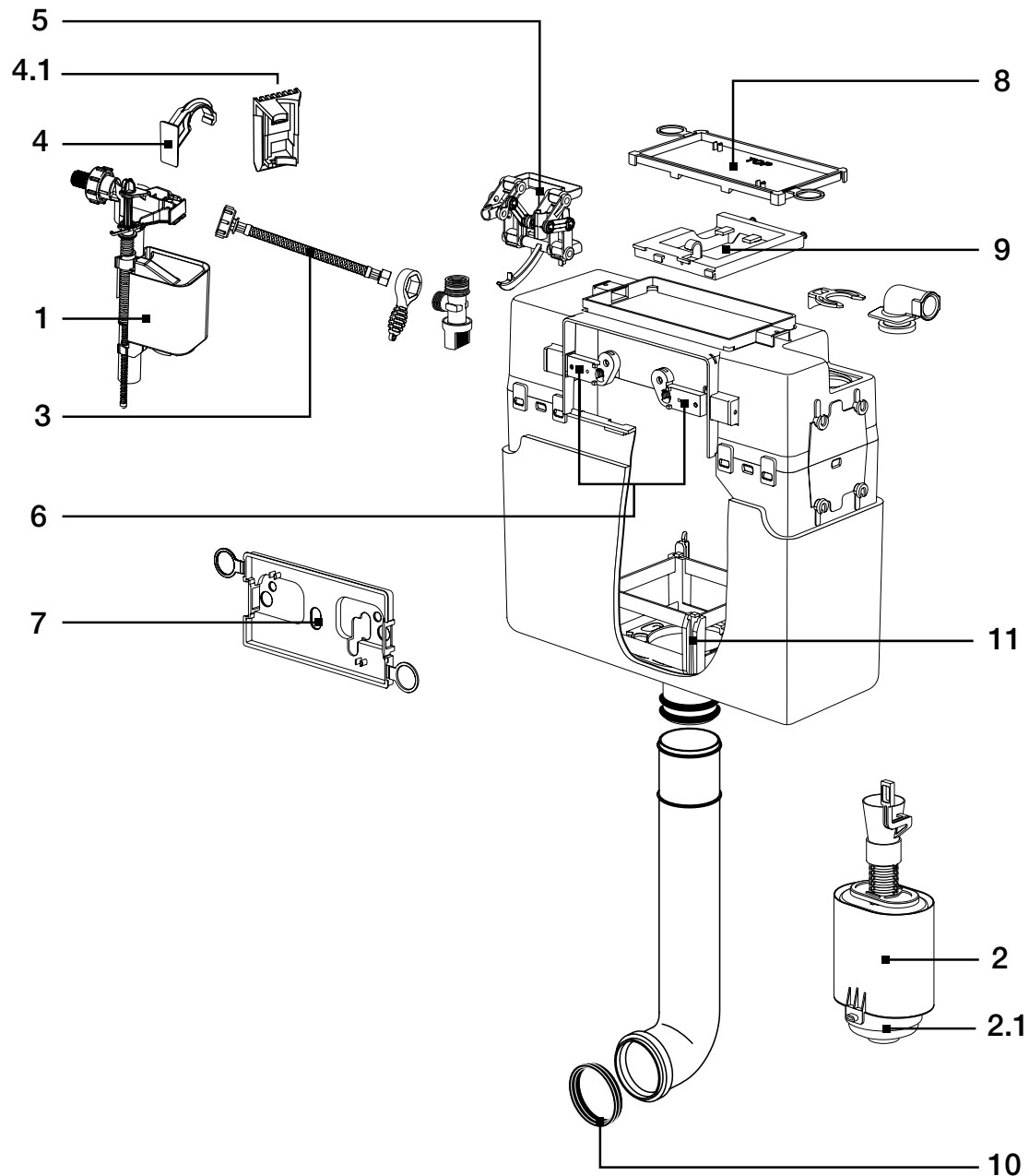
## CONCEALED FLUSHING CISTERNS 9022 (TORNADO)



Name	ID No.	EAN code
1 Fill valve HDV, brass shank G 3/8	229109	3838912011916
2 Flush valve, cistern 9012/9022	195028	3838912001924
2.1 Flush valve, cistern 9021 (Tornado start-stop)	195280	3838912115317
3 Connecting tube set (from 10/2014)	636859	3838912040022
4 Outlet pipe set Ø 44	195278	3838912115225
5 Elbow set Ø 110/90	195276	3838912115201
6 Outlet pipe set Ø 90x167 mm	195277	3838912115218
6 Outlet pipe set Ø 90x300 mm	195809	3838912154323
7 Threaded rods and protective tubes set	195027	3838912001917
7 Threaded rods and protective tubes set, FIX	195026	3838912001900
8 Lever set (until 02/2014)*	195281	3838912115324
9 Inspection opening protection set, cistern 9022 (Tornado)	195043	3838912002617
10 Angle valve G 1/2 - G 3/8	674879	3838912063267
11 Flush elbow seal set	229118	3838912012203

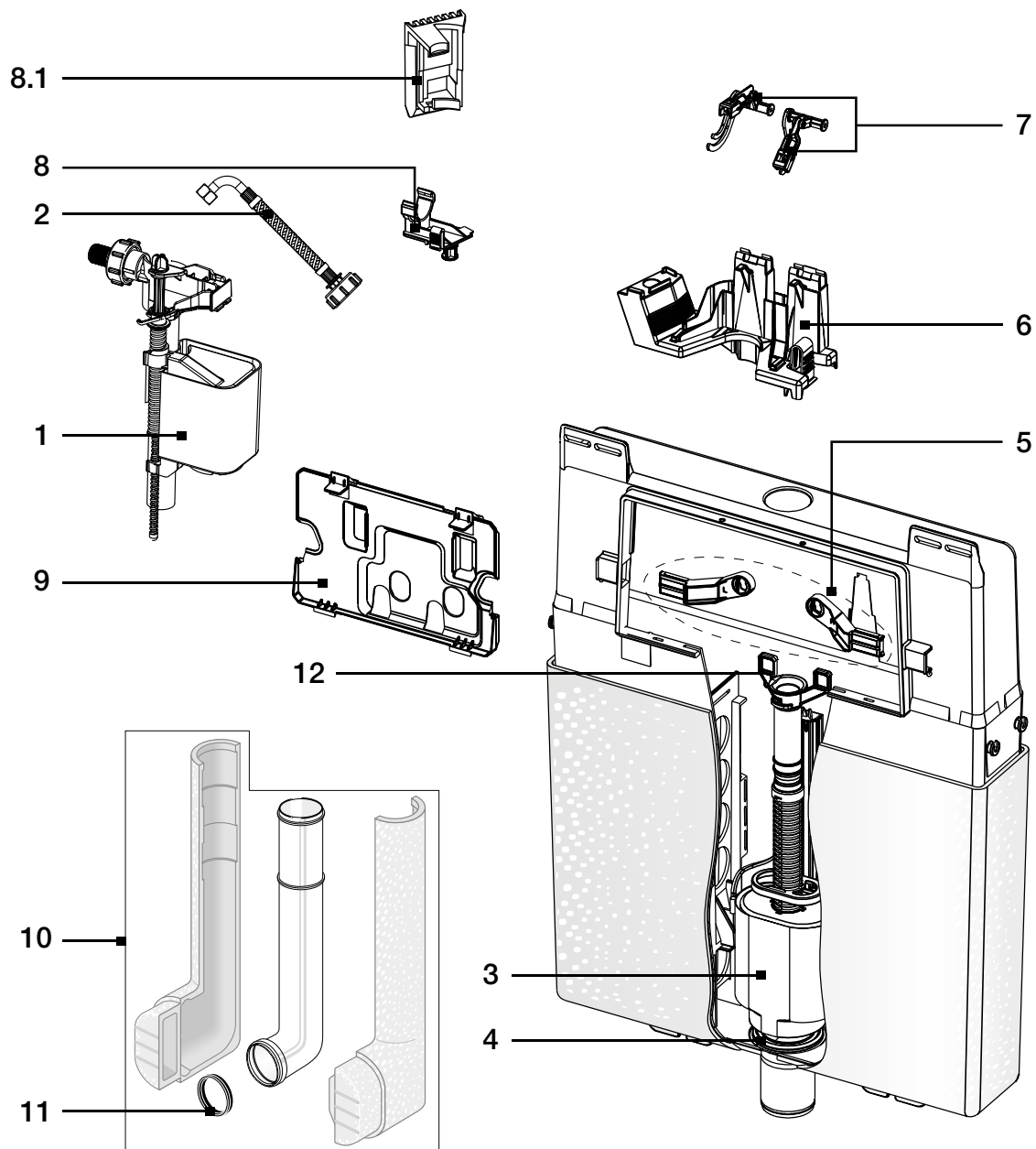
\* cistern 9012 (flushing plates Aplite/Aplite Duo, Selenite/Selenite Duo, until 02/2014) and cistern 9022 (flushing plates Tornado Solo/Stop/Duo)

CONCEALED FLUSHING CISTERN 6012



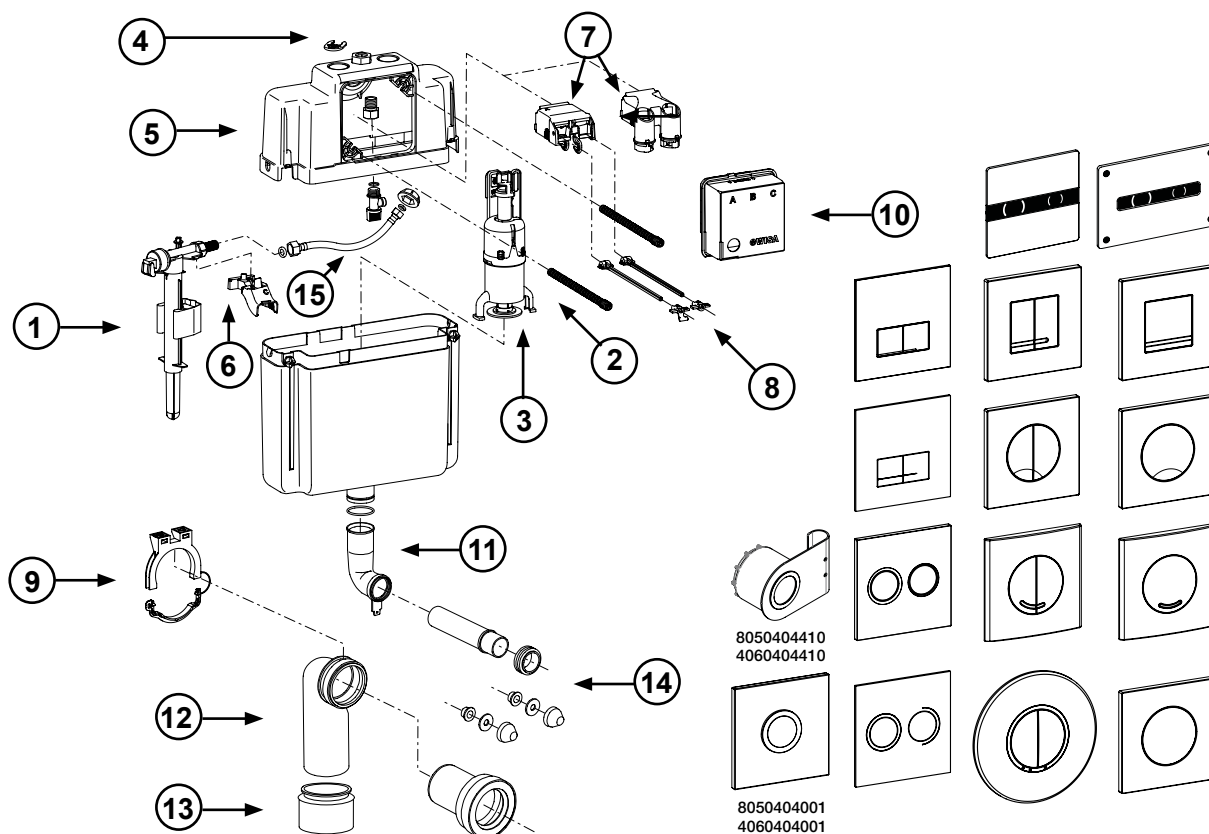
Name	ID No.	EAN code
1 Fill valve HDV, brass shank G 3/8	229109	3838912011916
2 Flush valve set	229121	3838912012302
2.1 Flush valve seal set	229111	3838912011923
3 Connecting tube set	636860	3838912040107
4 Fill valve holder set	229120	3838912012227
4.1 Fill valve bracket set (from 04/2014)	636857	3838912040008
5 Actuating lever set, complete	229124	3838912012326
6 Fixing nut set	229115	3838912012104
7 Inspection opening protection set, front	229117	3838912012128
8 Inspection opening protection set, upper	229116	3838912012111
9 Flush valve holder set, cistern 6012	229122	3838912012319
10 Flush elbow seal set	229118	3838912012203
11 Flush valve holder set	229139	3838912012401

## CONCEALED FLUSHING CISTERN 9052 (MEDITERAN)



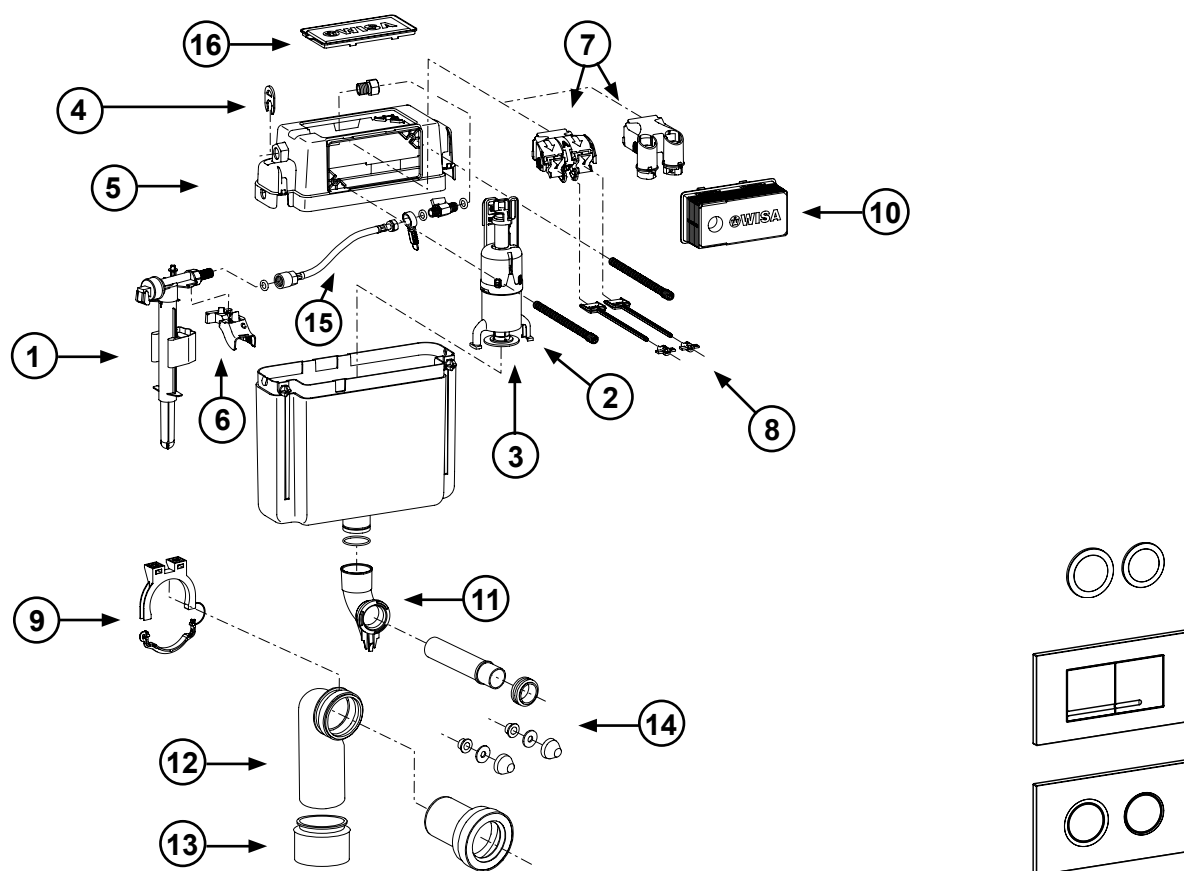
Name	ID No.	EAN code
1 Fill valve HDV, brass shank G 3/8	229109	3838912011916
2 Connecting tube set, angle	229144	3838912012524
3 Flush valve set with a seal	634525	3838912039118
4 Flush valve seal set	229111	3838912011923
5 Fixing element set, complete	634517	3838912038128
6 Bridge, cistern 9052	634523	3838912039101
7 Actuating lever set, complete	634526	3838912038227
8 Fill valve bracket set	634527	3838912039200
8.1 Fill valve bracket set (from 04/2014)	636857	3838912040008
9 Protective cover lid	634521	3838912039002
10 Flush elbow set	366307	3838912032607
11 Flush elbow seal set	229118	3838912012203
12 Flush valve hanger Galileo 1	675027	3838912064424

CONCEALED FLUSHING CISTERN 3800/380



Name	ID No.
1 Fill valve HVK, brass shank G 3/8	8035432795
2 Flush valve with a rubber gasket	8050801525FM
Flush valve DFF (in combination with ID No. 8050404111, 8050404410, 4060404111, 4060404410)	8050801522
3 Flush valve gasket, gubber, 65 mm, black	1411988440
4 Tightening nut	8050887175
5 Cistern lid	8050887113
6 Fill valve bridge, cisterns 3800/380, 6052	8050887079
7 Clamp with control hocks, mechanical	8050390034
Clamp with control hocks, pneumatic	8050390032
Clamp with control hocks, DFF (in combination with ID No. 8050404111, 8050404410, 4060404111, 4060404410)	8050390052
Clamp with control hocks, SF (in combination with ID No. 8050404001, 4060404001)	8050390051
8 Mounting and regulation pin set for flushing plates, DUO	8050390109
9 Drain elbow mounting clamp	8050887097
10 Inspection opening protection, front	8050887145
11 Flush pipe with tongue, L=245 mm	8050887355
Set of rubber seals for 90 mm drain pipe and drain elbow	8050390061
12 Discharge elbow Ø 90 x 90 mm	8050390090
13 Adapter reduction piece Ø 90/110 mm	8050390091
14 WC connection kit Ø 90 mm, L = 230 mm	8050390080
WC connection kit Ø 90 mm, L = 300 mm	8050390081
15 Flexible connections tube	8050802329
Flexible connections tube, Eurocone interior	8050802325
Flexible connections tube, G 1/2 interior	8050802326

## CONCEALED FLUSHING CISTERNS

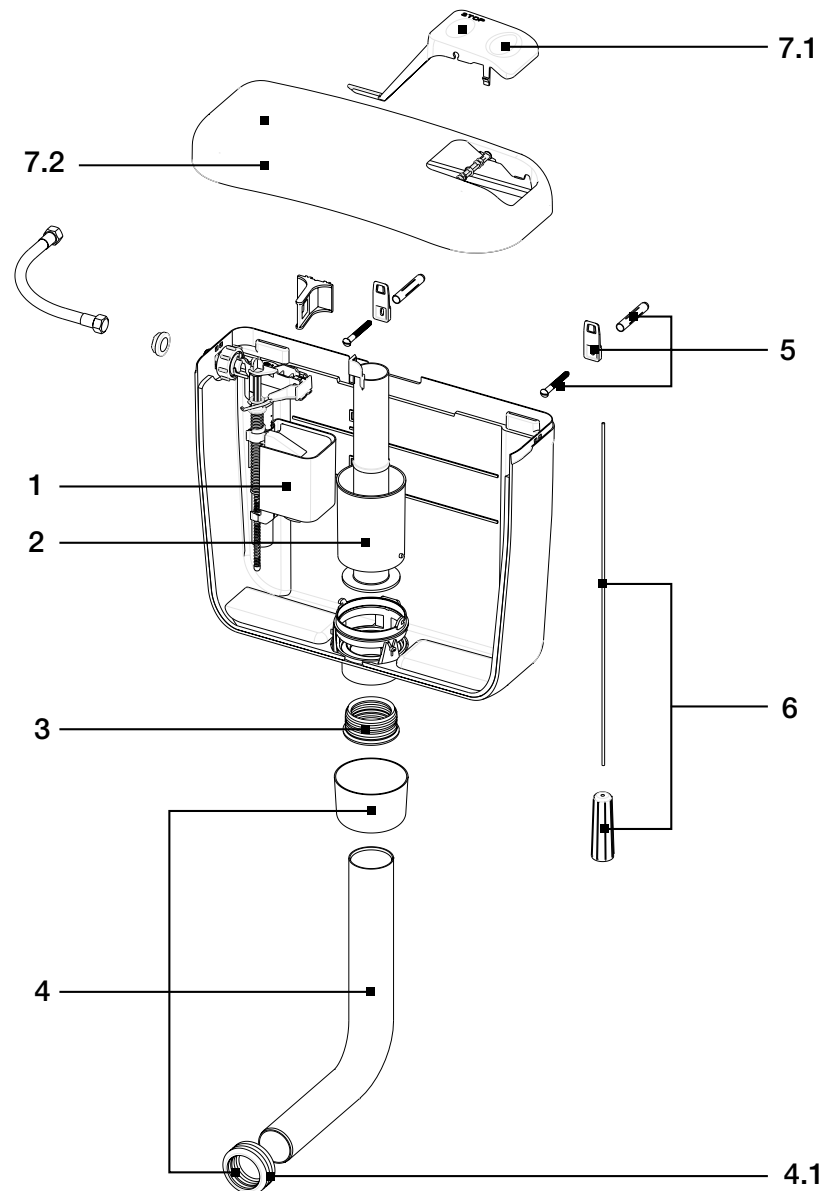


Name	ID No.
1 Fill valve HVK, brass shank G 3/8	8035432795
2 Flush valve with a rubber gasket	8050801525FM
Flush valve DFF (in combination with ID No. 8050404111, 8050404410, 4060404111, 4060404410)	8050801522
3 Flush valve gasket, gubber, 65 mm, black	1411988440
4 Tightening nut	8050887175
5 Cistern lid	8050887119
6 Fill valve bridge	8050887079
7 Clamp with control hocks, mechanical	8050390031
Clamp with control hocks, pneumatic	8050390032
Clamp with control hocks, DFF (in combination with ID No. 8050404111, 8050404410, 4060404111, 4060404410)	8050390052
8 Mounting and regulation pin set for flushing plates, DUO	8050390111FM
9 Drain elbow mounting clamp	8050887097
10 Inspection opening protection, top/front	8050887169
11 Flush pipe, L=74 mm	8050887349
Set of rubber seals for 90 mm drain pipe and drain elbow	8050390061
12 Discharge elbow Ø 90 x 90 mm	8050390090
13 Adapter reduction piece Ø 90/110 mm	8050390091
14 WC connection kit Ø 90 mm, L = 230 mm	8050390080
WC connection kit Ø 90 mm, L = 300 mm	8050390081
15 Flexible connections tube	8050802332
16 Cover, cistern 6052	8050887104



## EXPOSED FLUSHING CISTERNS WITH START-STOP FLUSHING

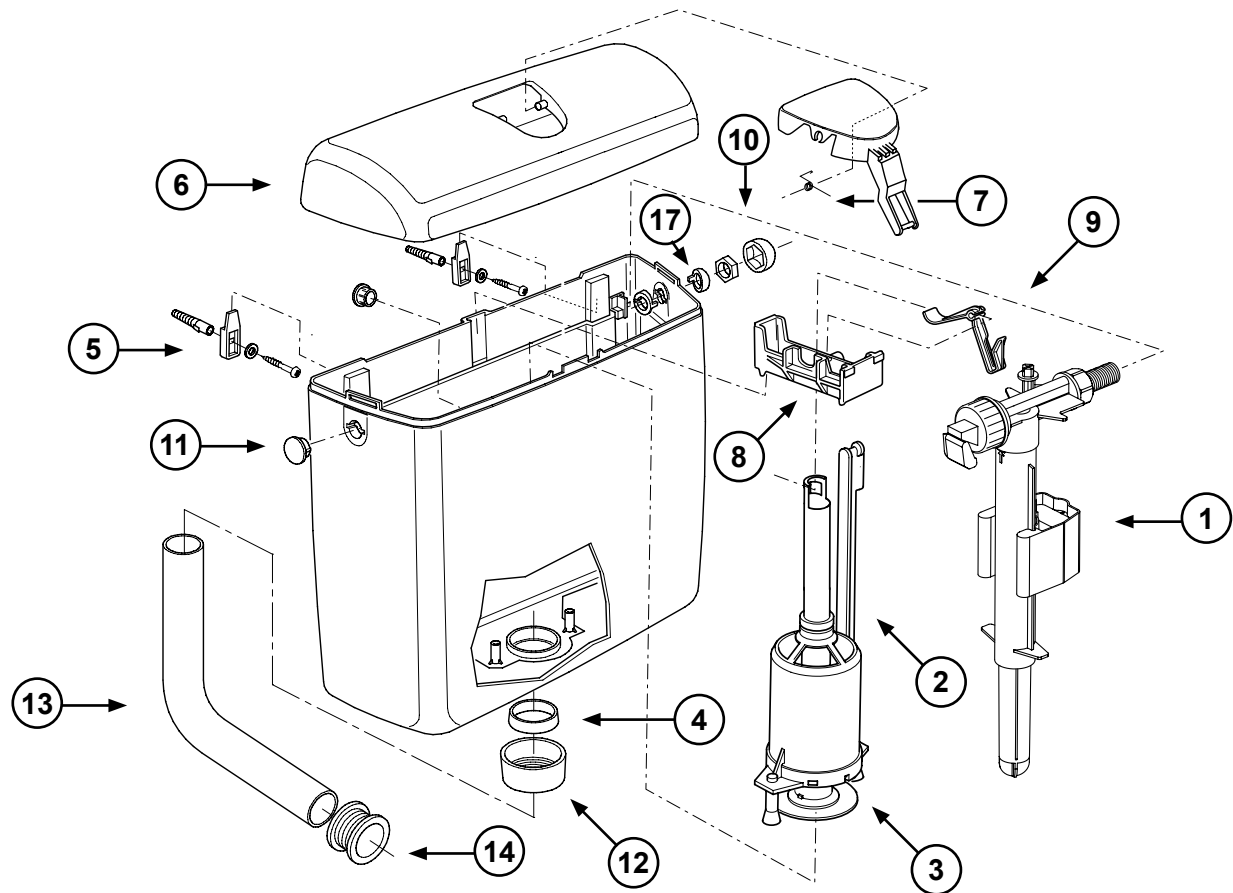
Laguna, Vision, Ciklon Plus, Klasik, Adria, Coral



Name	ID No.	EAN code
1 Fill valve HDV, brass shank G 3/8,	229109	3838912011916
2 Flush valve, cisterns Laguna, Vision, Ciklon Plus, Klasik	195256	3838912111623
2 Flush valve, cistern Adria	229112	3838912012005
2 Flush valve, cistern Coral	635731	3838912039125
3 Flushing cistern outlet seal set Ø 50/60	201742	3838912119520
4 Pipe for low installation flushing cistern set, 270 x 220 mm	195774	3838912152855
4 Pipe for low installation flushing cistern set, 325 x 220 mm, cisterns Coral/Coral Duo	674830	3838912063250
4.1 Toilet bowl seal set Ø 44/55	196907	3838912501905
5 Holder set (screw and insert)	195191	3838912102300
6 Handle with cord set for high installation	196903	3838912501813
7.1 Button set, cistern Laguna, white	196906	3838912501882
7.1 Button set, cistern Vision, white	195285	3838912115522
7.1 Button set, cistern Ciklon Plus, white	195374	3838912123817
7.1 Button set, cistern Klasik, white	195837	3838912155719
7.1 Button set, cistern Adria, white	229107	3838912011824
7.1 Button set, cistern Coral PS, white	635727	3838912038821
7.2 Cover lid, cisterns Coral/Coral Duo, white	635728	3838912038920
7.2 Cover lid, cistern Adria, white	229106	3838912011817
7.2 Cover lid, cisterns Laguna/Laguna Duo, white	253102	3838912016607
7.2 Cover lid, cisterns Vision/Vision Duo, white	253332	3838912016614
7.2 Cover lid, cistern Klasik, white	667129	3838912050908

## EXPOSED FLUSHING CISTERNS WITH START-STOP FLUSHING

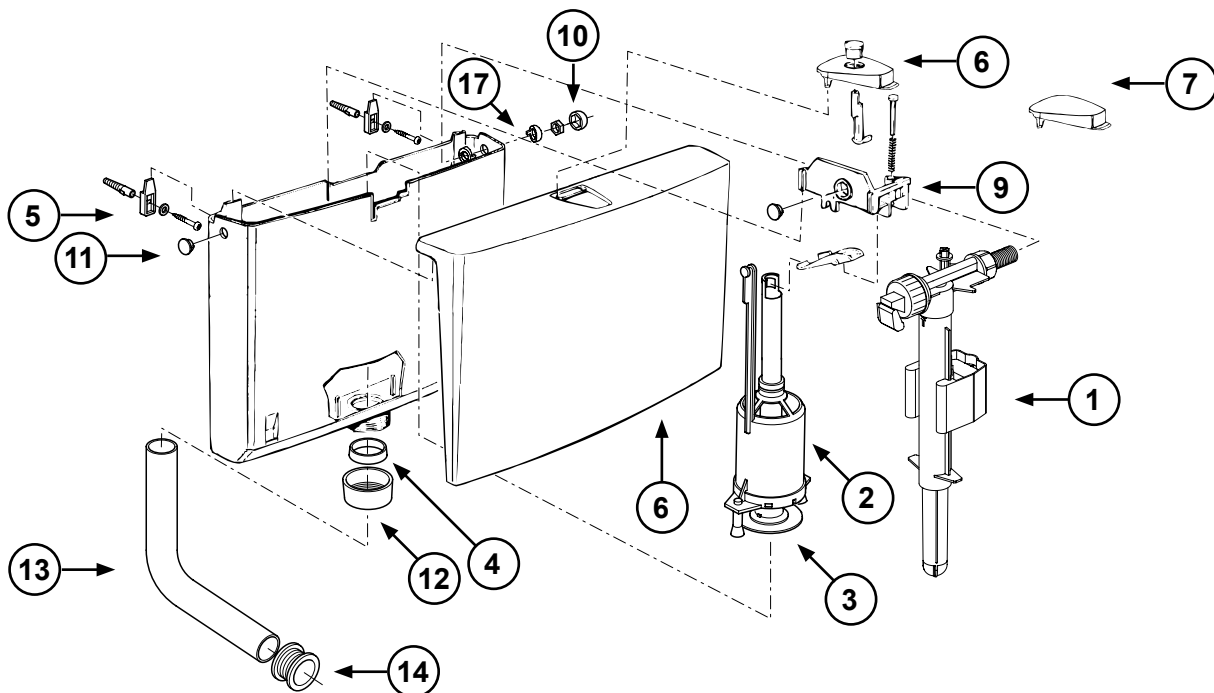
## Crystal



Name	ID No.	EAN code
1 Fill valve HVK, brass shank G 3/8	8035432795	8711778074460
2 Flush valve with a rubber gasket	8050800507	8711778017160
3 Flush valve gasket, rubber, 65 mm, black	1411988440	8711778164833
4 Flushing cistern outlet seal	8050882450	8711778164871
5 Holder set (screw and insert) and flush pipe gasket	8050800078	8711778016446
6 Cistern cover with a function button, cistern Crystal, white	8050410801	8711778107113
7 Button spring	1401980620	8711778001534
8 Bridge, cistern Crystal	8050883652	8711778021068
9 Lever, cistern Crystal	8050883653	8711778021075
10 Rosette, white	8050882382	8711778017795
11 Closing cup, white	8050883750	8711778021181
12 Flush pipe rosette, white	8050882430	8711778017849
13 Flush pipe elbow, white	8050110101	8711778003101
14 Toilet bowl gasket	8050985530	8711778164895
17 Fixation ring, white	8050883620	8711778020900

## EXPOSED FLUSHING CISTERNS WITH START-STOP FLUSHING

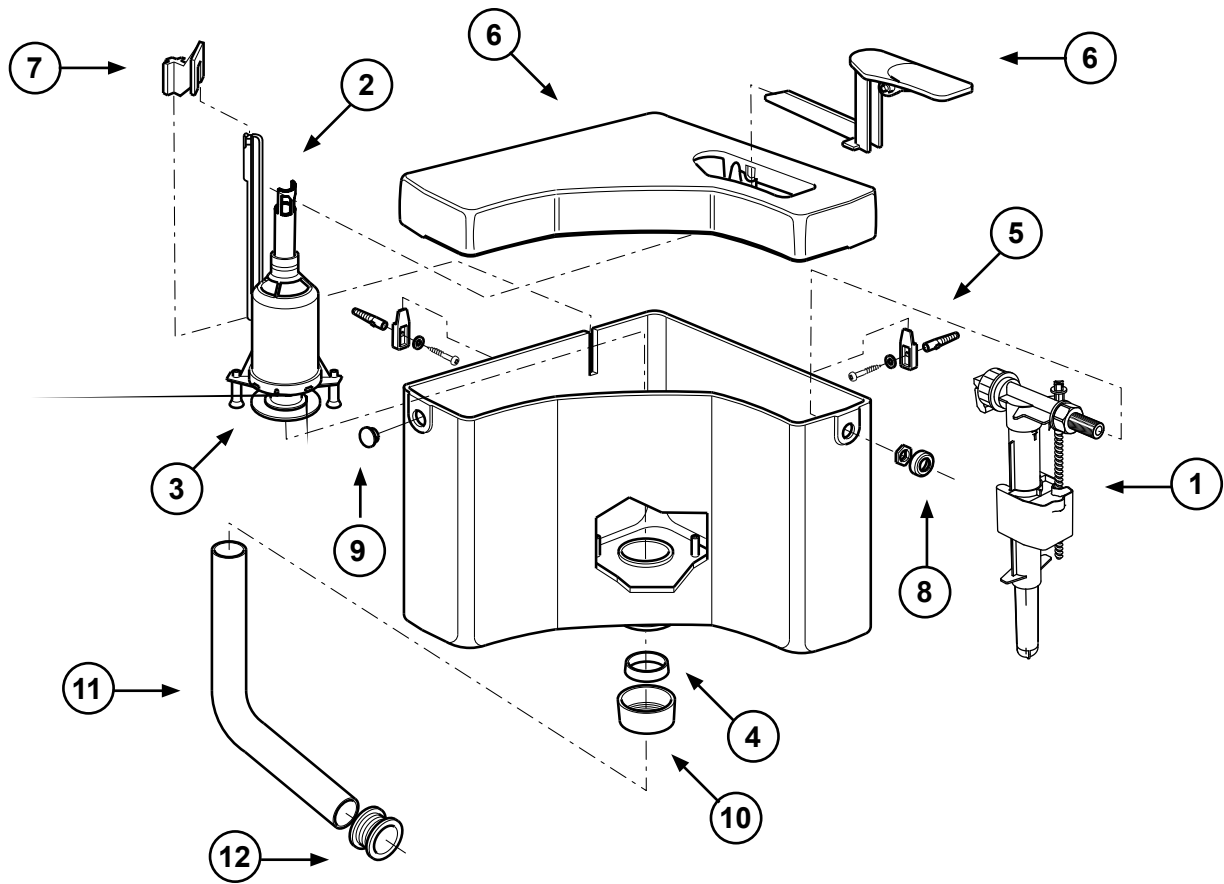
## Fortuna



Name	ID No.	EAN code
1 Fill valve HVK, brass shank G 3/8	8035432795	8711778074460
2 Flush valve with a rubber gasket	8050800504	8711778017146
3 Flush valve gasket, rubber, 65 mm, black	1411988440	8711778164833
4 Flushing cistern outlet seal	8050882450	8711778164871
5 Holder set (screw and insert) and flush pipe gasket	8050800078	8711778016446
6 Cistern cover with a function button, cistern Fortuna, white	8050411201	8711778107151
7 Function button, cistern Fortuna, white	8050899149	8711778113824
9 Bridge, cistern Fortuna	8050800198	8711778016521
10 Rosette, white	8050882382	8711778017795
11 Closing cup, white	8050882480	8711778018013
12 Flush pipe rosette, white	8050882430	8711778017849
13 Flush pipe elbow, white	8050110101	8711778003101
14 Toilet bowl gasket	8050985530	8711778164895
17 Spacer	8050882490	8711778018082

## EXPOSED FLUSHING CISTERNS WITH START-STOP FLUSHING

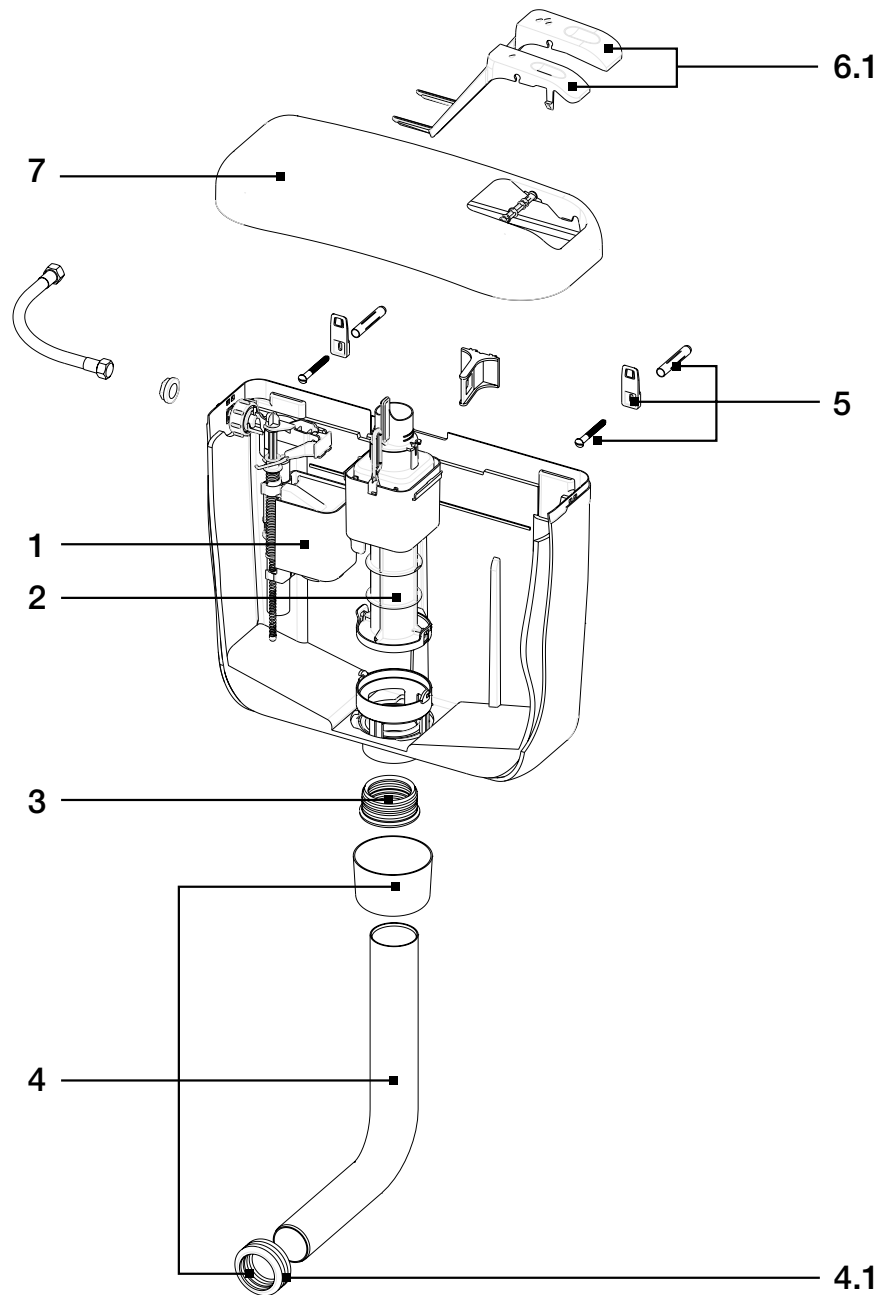
Linea



Name	ID No.	EAN code
1 Fill valve HVK, brass shank G 3/8	8035432795	8711778074460
2 Flush valve with a rubber gasket	8050800500	8711778017108
3 Flush valve gasket, rubber, 65 mm, black	1411988440	8711778164833
4 Flushing cistern outlet seal	8050882450	8711778164871
5 Holder set (screw and insert) and flush pipe gasket	8050800078	8711778016446
6 Cistern cover with a function button, cistern Linea, white	8050410401	8711778107076
7 Bridge, cistern Linea	8050887076	8711778100251
8 Rosette, white	8050882382	8711778017795
9 Closing cup, white	8050882480	8711778018013
10 Flush pipe rosette, white	8050882430	8711778017849
11 Flush pipe elbow, white	8050110101	8711778003101
12 Toilet bowl gasket	8050985530	8711778164895

## EXPOSED FLUSHING CISTERNS WITH DUAL FLUSHING

Laguna duo, Vision duo, Coral duo

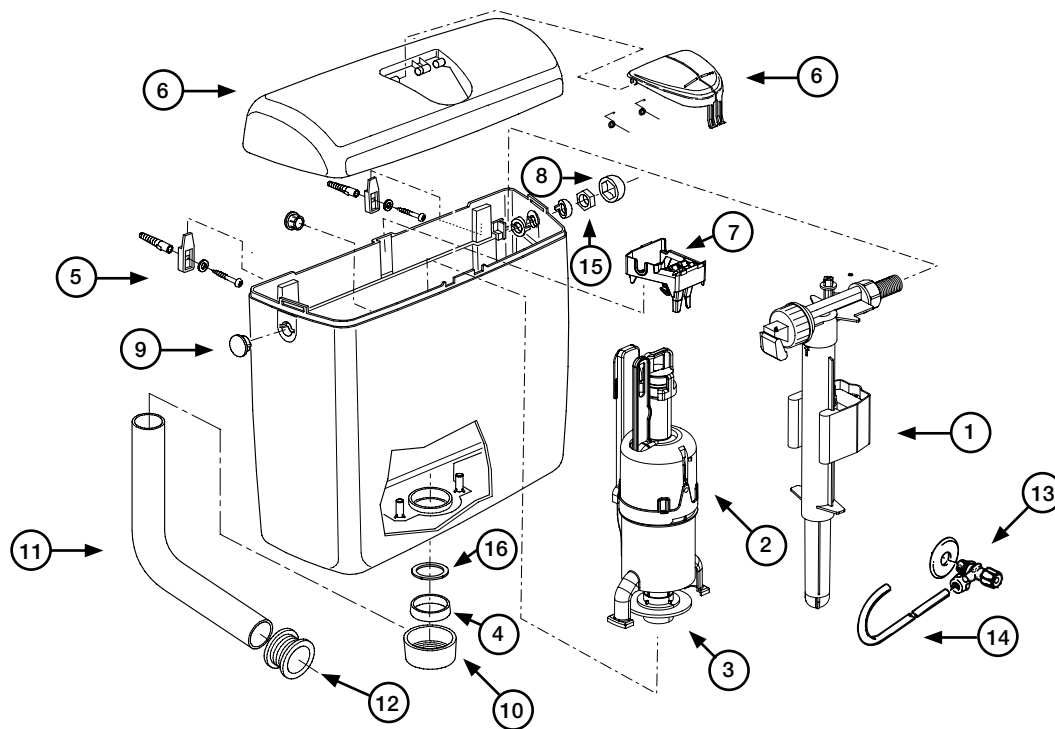


\* – the figure is symbolic

Name	ID No.	EAN code
1 Fill valve HDV, brass shank G 3/8	229109	3838912011916
2 Flush valve, cistern Laguna Duo	195624	3838912146212
2 Flush valve, cistern Coral Duo	635729	3838912039026
3 Flushing cistern outlet seal set Ø 50/60	201742	3838912119520
4 Pipe for low installation flushing cistern set, 270 x 220 mm	195774	3838912152855
4 Pipe for low installation flushing cistern set, 325 x 220 mm, cisterns Coral/Coral Duo	674830	3838912063250
4.1 Toilet bowl seal set Ø 44/55	196907	3838912501905
5 Holder set (screw and insert)	195191	3838912102300
6.1 Button set, cistern Laguna Duo, white	195875	3838912157119
6.1 Button set, cistern Vision Duo, white	208913	3838912002600
6.1 Button set, cistern Coral Duo PS, white	635726	3838912039811
7 Cover lid, cistern Laguna/Laguna Duo, white	253102	3838912016607
7 Cover lid, cistern Vision/Vision Duo, white	253332	3838912016614
7 Cover lid, cistern Coral/Coral Duo, white	635728	3838912038920

## EXPOSED FLUSHING CISTERNS WITH DUAL FLUSHING

## Crystal Duo



Name	ID No.	EAN code
1 Fill valve HVK, brass shank G 3/8	8035432795	8711778074460
2 Flush valve with gasket	8050801531	8711778219984
3 Rubber gasket	8035390111	8711778117945
4 Flushing cistern outlet seal	8050882450	8711778164871
5 Holder set (screw and insert) and flush pipe gasket	8050800078	8711778016446
6 Cistern cover with a function button, cistern Crystal, white	8050410901	8711778107120
7 Support	8050390127	8711778221444
8 Rosette, white	8050882382	8711778017795
9 Closing cup, white	8050883750	8711778021181
10 Flush pipe rosette, white	8050882430	8711778017849
11 Pipe for low installation flushing cistern set, white	674830	3838912063250
12 Toilet bowl gasket	8050985530	8711778164895
13 Angle valve G 1/2	1403987112	8711778001633
14 Connection pipe, copper	1405987118	8711778002562
15 Fixation ring, white	8050883620	8711778020900
16 Flow reducer	8050887196	8711778125605



**FILL VALVE 747, brass shank G 3/8**

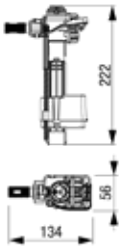
**Identification No.:**  
747E-037-P20  
Packing: 20 pcs./carton

**Purpose**  
Suitable for concealed and exposed flushing cisterns  
Suitable for ceramic cisterns

**Properties**  
Compact and durable hydraulic filling valve  
Side mount valve  
Suitable for high and low pressure (restrictor added in the shank)  
Extremely quiet operation (Class 1)  
Short filling time  
Water level adjusting screw  
Anti-corrosion material  
Unique self-cleaning valve mechanism  
Fast and easy to install  
Proven and reliable quality  
Consistent performance  
Installation sheet included

**Technical specifications**  
Brass shank G 3/8 x 39 mm

Technical drawing



3 838912 106350 2



**FILL VALVE 747, brass shank G 1/2**

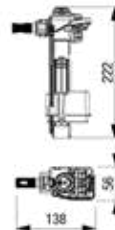
**Identification No.:**  
747U-038-P20  
Packaging: 20 pcs./carton

**Purpose**  
Suitable for concealed and exposed flushing cisterns  
Suitable for ceramic cisterns

**Properties**  
Compact and durable hydraulic filling valve  
Side mount valve  
Suitable for high and low pressure (restrictor added in the shank)  
Extremely quiet operation (Class 1)  
Short filling time  
Water level adjusting screw  
Anti-corrosion material  
Unique self-cleaning valve mechanism  
Fast and easy to install  
Proven and reliable quality  
Consistent performance  
Installation sheet included

**Technical specifications**  
Brass shank G 1/2 x 44 mm

Technical drawing



3 838912 106351 9



**FILL VALVE 400, brass shank G 3/8**

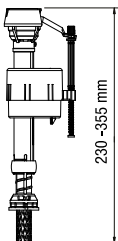
**Identification No.:**  
400E-025-P25  
Packing: 25 pcs./carton

**Purpose**  
Suitable for exposed plastic and ceramic flushing cistern with bottom water connection

**Properties**  
Bottom mount valve  
Adjustable valve height (230 – 355 mm)  
Suitable for high and low pressure  
Extremely quiet operation (Class 1)  
Fast filling time  
Unique self-cleaning valve mechanism  
Fast and easy to install  
Proven and reliable quality  
Consistent performance  
Installation sheet included

**Technical specifications**  
Brass shank G 3/8 x 43 mm

Technical drawing



3 838912 106345 8



**FILL VALVE 400, brass shank G 1/2**

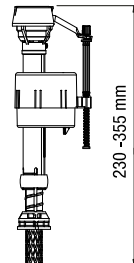
**Identification No.:**  
400U-026-P25  
Packing: 25 pcs./carton

**Purpose**  
Suitable for exposed plastic and ceramic flushing cistern with bottom water connection

**Properties**  
Bottom mount valve  
Adjustable valve height (230 – 355 mm)  
Suitable for high and low pressure  
Extremely quiet operation (Class 1)  
Fast filling time  
Unique self-cleaning valve mechanism  
Fast and easy to install  
Proven and reliable quality  
Consistent performance  
Installation sheet included

**Technical specifications**  
Brass shank G 1/2 x 50 mm

Technical drawing



3 838912 106347 2



**FILL VALVE 400, plastic shank G 3/8**

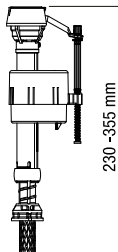
**Identification No.:**  
400E-027-P25  
Packing: 25 pcs./carton

**Purpose**  
Suitable for exposed plastic and ceramic flushing cistern with bottom water connection

**Properties**  
Bottom mount valve  
Adjustable valve height (230 – 355 mm)  
Suitable for high and low pressure  
Extremely quiet operation (Class 1)  
Fast filling time  
Unique self-cleaning valve mechanism  
Fast and easy to install  
Proven and reliable quality  
Consistent performance  
Installation sheet included

**Technical specifications**  
Plastic shank G 3/8 x 43 mm

Technical drawing



3 838912 106346 5



**FILL VALVE HDV, brass shank G 3/8**

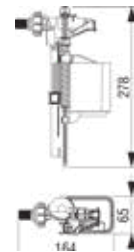
**Identification No.:**  
229109  
Packing: 40 pcs./carton

**Purpose**  
Suitable for concealed and exposed flushing cisterns

**Properties**  
Extremely robust and durable mechanical filling valve  
Side mount valve  
Suitable for high and low pressure  
Resistant to small-sized particles in inflow water  
Extremely quiet operation (Class 1)  
Short filling time  
Water level adjusting screw  
Fast and easy to install  
Proven and reliable quality  
Consistent performance  
Installation sheet included

**Technical specifications**  
Brass shank G 3/8 x 21 mm

Technical drawing



3 838912 011916 2



**FILL VALVE HVK, brass shank G 3/8**

Identification No.: **8035432795**

Packing: 36 pcs./carton

**Purpose**

Suitable for concealed and exposed flushing cisterns

**Properties**

- Durable hydraulic filling valve
- Side mount valve
- Extremely quiet operation (Class 1)
- Fast filling time
- Water level adjusting screw
- Telescopic tube
- Fast and easy to install
- Proven and reliable quality
- Consistent performance
- Installation sheet included

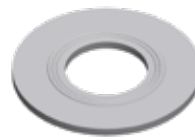
**Technical specifications**

Brass shank G 3/8 x 33 mm

**Technical drawing**



8



**FLUSHING VALVE SEAL, silicon**

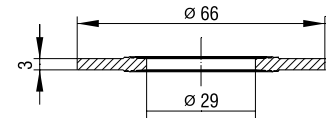
Identification No.: **196909**

Packaging: 50 pcs/NZ9

For concealed flushing cisterns 7512/7522, 9012, 9022

For exposed flushing cisterns Laguna, Vision, Coral, Ciklon, Ciklon Plus, Klasik

**Technical drawing**



3



**HANDLE WITH CORD SET FOR HIGH INSTALLATION**

Identification No.: **196903**

Packaging: 50 pcs/NZ9



3



**CLAMP**

Identification No.: **195190**

Packaging: 30 pcs/NZ9

**The product contains**

- Clamp
- Screw and wall insert



3



**ELBOW Ø 40/44**

Identification No.: **196912**

Packaging: 25 pcs/NZ8



3



**VISION MONOBLOCK**

Identification No.: **195255**

Packaging: 25 pcs/NZ9

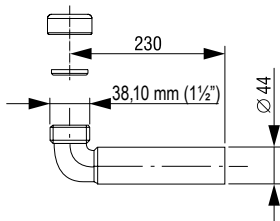
**The product contains**

- Elements for mounting the cistern
- Gasket



3

**Technical drawing**



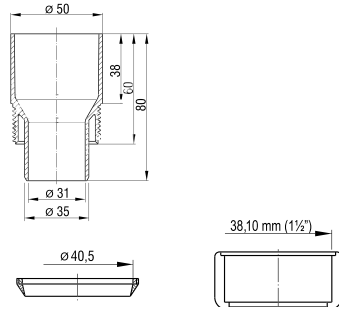




**REDUCTION SLEEVE (NUT AND SEAL)**

Identification No.: 196902  
Packaging: 20 pcs/NZ9

Technical drawing

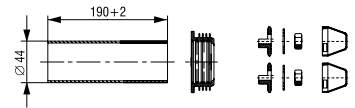


**OUTLET PIPE Ø 44**

Identification No.: 195278  
Packaging: 25 pcs/NZ8

**Product contains**  
Set with outlet pipe, toilet bowl gasket and fastening material

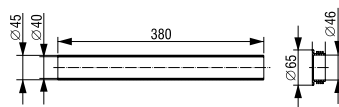
Technical drawing



**EXTENSION Ø 45/44 x 380**

Identification No.: 195025  
Packaging: 25 pcs/NZ1

Technical drawing

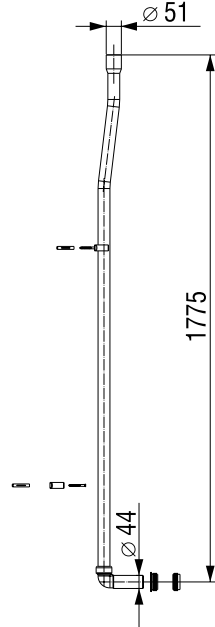


**TUBE FOR HIGH INSTALLATION OF A FLUSHING CISTERN**

Identification No.: 196911  
Packaging: 30 pcs/carton

**The product contains**  
Tube, tube brackets and seals

Technical drawing

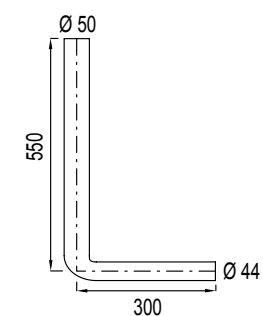


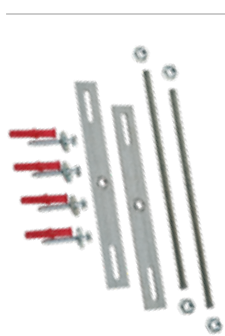
**PIPE FOR LOW INSTALLATION FLUSHING CISTERN SET, 550 x 300 mm**

Identification No.: 645165  
Packaging: 12 pcs/carton

**Properties**  
Ø 50/44 mm  
550 x 300 mm

Technical drawing



**STABILISATION SET**

Identification No.: 363298

**Installation method**

For additional mounting in case of a need for increased load of the toilet bowl mounting

**The product contains**

All parts required for mounting and fixing are supplied  
Screws and anchor devices



3 838912 031815

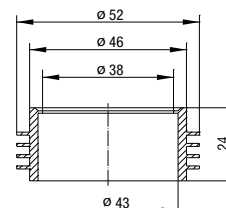
**TOILET BOWL SEAL**  
Ø 44/48

Identification No.: 196908

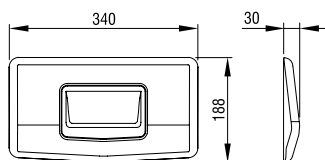
Packaging: 50/NZ8



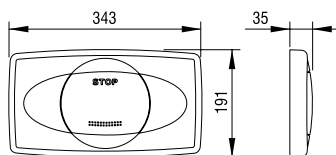
3 838912 501912

**Technical drawing****Technical drawings**

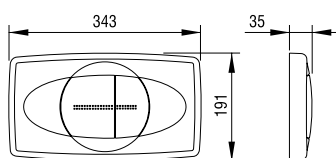
Tornado Solo



Tornado Stop



Tornado Duo

**FLUSHING PLATES TORNADO SOLO and TORNADO STOP**, for start-stop flushing**FLUSHING PLATE TORNADO DUO**, for dual flushing**Installation method**

Installation on concealed flushing cisterns

**Properties**

Material: high-quality plastic  
No tools are required for installation

**Technical data**

For dual flushing (Tornado Duo)  
For start-stop flushing (Tornado Solo or Tornado Stop)  
Front side activation

**The product contains**

All parts required for installation and mounting are supplied with the product  
Supporting frame, two fixing elements, adjusting screws

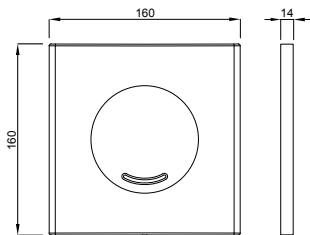
Suitable for flushing cisterns 9021 (Tornado start-stop), 9022 (Tornado Duo)

Model	Colour	ID No.	EAN code
Tornado Duo	white	195387	3838912126108
Tornado Duo	matt chrome	195521	3838912137524
Tornado Duo	gloss chrome	195520	3838912137517
Tornado Stop	white	195385	3838912126016
Tornado Stop	matt chrome	195519	3838912137203
Tornado Stop	gloss chrome	195518	3838912137128
Tornado Solo	white	196739	3838912495303
Tornado Solo	matt chrome	196768	3838912496072
Tornado Solo	gloss chrome	196767	3838912496065

Packaging: 4 pcs/carton



#### Technical drawing



ID No.: 7030418201

### OPAL UR

#### Installation method

For installation onto LIV-FIX urinal elements with a flushing function

#### Properties

Material: high-quality plastic

Colour: white

For LIV-FIX urinal element (identification No. 8050452757)

#### Special features

Simple installation and maintenance

#### The product contains

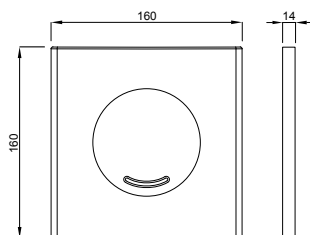
All parts required for fixing are supplied with the product

Model	Colour	ID No.	EAN code
Opal Ur	white	7030418201	8711778216402

Packaging: 20 pcs/carton



#### Technical drawing



ID No.: 4060418231



ID No.: 4060418251

### VERIA UR

#### Installation method

For installation onto LIV-FIX urinal elements with a flushing function

#### Properties

Material: high-quality plastic

Colour: matt chrome, gloss chrome

For LIV-FIX urinal element (identification No. 8050452757)

#### Special features

Simple installation and maintenance

#### The product contains

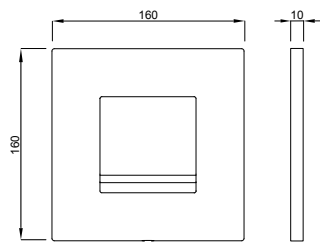
All parts required for fixing are supplied with the product

Model	Colour	ID No.	EAN code
Veria Ur	matt chrome	4060418231	8711778213142
Veria Ur	gloss chrome	4060418251	8711778213159

Packaging: 20 pcs/carton



#### Technical drawing



ID. No.: 7030418001

### ONYX UR

#### Installation method

For installation onto LIV-FIX urinal elements with a flushing function

#### Properties

Material: high-quality plastic

Colour: white

For LIV-FIX urinal element (identification No. 8050452757)

#### Special features

Simple installation and maintenance

#### The product contains

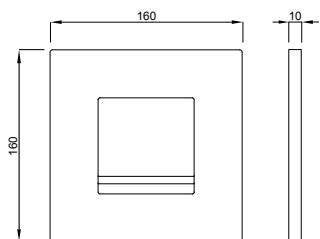
All parts required for fixing are supplied with the product

Model	Colour	ID No.	EAN code
Onyx Ur	white	7030418001	8711778216419

Packaging: 20 pcs/carton



#### Technical drawing



ID. No.: 4060418031



ID. No.: 4060418051

### ARTE UR

#### Installation method

For installation onto LIV-FIX urinal elements with a flushing function

#### Properties

Material: high-quality plastic

Colour: matt chrome, gloss chrome

For LIV-FIX urinal element (identification No. 8050452757)

#### Special features

Simple installation and maintenance

#### The product contains

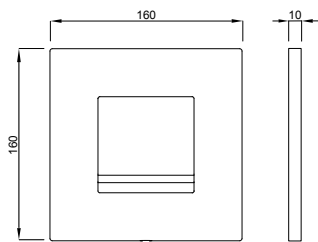
All parts required for fixing are supplied with the product

Model	Colour	ID No.	EAN code
Arte Ur	matt chrome	4060418031	8711778213067
Arte Ur	gloss chrome	4060418051	8711778213074

Packaging: 20 pcs/carton



#### Technical drawing



ID. No.: 4060418601



ID. No.: 4060418631



ID. No.: 4060418651

### ARTE UR METAL

#### Installation method

For installation onto LIV-FIX urinal elements with a flushing function

#### Properties

Material: stainless metal (zinc alloy)

Colour: white, matt chrome, gloss chrome

For LIV-FIX urinal element (identification No. 8050452757)

#### Special features

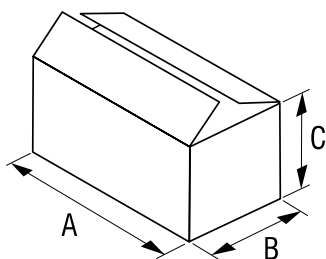
Simple installation and maintenance

#### The product contains

All parts required for fixing are supplied with the product

Model	Colour	ID No.	EAN code
Arte Ur Metal	white	4060418601	8711778213166
Arte Ur Metal	matt chrome	4060418631	8711778213173
Arte Ur Metal	gloss chrome	4060418651	8711778213180

Packaging: 20 pcs/carton



	UNIT					
	SPV	NZ-1	NZ-7	NZ-8	NZ-9	NZ-10
A (mm)	780	600	380	310	320	194
B (mm)	380	295	290	265	265	144
C (mm)	480	340	435	340	120	116



**PLUG Ø 70 mm, AUTOMATIC**

For bath tubs

Identification No.: 196777

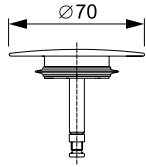
Weight: 39 g

Packaging: 10 pcs/NZ-9



3 838912 496409

Technical drawing



**PLUG Ø 45 mm, AUTOMATIC**

For bath tubs

Identification No.: 196897

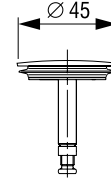
Weight: 54 g

Packaging: 10 pcs/NZ-10



3 838912 1501707

Technical drawing



**PLASTIC DRAIN PLUG Ø 45,5 mm**

For sinks

Identification No.: 196894

Weight: 15 g

Packaging: 50 pcs/NZ-9



3 838912 1501677

Technical drawing



**PLASTIC DRAIN PLUG Ø 38 mm**

For washbasins

Identification No.: 196895

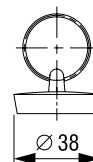
Weight: 12 g

Packaging: 50 pcs/NZ-9



3 838912 1501684

Technical drawing



**GRID Ø 70 mm**

For sinks

Identification No.: 196898

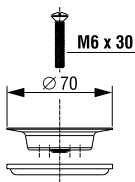
Weight: 39 g

Packaging: 50 pcs/NZ-9



3 838912 1501714

Technical drawing



**GRID Ø 60 mm**

For washbasins

Identification No.: 195220

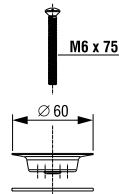
Weight: 30 g

Packaging: 50 pcs/NZ-9



3 838912 1108616

Technical drawing



**RUBBER SEAL Ø 40/54 mm**

For washbasins

Identification No.: 195513

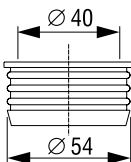
Weight: 32 g

Packaging: 50 pcs/NZ-8



3 838912 1136503

Technical drawing



**TRAP SEAL FOR URINALS  
Ø 56/65 mm**

For urinals

Identification No.: 195209

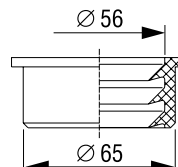
Weight: 52 g

Packaging: 25 pcs/NZ-9



3 838912 1105417

Technical drawing





**NUT Ø 40 mm**

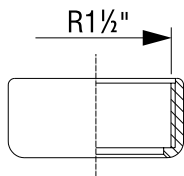
For sinks

**Identification No.: 195210**

Weight: 12 g

Packaging: 25 pcs/NZ-9

Technical drawing



**RECTANGULAR SEAL 62 x 38 mm**

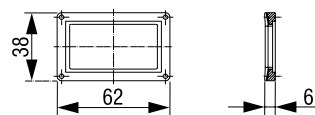
For sinks

**Identification No.: 195388**

Weight: 8 g

Packaging: 20 pcs/NZ-1

Technical drawing



**SEAL Ø 60/42 mm**

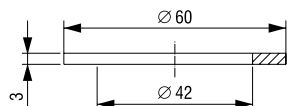
For washbasins

**Identification No.: 195884**

Weight: 7 g

Packaging: 20 pcs/NZ-10

Technical drawing



**SEAL FOR PEAR-SHAPED TRAP Ø 100 mm**

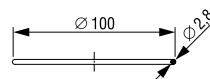
For traps

**Identification No.: 195196**

Weight: 4 g

Packaging: 20 pcs/NZ-10

Technical drawing



**SEAL - BARRIER Ø 30 mm**

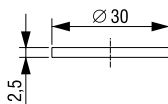
For washbasins

**Identification No.: 195986**

Weight: 10g

Packaging: 20 pcs/NZ-10

Technical drawing



**CONICAL SEAL Ø 40 mm**

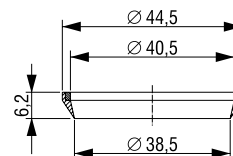
Universal

**Identification No.: 195773**

Weight: 10g

Packaging: 20 pcs/NZ-9

Technical drawing



**CONICAL SEAL Ø 30 mm**

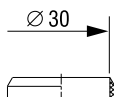
For washbasins

**Identification No.: 195218**

Weight: 3 g

Packaging: 50 pcs/NZ-9

Technical drawing



**FLAT SEAL Ø 36/44 mm**

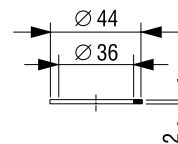
For discharge valves

**Identification No.: 195193**

Weight: 3 g

Packaging: 50 pcs/NZ-9

Technical drawing





**CONICAL SEAL Ø 24 mm**

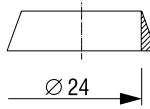
For washbasins

Identification No.: 195368

Weight: 4 g Packaging: 20 pcs/NZ-10



Technical drawing



**SEAL FOR A PEAR-SHAPED TRAP Ø 65 mm**

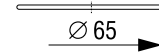
For sinks

Identification No.: 195369

Weight: 2 g  
Packaging: 20 pcs/NZ-10



Technical drawing



**SEMI-ROUND SEAL Ø 70 mm**

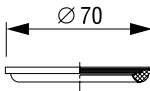
For discharge valves

Identification No.: 195192

Weight: 11 g  
Packaging: 50 pcs/NZ-9



Technical drawing



**BUTTON SEAL, AUTOMATIC, Ø 44 mm**

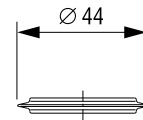
For bath tubs

Identification No.: 195223

Weight: 4 g  
Packaging: 20 pcs/NZ-10



Technical drawing



**SEAL Ø 85/60 mm**

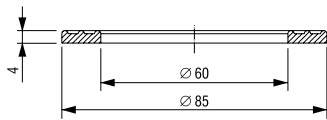
For shower bases

Identification No.: 195885

Weight: 15 g  
Packaging: 20 pcs/NZ-10



Technical drawing



**FLEXIBLE TUBE WITH STRAIGHT CONNECTIONS**

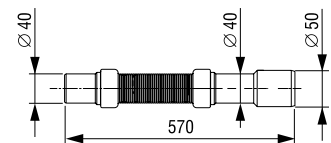
For sinks

Identification No.: 196551

Weight: 127 g  
Packaging: 50 pcs/SPV



Technical drawing



**FLEXIBLE TUBE WITH A CRIMPED CONNECTING ELBOW**

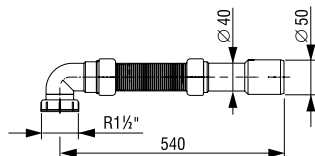
For sinks

Identification No.: 196678

Weight: 149 g  
Packaging: 50 pcs/SPV



Technical drawing



**FLEXIBLE TUBE WITH CONNECTING ELBOW**

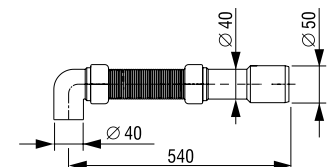
For sinks

Identification No.: 196550

Weight: 133 g  
Packaging: 50 pcs/SPV



Technical drawing



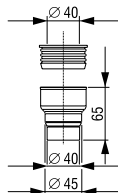




**DOUBLE-SIDED MS-BUSHING, SEAL, RUBBER, Ø 40/54 mm**  
Universal

Identification No.: **195514**  
Weight: 118 g  
Packaging: 40 pcs/NZ-8

Technical drawing



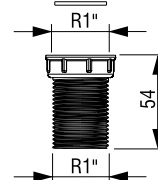
3 838912 136510



**EXTENSION R1 FOR WASHING MACHINE TRAP**  
For washing machines

Identification No.: **195613**  
Weight: 27 g  
Packaging: 20 pcs/NZ-9

Technical drawing



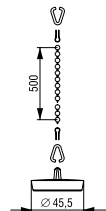
3 838912 145727



**DRAIN PLUG WITH A CHAIN FOR BATH TUB**  
For bath tubs

Identification No.: **196896**  
Weight: 27 g  
Packaging: 50 pcs/NZ-9

Technical drawing



3 838912 1501691



**DECORATIVE TRAP LID FOR SHOWER BASE, Ø 115 mm**  
For shower bases

Identification No.: **238593**  
Weight: 74 g  
Packaging: 20 pcs/NZ-9



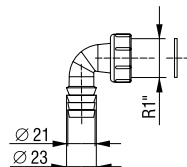
3 838912 1013910



**WASHING MACHINE CONNECTOR, COMPL.**  
For washing machines

Identification No.: **197039**  
Weight: 18 g  
Packaging: 100 pcs/NZ-8

Technical drawing



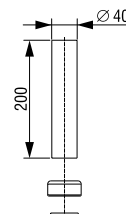
3 838912 1654137



**STRAIGHT TUBE Ø 40 mm**  
Universal

Identification No.: **195269**  
Weight: 67 g  
Packaging: 50 pcs/NZ-9

Technical drawing



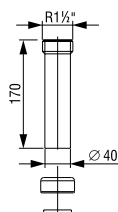
3 838912 113726



**THREADED TUBE Ø 40 mm**  
For sinks

Identification No.: **195997**  
Weight: 50 g  
Packaging: 50 pcs/NZ-7

Technical drawing



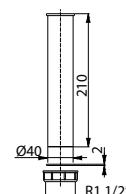
3 838912 171894



**TUBE WITH EDGE Ø 40 mm**  
For sinks

Identification No.: **195197**  
Weight: 64 g  
Packaging: 50 pcs/NZ-7

Technical drawing



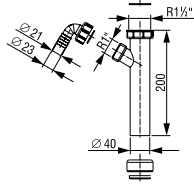
3 838912 1102805



**EXTENSION Ø 40 mm with one dishwasher connection**  
For sinks

Identification No.: **195217**  
Weight: 94 g  
Packaging: 25 pcs/NZ-1

Technical drawing



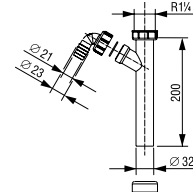
3 838912 108517



**EXTENSION Ø 32 mm with one dishwasher connection**  
For sinks

Identification No.: **195675**  
Weight: 83 g  
Packaging: 25 pcs/NZ-8

Technical drawing



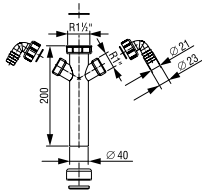
3 838912 1148223



**EXTENSION Ø 40 mm with two dishwasher connections**  
For sinks

Identification No.: **195224**  
Weight: 113 g  
Packaging: 25 pcs/NZ-7

Technical drawing



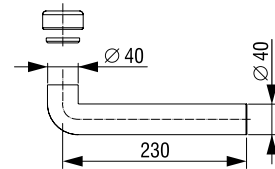
3 838912 109101



**90° ELBOW WITHOUT THE EDGE, COMPL.**  
For sinks

Identification No.: **196765**  
Weight: 83 g  
Packaging: 50 pcs/NZ-1

Technical drawing



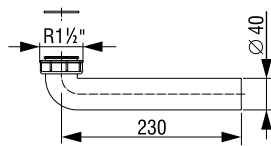
3 838912 1495969



**90° ELBOW WITH THE EDGE, COMPL.**  
For sinks

Identification No.: **195198**  
Weight: 86 g  
Packaging: 50 pcs/NZ-1

Technical drawing



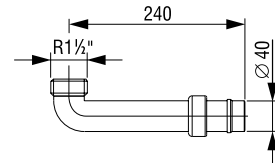
3 838912 102812



**90° THREADED ELBOW, COMPL.**  
For sinks

Identification No.: **195999**  
Weight: 80 g  
Packaging: 50 pcs/NZ-1

Technical drawing



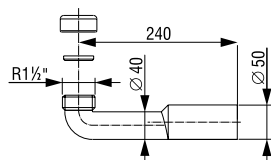
3 838912 179586



**90° ELBOW, Ø 40/50 mm, COMPL.**  
Universal

Identification No.: **195268**  
Weight: 95 g  
Packaging: 50 pcs/NZ-1

Technical drawing



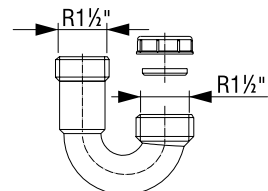
3 838912 113702



**180° CURVE**  
For washing machines

Identification No.: **195219**  
Weight: 61 g  
Packaging: 25 pcs/NZ-8

Technical drawing



3 838912 108609

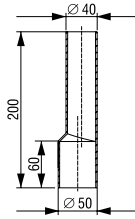
**STRAIGHT TUBE Ø 40/50 mm**

Universal

**Identification No.:** 195987

Weight: 49 g

Packaging: 25 pcs/NZ-8

**Technical drawing**

3 838912 1496409

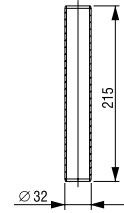
**STRAIGHT TUBE Ø 32 mm**

For washbasins

**Identification No.:** 195988

Weight: 37 g

Packaging: 25 pcs/NZ-8

**Technical drawing**

3 838912 1496409

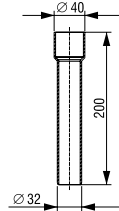
**STRAIGHT TUBE Ø 40/32 mm**

For washbasins

**Identification No.:** 195989

Weight: 37 g

Packaging: 25 pcs/NZ-8

**Technical drawing**

3 838912 161420

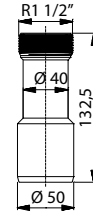
**DRAIN NOZZLE Ø 40/50 mm**

For sinks

**Identification No.:** 207662

Weight: 41 g

Packaging: 50 pcs/NZ-7

**Technical drawing**

3 838912 008725

**CRIMPED TUBE Ø 32 mm**

For washbasins

**Identification No.:** 207661

Weight: 17 g

Packaging: 50 pcs/NZ-7

**Technical drawing**

3 838912 008718

**FINNED DRAIN PIPE,  
L = 1500 mm, Ø 20 mm**

For washing machines

**Identification No.:** 196560

Weight: 125 g

Packaging: 50

**Technical drawing**

3 838912 488725

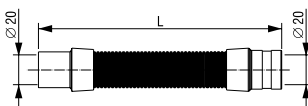
**FINNED DRAIN PIPE,  
L = 3000 mm, Ø 20 mm**

For washing machines

**Identification No.:** 196558

Weight: 221 g

Packaging: 35 pcs/SPV

**Technical drawing**

3 838912 488701

## Certificate of warranty of Fluidmaster Ltd. Guarantees

The warranty terms apply for the below listed products sold under trademark LIV.

Subject to what is provided below, the Seller guarantees the soundness and quality of the products supplied by it for the following periods:

- Cisterns: ten (10) years, with the exception of rubber parts and electronic items (for flushing techniques), for which a guarantee period of two (2) years and one (1) year respectively applies.
- Sanitary ceramics: five (5) years.
- Connectors and discharge elbows: ten (10) years.
- Toilet seats: five (5) years.
- Acrylic shower trays and baths: ten (10) years.
- Whirlpool systems: two (2) years.
- Glass products: two (2) years.
- Traps: two (2) years.
- Shower drains: ten (10) years

The guarantee period given by the Seller is effective from the date on Seller's invoice.

The Seller may specify a different guarantee period for its products in writing.

Minor variations in quality, dimensions and colour which are technically unavoidable and generally permitted in commercial practice, and normal wear on products and product parts, cannot constitute grounds for a claim under this article.

The Buyer only has a claim against the Seller under this article if the Buyer can produce to the Seller a purchase receipt or invoice for the supplied products.

The guarantee does not apply if the defect, fault or related loss incurred is due to failure to observe the relevant installation instructions, due to an extraneous cause or improper use, or due to repairs or changes having been made to the product by a third party without the Seller's permission in writing.

The Seller will at its choice either repair faulty products free of charge within the guarantee period or replace the products in question with other sound products.

The guarantee does not apply to products that the Seller has expressly excluded from the guarantee, nor to products consisting of remainders or special batches unless the Seller has expressly stated that they are covered by guarantee.



A series of horizontal lines for writing, starting from the top line and extending to the bottom of the page. The lines are evenly spaced and cover the majority of the page area.



A series of horizontal lines for writing, starting from the top line and extending to the bottom of the page. The lines are evenly spaced and cover the majority of the page's width.





A Fluidmaster Family Brand



Fluidmaster d.o.o.  
Industrijska cesta 2  
SI-6230 Postojna

T +386 5 728 37 00  
F +386 5 728 38 11

sanitary.liv@fluidmaster.com  
[www.liv.si](http://www.liv.si), [en.liv.si](http://en.liv.si)



671829 0123